

SMD type NTC Thermistor

Application

Equipment related mobile communication(TCXO, RF circuits, LCD panel, Battery pack)

Computer related equipment, Car audio / Optical communication related equipment

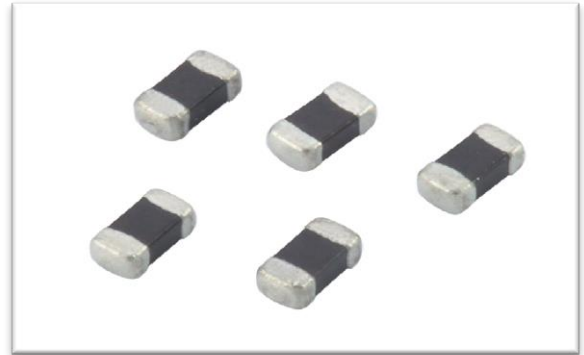
Features

Excellent endurance against thermal shock

Excellent stability at high temperature

Small precision type

Competitive price

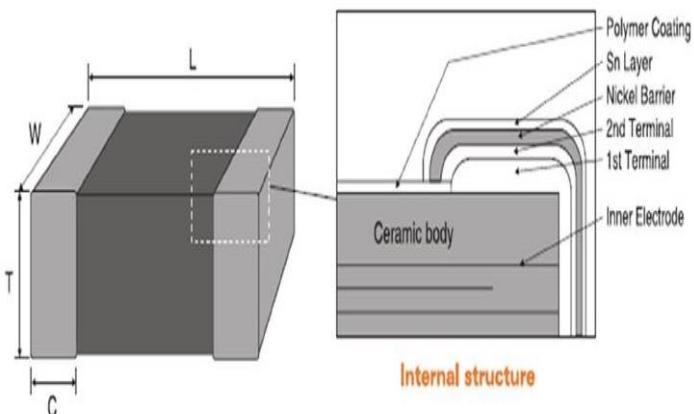


Numbering

ECTH	100505	103	F	3435	F	S	T
①	②	③	④	⑤	⑥	⑦	⑧

1. Series : SMD Type Thermistor ECTH Series
2. Dimension : 100505(1.0mm x 0.5mm x 0.5mm)
3. Resistance value : 103($10 \times 10^3\Omega$) at 25°C
4. Resistance tolerance : F($\pm 1\%$), G($\pm 2\%$), H($\pm 3\%$), J($\pm 5\%$), S(Special)
5. B constant value : 3435k(25/85)
6. B tolerance : F($\pm 1\%$), G($\pm 2\%$), H($\pm 3\%$)
7. Type : S(Pb free)
8. Packing : T(Paper carrier Tape & Plastic reel), B(Bulk)

Shape & Dimension



Type	L(mm)	W(mm)	T(mm)	C(mm)
0603	0.60±0.03	0.30±0.03	0.30±0.03	0.15±0.05
1005	1.00±0.05	0.50±0.05	0.50±0.05	0.25±0.10
1608	1.60±0.10	0.80±0.10	0.80±0.10	0.40±0.20
2012	2.00±0.20	1.25±0.20	0.80±0.20	0.50±0.20

SMD type NTC Thermistor

0603 Series

No.	Size (mm)	Electrical Specifications						part No.
		R[Ω]	ΔR[%]	B25/85(K)	ΔB[%]	δ(mW/°C)	τ(sec)	
1	0603	10,000	3	3435	3	1	3	ECTH060303 103H3435HST
2	0603	10,000	3	4100	3	1	3	ECTH060303 103H4100HST
3	0603	22,000	3	3435	3	1	3	ECTH060303 223H3435HST
4	0603	47,000	3	4050	3	1	3	ECTH060303 473H4050HST
5	0603	100,000	3	4250	3	1	3	ECTH060303 104H4250HST
6	0603	100,000	3	4485	3	1	3	ECTH060303 104H4485HST

Sentrion can customize this part for you. Contact us for available options.

1005 Series

No.	Size (mm)	Electrical Specifications						part No.
		R[Ω]	ΔR[%]	B25/85(K)	ΔB[%]	δ(mW/°C)	τ(sec)	
1	1005	33	3	3250	3	1	3	ECTH100505 330H3250HST
2	1005	47	3	3250	3	1	3	ECTH100505 470H3250HST
3	1005	68	3	3250	3	1	3	ECTH100505 680H3250HST
4	1005	100	3	3250	3	1	3	ECTH100505 101H3250HST
5	1005	1,000	3	4100	3	1	3	ECTH100505 102H4100HST
6	1005	2,000	3	4100	3	1	3	ECTH100505 202H4100HST
7	1005	2,000	3	4520	3	1	3	ECTH100505 202H4520HST
8	1005	2,200	3	4100	3	1	3	ECTH100505 222H4100HST
9	1005	4,700	3	4100	3	1	3	ECTH100505 472H4100HST
10	1005	10,000	3	3435	3	1	3	ECTH100505 103H3435HST
11	1005	10,000	3	3830	3	1	3	ECTH100505 103H3830HST
12	1005	10,000	3	3950	3	1	3	ECTH100505 103H3950HST
13	1005	10,000	3	4100	3	1	3	ECTH100505 103H4100HST
14	1005	10,000	3	4550	3	1	3	ECTH100505 103H4550HST
15	1005	15,000	3	3920	3	1	3	ECTH100505 153H3920HST
16	1005	22,000	3	3800	3	1	3	ECTH100505 223H3800HST
17	1005	22,000	3	4550	3	1	3	ECTH100505 223H4550HST
18	1005	33,000	3	4050	3	1	3	ECTH100505 333H4050HST
19	1005	47,000	3	3920	3	1	3	ECTH100505 473H3920HST
20	1005	47,000	3	4050	3	1	3	ECTH100505 473H4050HST
21	1005	47,000	3	4550	3	1	3	ECTH100505 473H4550HST
22	1005	68,000	3	4150	3	1	3	ECTH100505 683H4150HST
23	1005	100,000	3	4050	3	1	3	ECTH100505 104H4050HST
24	1005	100,000	3	4600	3	1	3	ECTH100505 104H4600HST
25	1005	150,000	3	4050	3	1	3	ECTH100505 154H4050HST

Sentriion can customize this part for you. Contact us for available options.

1608 Series

No.	Size (mm)	Electrical Specifications						part No.
		R[Ω]	ΔR[%]	B25/85(K)	ΔB[%]	δ(mW/°C)	τ(sec)	
1	1608	47	3	3200	3	2	5	ECTH160808 470H3200HST
2	1608	68	3	3200	3	2	5	ECTH160808 680H3200HST
3	1608	100	3	3250	3	2	5	ECTH160808 101H3250HST
4	1608	220	3	3250	3	2	5	ECTH160808 221H3250HST
5	1608	570	3	3250	3	2	5	ECTH160808 571H3250HST
6	1608	1,000	3	4150	3	2	5	ECTH160808 102H4150HST
7	1608	2,000	3	4150	3	2	5	ECTH160808 202H4150HST
8	1608	3,000	3	4150	3	2	5	ECTH160808 302H4150HST
9	1608	4,700	3	4150	3	2	5	ECTH160808 472H4150HST
10	1608	4,700	3	4500	3	2	5	ECTH160808 472H4500HST
11	1608	5,000	3	3520	3	2	5	ECTH160808 502H3520HST
12	1608	5,000	3	3970	3	2	5	ECTH160808 502H3970HST
13	1608	6,800	3	3830	3	2	5	ECTH160808 682H3830HST
14	1608	10,000	3	3435	3	2	5	ECTH160808 103H3435HST
15	1608	10,000	3	3800	3	2	5	ECTH160808 103H3800HST
16	1608	10,000	3	3970	3	2	5	ECTH160808 103H3970HST
17	1608	10,000	3	4050	3	2	5	ECTH160808 103H4050HST
18	1608	10,000	3	4550	3	2	5	ECTH160808 103H4550HST
19	1608	12,000	3	3830	3	2	5	ECTH160808 123H3830HST
20	1608	30,000	3	3950	3	2	5	ECTH160808 303H3950HST
21	1608	47,000	3	3950	3	2	5	ECTH160808 473H3950HST
22	1608	47,000	3	4050	3	2	5	ECTH160808 473H4050HST
23	1608	47,000	3	4550	3	2	5	ECTH160808 473H4550HST
24	1608	68,000	3	4150	3	2	5	ECTH160808 683H4150HST
25	1608	100,000	3	3970	3	2	5	ECTH160808 104H3970HST

Sentriion can customize this part for you. Contact us for available options.

2012 Series

No.	Size (mm)	Electrical Specifications						part No.
		R[Ω]	ΔR[%]	B25/85(K)	ΔB[%]	δ(mW/°C)	τ(sec)	
1	2012	2,000	3	4100	3	3	7.5	ECTH201208 202H4100HST
2	2012	2,200	3	3520	3	3	7.5	ECTH201208 222H3520HST
3	2012	2,200	3	4100	3	3	7.5	ECTH201208 222H4100HST
4	2012	3,300	3	3750	3	3	7.5	ECTH201208 332H3750HST
5	2012	10,000	3	3435	3	3	7.5	ECTH201208 103H3435HST
6	2012	10,000	3	3970	3	3	7.5	ECTH201208 103H3970HST
7	2012	10,000	3	4050	3	3	7.5	ECTH201208 103H4050HST
8	2012	10,000	3	3750	3	3	7.5	ECTH201208 103H3750HST
9	2012	20,000	3	3950	3	3	7.5	ECTH201208 203H3950HST
10	2012	30,000	3	3950	3	3	7.5	ECTH201208 303H3950HST
11	2012	47,000	3	3950	3	3	7.5	ECTH201208 473H3950HST
12	2012	4,050	3	4050	3	3	7.5	ECTH201208 473H4050HST
13	2012	3,800	3	3800	3	3	7.5	ECTH201208 683H3800HST
14	2012	4,050	3	4050	3	3	7.5	ECTH201208 104H4050HS
15	2012	5,150	3	5150	3	3	7.5	ECTH201208 505H5150HST

Sentrion can customize this part for you. Contact us for available options.