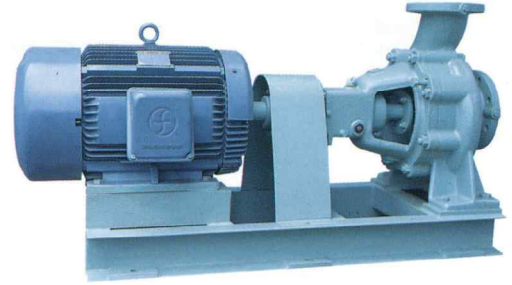


# EHC

Horizontal, Single Stage,  
Volute Casing Centrifugal Pumps,  
according to the Korean Standard(KS) B 7501



KS.B 7501에 따른 횡축, 단단, 볼류트 케이싱 원심 펌프

10Bar / PN 10Bar

## 용도 및 적용분야 / Use and applications

맑은 액체용(청수, 해수, 화학액, 기름, 알카리액, 응축수 등) 광범위한 사용영역의 일반용도 펌핑에 사용된다.

일반산업용, 화학공업용, 가정용수공급용, 빌딩용, 급수시설용, 수처리용, 관개용 및 선박용(청수 또는 가열순환용 등)

For clean fluids (water, sea water, chemicals, oil, lyes, condensate, etc.)

For general purpose pumping in a wide range of services : general industries, chemical industries, domestic water supply, buildings, waterworks, water treatment, irrigation, marine use(fresh water, cooling water, sanitary, G.S, Ballast...) drainage, air conditioning, spray, swimming pool, dust removing & sprinkler, cooling or heating circulation etc.

## 설계 및 구조적 특징 / Design and construction features

1. 넓은 사용영역에 걸쳐 효율이 높고, 운전이 정숙하며 고장이 적다.
  2. 펌프 부품의 최대의 호환성
  3. 라디알 방향 케이싱 분할.
  4. 임펠러 후방 취출 구조.
  5. 플랜지는 흡토출 공히 KS 또는 JIS, 10kg/cm<sup>2</sup>급, FF이다.
  6. 동평형된 임펠러.
  7. 볼베어링 5300, 6300, 7300 계열 등을 사용.  
윤활은 그리스 또는 오일 배쓰식임.
  8. 무냉각 스테핑 박스, 팩킹링 또는 메카니칼 씰 사용
  9. 구동축에서 보아 우회전.
  10. 상하면을 기계가공한 용접 구조의 강재 베이스 플레이트.
  11. 수력특성 및 구조개선을 위한 정밀 셸모우드 주조.
- ※ 상기 사양범위를 초과하는 대형 펌프도 제작합니다.

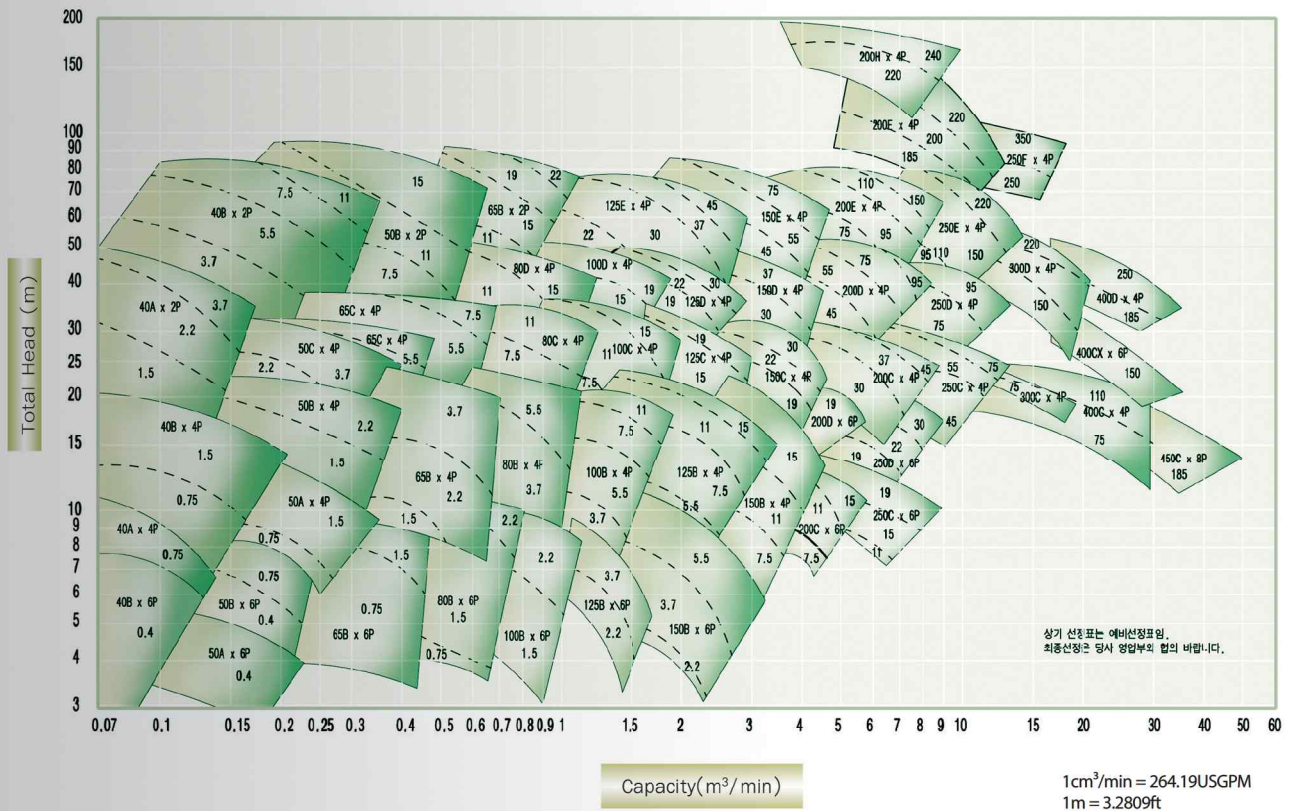
1. Good efficiency smooth operations, and trouble free operation throughout a wide range of hydraulic coverage.
  2. Maximum interchange abilities of pump parts.
  3. Radially split volute casing.
  4. Impeller back pull-out arrangement.
  5. Flanges are KS or JIS, 10kg / cm<sup>2</sup> ratings. FF.
  6. Dynamically balanced impeller.
  7. Ball bearings series 5300, 6300, and/or 7300 etc.  
Grease contained type or oil bath type lubrication.
  8. Uncooled stuffing box. Packing rings or mechanical seal.
  9. Clock-wise(CW) rotation when viewed form the drive end.
  10. welded steel base plate, machined both up side and bottom side.
  11. Precision shell-moulded casting for better hydraulics and consistent casting integrity.
- \* The out of the above range can be supplied according to customer's order placement.

## 형식 표시 방법 / Type nomenclature

- ▶ 시리즈(Series) \_\_\_\_\_
- ▶ 사이즈/흡입 구경(Size/Nominal dia. of suction nozzle) \_\_\_\_\_
- ▶ 양정 등급(Head ratings) : A,B,C..... \_\_\_\_\_

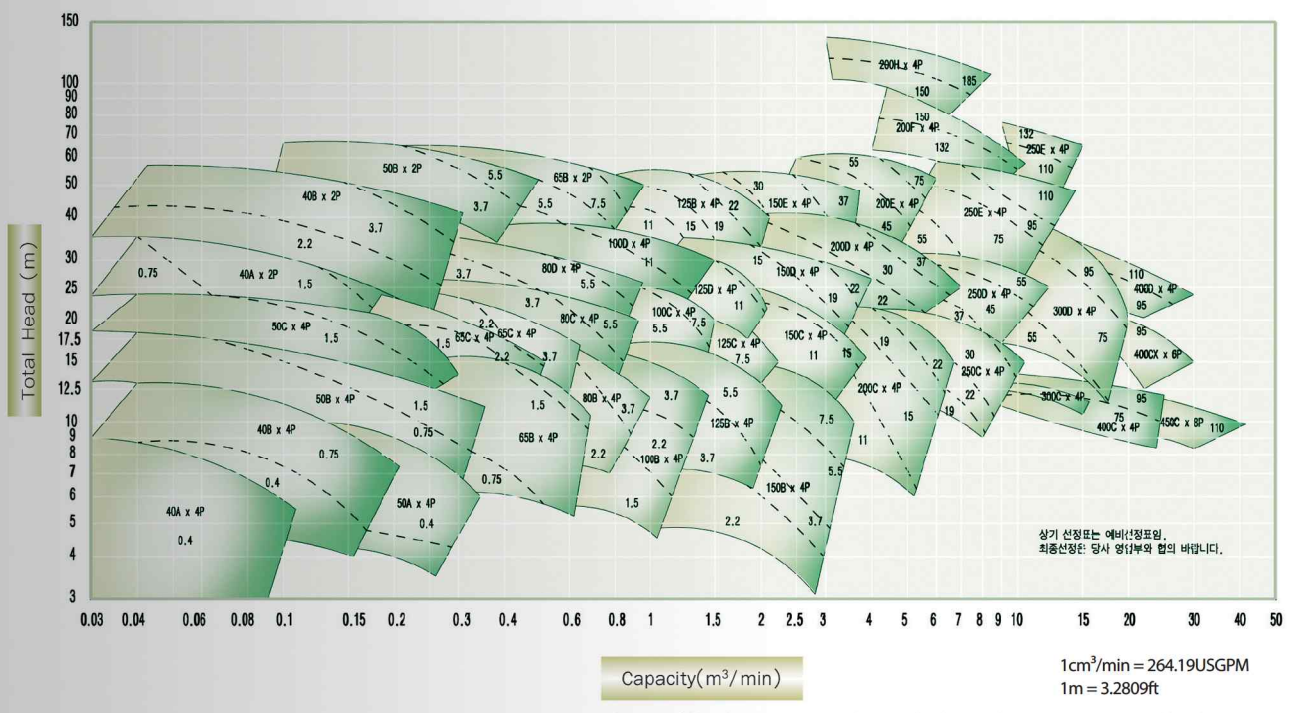
**EHC-50B**

선정표(60HZ에서) / Performance selection chart(60Hz)



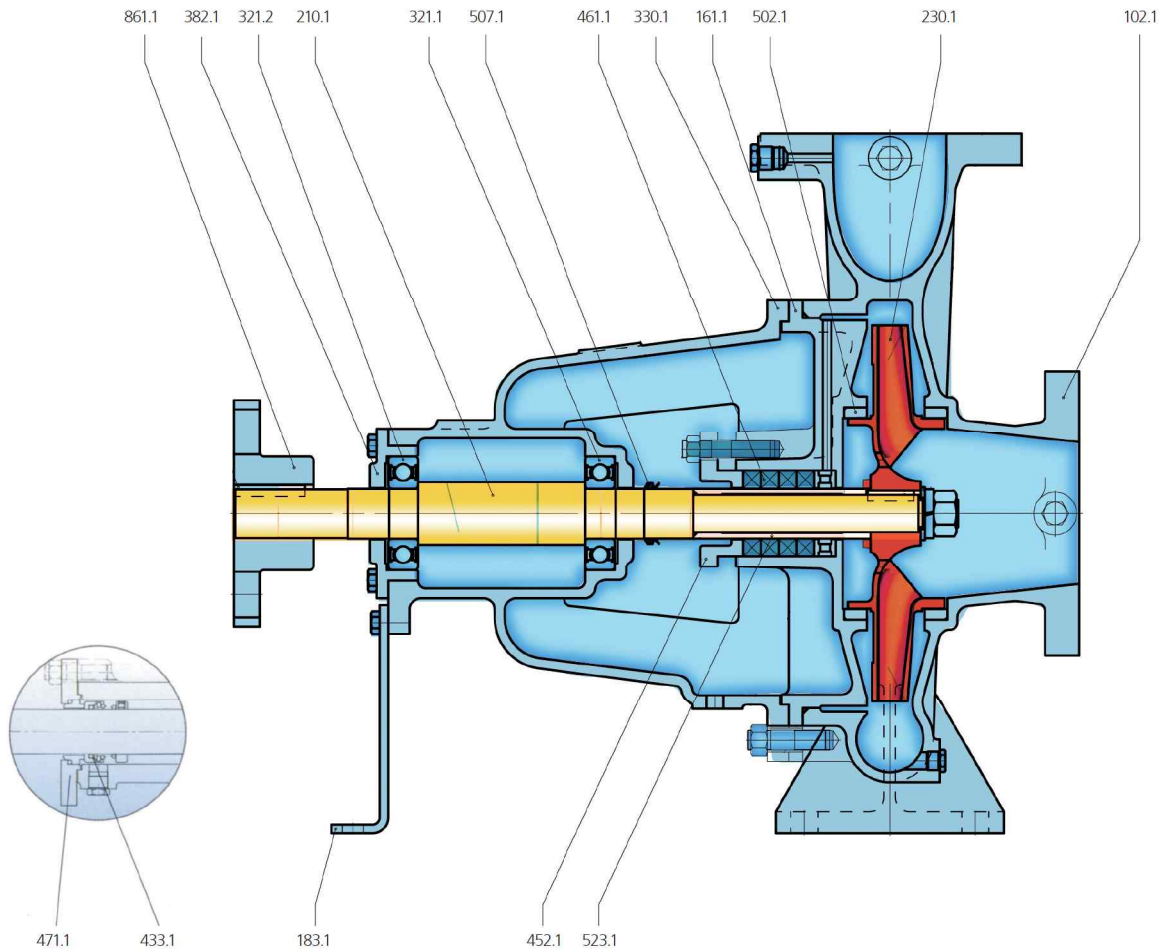
\* The out of the above range can be supplied according to customer's order placement.

선정표(50HZ에서) / Performance selection chart(50Hz)



\* The out of the above range can be supplied according to customer's order placement.

## 조립 단면도 / Sectional drawing



• 치수는 참고용임.

NO.	NAME OF PARTS					
	VOLUTE CASING	SHAFT	IMPELLER	CASING WEARING RING	SHAFT SLEEVE	
M A T E R I A L  C O D E	1	GC 200	SM 45C	GC 200	STS 304	
	2		CAC 406	CAC 406		
	3			STS 304		
	4		SM 45C	SSC 13		
	5		STS 304	CAC 502A		CAC 406
	6			CAC 703		
	7			SSC 13		SSC 13
	8	SSC 14		SSC 14	SSC 14	
	9	SSC 14		SSC 14	SSC 14	STS 316
	10	GCD 450	STS 316	SSC 14	SSC 14	STS 316
	11	SC 450	STS 304	SSC 13	SSC 13	STS 304
	12					

NO.	NAME	NO.	NAME
102.1	VOLUTE CASING	452.1	PACKING GLAND
161.1	CASING COVER	461.1	PACKING
183.1	SUPPORT	502.1	CASING WEARING RING
210.1	SHAFT	507.1	THROWER
230.1	IMPELLER	523.1	SHAFT SLEEVE
321.1	BALL BEARING	433.1	MECHANICAL SEAL
321.2	BALL BEARING	471.1	SEAL COVER
330.1	BEARING HOUSING	861.1	COUPLING
382.1	BEARING CASE		



외형치수도 / Outline dimensions

Fig "A"

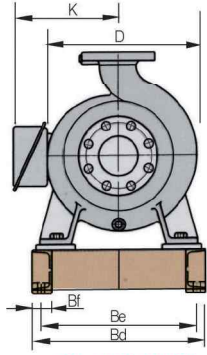
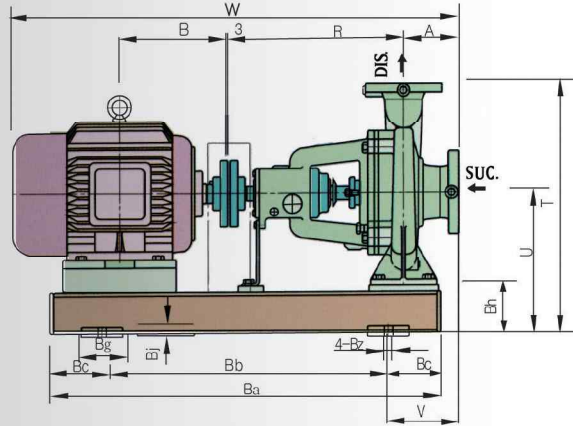


Fig "A" & "B"

Fig "B"

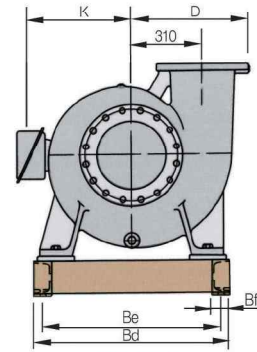
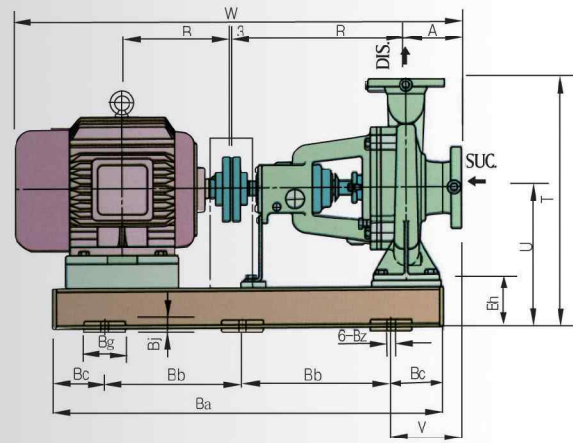


Fig "C"

• Dimensions for the standard unit driven by ICE standard motor.

TYPE	FIG	MOTOR FRAME NO.	BORE		PUMP & MOTOR DIMENSIONS(MM)								BASE PLATE DIMENSIONS(MM)						WEIGHT(KG)								
			SUC.	DIS.	A	B	D	K	R	T	U	V	W	Ba	Bb	Bc	Bd	Be	Bf	Bg	Bh	Bj	Bz	PUMP	MOTOR	BASE	TOTAL
EHC40A	A	71M	Ø 40	Ø 32	80	120	207	145	360	387	227	120	683	600	400	100	290	255	40	80	95	25	15	24	9	22	55
	A	80M			80	140	207	159	360	387	227	125	716	700	450	125	290	255	40	80	95	25	15	24	15	22	61
	A	90L			80	168.5	207	174	360	387	227	145	778	700	450	125	290	255	40	80	95	25	15	24	24	23	71
	A	100L			80	193	207	196	360	387	227	145	815	700	450	125	290	255	40	80	95	25	15	24	30	24	78
	A	112M			80	200.5	207	206	360	387	227	145	820	700	450	125	290	255	40	80	95	25	15	24	39	25	88
	A	132S			80	239	207	229	360	387	227	170	882	800	500	150	315	280	40	80	95	25	15	24	56	23	103
EHC40B	A	132M	Ø 40	Ø 32	80	258	207	229	360	387	227	170	920	800	500	150	315	280	40	80	95	25	15	24	70	23	117
	A	71M			80	120	260	145	360	435	255	120	683	600	400	100	315	280	40	80	95	25	15	32	9	23	64
	A	80M			80	140	260	159	360	387	227	120	716	650	400	100	315	280	40	80	95	25	15	32	15	23	70
	A	90L			80	168.5	260	174	360	435	255	145	778	700	450	125	315	280	40	80	95	25	15	32	24	25	81
	A	100L			80	193	260	196	360	435	255	145	815	700	450	125	315	280	40	80	95	25	15	32	30	28	90
	A	112M			80	200.5	260	206	360	435	255	145	820	700	450	125	315	280	40	80	95	25	15	32	39	26	97
EHC50A	A	132S	Ø 50	Ø 40	80	239	260	229	360	435	255	170	882	800	500	150	315	280	40	80	95	25	15	32	56	30	118
	A	132M			80	258	260	229	360	435	255	170	920	800	500	150	315	280	40	80	95	25	15	32	70	30	132
	A	160M			80	323	260	294	360	460	280	195	1026	950	600	175	335	290	50	100	120	25	19	32	109	35	176
	A	160L			80	345	260	294	360	460	280	195	1070	950	600	175	335	290	50	100	120	25	19	32	136	35	203
	A	71M			80	120	228	145	360	387	227	120	683	600	400	100	290	255	40	80	95	25	15	26	9	22	57
	A	80M			80	140	228	159	360	387	227	145	716	700	450	125	290	255	40	80	95	25	15	26	15	22	63
EHC50B	A	90L	Ø 50	Ø 40	80	168.5	228	174	360	387	227	145	778	700	450	125	290	255	40	80	95	25	15	26	24	23	73
	A	100L			80	193	228	196	360	387	227	145	815	700	450	125	290	255	40	80	95	25	15	26	30	24	80
	A	112M			80	200.5	228	206	360	387	227	145	820	700	450	125	290	255	40	80	95	25	15	26	39	25	90
	A	132S			80	239	228	229	360	387	227	170	882	800	500	150	315	280	40	80	95	25	15	26	56	23	105
	A	132M			80	258	228	229	360	387	227	170	920	800	500	150	315	280	40	80	95	25	15	26	70	23	119
	A	80M			100	140	268	159	360	435	255	140	736	650	450	100	315	280	40	80	95	25	15	37	15	23	75
EHC50C	A	90L	Ø 50	Ø 40	100	168.5	268	174	360	435	255	165	798	700	450	125	315	280	40	80	95	25	15	37	24	25	86
	A	100L			100	193	268	196	360	435	255	165	835	700	450	125	315	280	40	80	95	25	15	37	30	28	95
	A	112M			100	200.5	268	206	360	435	255	165	840	700	450	125	315	280	40	80	95	25	15	37	39	26	102
	A	132S			100	239	268	229	360	435	255	190	902	800	500	150	315	280	40	80	95	25	15	37	56	30	123
	A	132M			100	258	268	229	360	435	255	190	940	800	500	150	315	280	40	80	95	25	15	37	70	30	137
	A	160M			100	323	268	294	360	460	280	215	1046	950	600	175	335	290	50	100	120	25	19	37	109	35	181
EHC50C	A	160L	Ø 50	Ø 40	100	345	268	294	360	460	280	215	1090	950	600	175	335	290	50	100	120	25	19	37	136	42	240
	A	180M			100	351	268	317	360	480	300	215	1118	950	600	175	395	350	50	100	140	25	19	37	161	42	240
	A	90L			100	168.5	340	174	360	500	275	152.5	798	700	450	125	350	315	40	80	95	25	15	57	24	27	108
	A	100L			100	193	340	196	360	500	275	152.5	835	750	500	125	350	315	40	80	95	25	15	57	30	29	116
	A	112M			100	200.5	340	206	360	500	275	152.5	840	750	500	125	350	315	40	80	95	25	15	57	39	29	125
	A	132S			100	239	340	229	360	500	275	177.5	902	800	500	150	350	315	40	80	95	25	15	57	56	30	143
EHC50C	A	132M	Ø 50	Ø 40	100	258	340	229	360	500	275	177.5	940	800	500	150	350	315	40	80	95	25	15	57	70	30	157
	A	160M			100	323	340	294	360	525	300	202.5	1046	950	600	175	370	325	50	100	120	25	19	57	109	42	208
	A	160L			100	345	340	294	360	525	300	202.5	1090	950	600	175	370	325	50	100	120	25	19	57	136	42	235
	A	180M			100	351	340	317	360	525	300	227.5	1118	1000	600	200	395	350	50	100	120	25	19	57	161	39	257
	A	180L			100	370	340	312	360	525	300	227.5	1178	1000	600	200	395	350	50	100	120	25	19	57	182	39	278





• Dimensions for the standard unit driven by ICE standard motor.

TYPE	FIG	MOTOR FRAME NO.	BORE		PUMP & MOTOR DIMENSIONS(MM)									BASE PLATE DIMENSIONS(MM)								WEIGHT(KG)					
			SUC.	DIS.	A	B	D	K	R	T	U	V	W	Ba	Bb	Bc	Bd	Be	Bf	Bg	Bh	Bj	Bz	PUMP	MOTOR	BASE	TOTAL
EHC 65B	A	80M	Ø 65	Ø 50	100	140	286	159	360	455	255	140	736	650	450	100	315	280	40	80	95	25	15	43	15	23	81
	A	90L			100	168.5	286	174	360	455	255	165	798	700	450	125	315	280	40	80	95	25	15	43	24	25	92
	A	100L			100	193	286	196	360	455	255	165	835	700	450	125	315	280	40	80	95	25	15	43	30	28	101
EHC 65B	A	112M	Ø 65	Ø 50	100	200.5	286	206	360	455	255	165	840	700	450	125	315	280	40	80	95	25	15	43	39	26	108
	A	132S			100	239	286	229	360	455	255	190	902	800	500	150	315	280	40	80	95	25	15	43	56	30	129
	A	132M			100	258	286	229	360	455	255	190	940	800	500	150	315	280	40	80	95	25	15	43	70	30	143
	A	160M			100	323	286	294	360	480	280	215	1046	950	600	175	335	290	50	100	120	25	19	43	109	35	187
	A	160L			100	345	286	294	360	480	280	215	1090	950	600	175	335	290	50	100	120	25	19	43	136	35	214
	A	180M			100	351	286	317	360	500	300	215	1118	950	600	175	395	350	50	100	140	25	19	43	161	42	246
EHC 65C 65CX	A	90L	Ø 65	Ø 50	100	370	286	312	360	500	300	240	1178	1000	600	200	395	350	50	100	140	25	19	43	182	42	267
	A	100L			100	168.5	340	174	360	500	275	152.5	798	700	450	125	350	315	40	80	95	25	15	60	24	27	111
	A	112M			100	193	340	196	360	500	275	152.5	835	750	500	125	350	315	40	80	95	25	15	60	30	29	119
	A	132S			100	200.5	340	206	360	500	275	152.5	840	750	500	125	350	315	40	80	95	25	15	60	39	29	128
	A	132M			100	239	340	229	360	500	275	177.5	902	800	500	150	350	315	40	80	95	25	15	60	56	30	146
	A	160M			100	258	340	229	360	500	275	177.5	940	800	500	150	350	315	40	80	95	25	15	60	70	30	160
	A	160L			100	323	340	294	360	525	300	202.5	1046	950	600	175	370	325	50	100	120	25	19	60	109	42	211
	A	180M			100	345	340	294	360	525	300	202.5	1090	950	600	175	370	325	50	100	120	25	19	60	136	42	238
	A	180L			100	351	340	317	360	525	300	227.5	1118	1000	600	200	395	350	50	100	120	25	19	60	161	39	260
EHC 80B	A	90L	Ø 80	Ø 65	100	370	340	312	360	525	300	227.5	1178	1000	600	200	395	350	50	100	120	25	19	60	182	39	281
	A	100L			100	168.5	326	174	360	500	275	152.5	798	700	450	125	350	315	40	80	95	25	15	49	24	27	100
	A	112M			100	193	326	196	360	500	275	152.5	835	750	500	125	350	315	40	80	95	25	15	49	30	29	108
	A	132S			100	200.5	326	206	360	500	275	152.5	840	750	500	125	350	315	40	80	95	25	15	49	39	29	117
	A	132M			100	239	326	229	360	500	275	177.5	902	800	500	150	350	315	40	80	95	25	15	49	56	30	135
	A	160M			100	258	326	229	360	500	275	177.5	940	800	500	150	350	315	40	80	95	25	15	49	70	30	149
	A	160L			100	323	326	294	360	525	300	202.5	1046	950	600	175	370	325	50	100	120	25	19	49	109	42	200
	A	180M			100	345	326	294	360	525	300	202.5	1090	950	600	175	370	325	50	100	120	25	19	49	136	42	227
	A	180L			100	351	326	317	360	525	300	227.5	1118	1000	600	200	395	350	50	100	120	25	19	60	161	39	260
EHC 80C	A	112M	Ø 80	Ø 65	100	200.5	364	206	360	570	320	185	950	900	550	175	410	365	50	100	120	25	19	67	39	43	149
	A	132S			100	239	364	229	360	570	320	185	1012	950	600	175	410	365	50	100	120	25	19	67	56	46	169
	A	132M			100	258	364	229	360	570	320	185	1050	950	600	175	410	365	50	100	120	25	19	67	70	46	183
	B	160M			100	323	364	294	360	572	322	140	1156	1050	400	125	410	365	50	100	122	25	19	67	109	50	226
	B	160L			100	345	364	294	360	572	322	140	1200	1050	400	125	410	365	50	100	122	25	19	67	136	50	253
	A	132S			125	239	413	229	470	625	345	210	1037	950	600	175	440	395	50	100	120	25	19	73	56	48	177
	A	132M			125	258	413	229	470	625	345	210	1075	950	600	175	440	395	50	100	120	25	19	73	70	48	191
	B	160M			125	323	413	294	470	625	345	165	1181	1050	400	125	440	395	50	100	120	25	19	73	109	53	235
	B	160L			125	345	413	294	470	625	345	165	1225	1050	400	125	440	395	50	100	120	25	19	73	136	53	262
EHC 80D	B	180M	Ø 80	Ø 65	125	351	413	317	470	625	345	190	1253	1100	400	150	440	395	50	100	120	25	19	73	161	63	297
	B	180L			125	370	413	312	470	625	345	190	1313	1100	400	150	440	395	50	100	120	25	19	73	182	63	318
	A	112M			125	200.5	349	206	470	550	300	225	975	900	550	175	410	365	50	100	120	25	19	76	39	39	154
	A	132S			125	239	349	229	470	550	300	225	1037	950	600	175	410	365	50	100	120	25	19	76	56	39	171
	A	132M			125	258	349	229	470	550	300	225	1075	950	600	175	410	365	50	100	120	25	19	76	70	39	185
	B	160M			125	323	349	294	470	550	300	175	1181	1050	400	125	410	365	50	100	120	25	19	76	109	43	228
	B	160L			125	345	349	294	470	550	300	175	1225	1050	400	125	410	365	50	100	120	25	19	76	136	43	255
	B	180M			125	351	349	317	470	550	300	200	1253	1100	400	150	410	365	50	100	120	25	19	76	161	41	278
	B	180L			125	370	349	312	470	550	300	200	1313	1100	400	150	410	365	50	100	120	25	19	76	182	41	299
EHC 100C	A	132S	Ø 100	Ø 80	125	239	390	229	470	625	345	210	1037	950	600	175	440	395	50	100	120	25	19	68	56	48	172
	A	132M			125	258	390	229	470	625	345	210	1075	950	600	175	440	395	50	100	120	25	19	68	70	48	186
	B	160M			125	323	390	294	470	625	345	170	1181	1050	400	125	440	395	50	100	120	25	19	68	109	53	230
	B	160L			125	345	390	294	470	625	345	170	1225	1050	400	125	440	395	50	100	120	25	19	68	136	53	257
	B	180M			125	351	390	317	470	625	345	190	1253	1100	400	150	440	395	50	100	120	25	19	68	161	63	292
	B	180L			125	370	390	312	470	625	345	190	1313	1100	400	150	440	395	50	100	120	25	19	68	182	63	313
	B	200L			125	425.5	390	364	470	625	345	185	1408	1200	450	150	440	395	50	100	120	25	19	87	295	58	421
	A	132S			125	239	430	229	470	685	370	210	1037	950	600	175	440	395	50	100	120	25	19	87	56	49	192
	A	132M			125	258	430	229	470	685	370	210	1075	950	600	175	440	395	50	100	120	25	19	87	70	49	206
EHC 100D	B	160M	Ø 100	Ø 80	125	323	430	294	470	685	370	170	1181	1050	400	125	440	395	50	100	120	25	19	87	109	55	251
	B	160L			125	345	430	294	470	685	370	170	1225	1050	400	125	440	395	50	100	120	25	19	87	136	55	278
	B	180M			125	351	430	317	470	685	370	190	1253	1100	400	150	440	395	50	100	120	25	19	87	161	59	307
	B	180L			125																						



• Dimensions for the standard unit driven by ICE standard motor.

TYPE	FIG	MOTOR FRAME NO.	BORE		PUMP & MOTOR DIMENSIONS(MM)								BASE PLATE DIMENSIONS(MM)								WEIGHT(KG)						
			SUC.	DIS.	A	B	D	K	R	T	U	V	W	Ba	Bb	Bc	Bd	Be	Bf	Bg	Bh	Bi	Bz	PUMP	MOTOR	BASE	TOTAL
EHC 150B	A	132M	Ø 150	Ø 125	140	258	450	229	470	685	370	225	1090	950	600	175	440	395	50	100	120	25	19	86	70	49	205
	B	160M			140	323	450	294	470	685	370	185	1196	1050	400	125	440	395	50	100	120	25	19	86	109	55	250
	B	160L			140	345	450	294	470	685	370	185	1240	1050	400	125	440	395	50	100	120	25	19	86	136	55	277
	B	180M			140	351	450	317	470	685	370	205	1268	1100	400	150	440	395	50	100	120	25	19	86	161	59	306
EHC 150C	B	180L	Ø 150	Ø 125	140	370	450	312	470	685	370	205	1328	1100	400	150	440	395	50	100	120	25	19	86	182	59	327
	B	160M			140	323	475	294	470	725	370	185	1196	1050	400	125	440	395	50	100	120	25	19	88	109	55	252
	B	160L			140	345	475	294	470	725	370	185	1240	1050	400	125	440	395	50	100	120	25	19	88	136	55	279
	B	180M			140	351	475	317	470	725	370	205	1268	1100	400	150	440	395	50	100	120	25	19	88	161	59	308
EHC 150D	B	180L	Ø 150	Ø 125	140	370	475	312	470	725	370	205	1328	1100	400	150	440	395	50	100	120	25	19	88	182	59	329
	B	200L			140	425.5	475	364	470	725	370	200	1423	1200	450	150	440	395	50	100	120	25	19	88	295	56	439
	B	160L			140	345	500	294	530	755	400	155	1300	1150	450	125	560	515	50	100	120	25	19	182	136	68	386
	B	180M			140	351	500	317	530	755	400	180	1328	1200	450	150	560	515	50	100	120	25	19	182	161	71	414
EHC 150E	B	180L	Ø 150	Ø 125	140	370	500	312	530	755	400	180	1388	1200	450	150	560	515	50	100	120	25	19	182	182	71	435
	B	200L			140	425.5	500	364	530	785	430	180	1484	1300	500	150	560	515	65	130	150	26	23	182	295	89	566
	B	225S			140	432	500	-	530	785	430	180	1499	1300	500	150	560	515	65	130	150	26	23	182	365	90	637
	B	200L			140	425.5	576	364	530	865	465	180	1484	1300	500	150	560	500	65	130	150	26	23	213	295	95	603
EHC 150F	B	225S	Ø 150	Ø 125	140	432	576	-	530	865	465	180	1499	1300	500	150	560	500	65	130	150	26	23	213	365	96	674
	B	250S			140	463.5	576	-	530	865	465	155	1574	1350	550	125	560	500	65	130	150	26	23	213	510	96	819
	B	250M			140	482.5	576	-	530	865	465	155	1614	1350	550	125	560	500	65	130	150	26	23	213	550	96	859
	B	280S			140	544	576	-	530	865	465	230	1734	1500	550	200	600	540	65	130	150	26	23	213	690	108	1011
EHC 200C	B	280M	Ø 200	Ø 150	160	569.5	576	-	530	865	465	230	1789	1500	550	200	600	540	65	130	150	26	23	213	810	108	1131
	B	160M			160	323	513	294	530	775	400	175	1276	1150	450	125	560	515	50	100	120	25	19	208	109	71	388
	B	160L			160	345	513	294	530	775	400	175	1320	1150	450	125	560	515	50	100	120	25	19	208	136	71	415
	B	180M			160	351	513	317	530	775	400	200	1348	1200	450	150	560	515	50	100	120	25	19	208	161	73	442
EHC 200D	B	180L	Ø 200	Ø 150	160	370	513	312	530	775	400	200	1408	1200	450	150	560	515	50	100	120	25	19	208	182	73	463
	B	200L			160	425.5	513	364	530	805	430	200	1504	1300	500	150	560	500	65	130	150	26	23	208	295	92	595
	B	225S			160	432	513	-	530	805	430	200	1519	1300	500	150	560	500	65	130	150	26	23	208	365	90	663
	B	250S			160	463.5	513	-	530	805	430	175	1594	1350	550	125	560	500	65	130	150	26	23	208	510	97	815
EHC 200E	B	250M	Ø 200	Ø 150	160	482.5	513	-	530	805	430	175	1634	1350	550	125	560	500	65	130	150	26	23	208	550	97	855
	B	180M			160	351	529	317	530	835	435	195	1348	1200	450	150	610	565	50	100	120	25	19	286	161	79	526
	B	180L			160	370	529	312	530	835	435	195	1408	1200	450	150	610	565	50	100	120	25	19	286	182	79	547
	B	200L			160	425.5	529	364	530	865	465	195	1504	1300	500	150	610	550	65	130	150	26	23	286	295	99	680
EHC 200F	B	225S	Ø 200	Ø 150	160	432	529	-	530	865	465	195	1519	1300	500	150	610	550	65	130	150	26	23	286	365	100	751
	B	250S			160	463.5	529	-	530	865	465	170	1594	1350	550	125	610	550	65	130	150	26	23	286	510	100	896
	B	250M			160	482.5	529	-	530	865	465	170	1634	1350	550	125	610	550	65	130	150	26	23	286	550	100	936
	B	280S			160	544	529	-	530	865	465	240	1734	1500	550	200	610	550	65	130	150	26	23	300	615	106	771
EHC 200G	B	250M	Ø 200	Ø 150	160	463.5	529	-	530	865	465	240	1734	1500	550	200	610	550	65	130	150	26	23	300	365	106	771
	B	280M			160	544	529	-	530	865	465	240	1734	1500	550	200	610	550	65	130	150	26	23	300	550	110	920
	B	280L			160	482.5	529	-	530	865	465	245	1774	1500	550	200	610	550	65	130	150	26	23	300	550	110	960
	B	280L			160	544	529	-	530	865	465	245	1774	1500	550	200	610	550	65	130	150	26	23	300	550	110	960
EHC 200H	B	280L	Ø 200	Ø 150	160	463.5	529	-	530	865	465	245	1774	1500	550	200	610	550	65	130	150	26	23	300	550	110	960
	B	280L			160	544	529	-	530	865	465	245	1774	1500	550	200	610	550	65	130	150	26	23	300	550	110	960
	B	280L			160	569.5	529	-	530	865	465	245	1774	1500	550	200	610	550	65	130	150	26	23	300	690	152	1142
	B	280L			160	614	529	-	530	865	465	245	1774	1500	550	200	610	550	65	130	150	26	23	300	810	152	1262
EHC 200I	B	225S	Ø 200	Ø 150	180	432	674	446	714	1010	510	260	1715	1500	550	200	650	590	65	130	155	26	23	450	345	110	905
	B	250S			180	463.5	674	477	714	1010	510	235	1799	1550	600	175	650	590	65	130	155	26	23	450	490	115	1055
	B	250M			180	482.5	674	477	714	1010	510	235	1837	1550	600	175	650	590	65	130	155	26	23	450	550	115	1115
	B	280S			180	544	674	523	714	1035	535	260	1915	1700	650	200	650	580	75	150	180	30	23	450	690	200	1340
EHC 200J	B	280M	Ø 200	Ø 150	180	569.5	674	523	714	1035	535	260	1966	1700	650	200	650	580	75	150	180	30	23	450	800	200	1450
	B	280L			180	614	674	523	714	1085	585	260	2117	1800	700	200	650	570	80	160	230	32	27	450	950	240	1640
	B	280L			180	614	674	523	714	1085	585	260	2117	1800	700	200	650	570	80	160	230	32	27	450	950	240	1640
	B	280L			180	614	674	523	714	1085	585	260	2117	1800	700	200	650	570	80	160	230	32	27	450	950	240	1640
EHC 250C	B	315	Ø 250	Ø 200	225	955	858	945	850	1295	675	440	3320	3150	810	360	1200	1120	80	200	230	20	33	856	2360	623	3839
	B	180M			200	351	570	317	670	890	465	190	1529	1350	550	125	630	570	65	130	150	26	23	340	161	108	609
	B	180L			200	370	570	312	670	890	465	190	1589	1350	550	125	630	570	65	130	150	26	23	340	182	108	630
	B	200L			200	425.5	570	364	670	890	465	240	1684	1450	550	175	630	570	65	130	150	26	23	340	295	110	745
EHC 250D	B	225S	Ø 250	Ø 200	200	432	570	-	670	890	465	240	1699	1450													