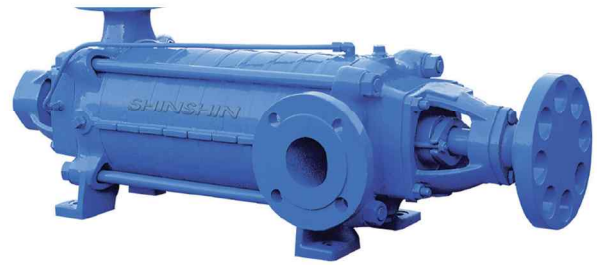


# MB

## Horizontal, Multi-Stage, Turbine Pumps

횡축, 다단 터빈 펌프



### 적용 분야 / Application ranges

청정, 저온 또는 고온 액체의 펌핑용으로서

01. 용수 플랜트
02. 난방(가열) 및 보일러 플랜트
03. 다양한 산업분야의 가압 플랜트
04. 응축수 회수용 등에 사용된다.

For pumping clean, cold or hot liquids

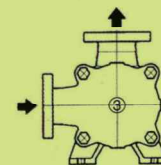
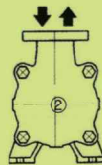
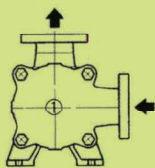
01. In water plants
02. In heating and boiler plants
03. In booster plants of various industrial branches
04. For condensate recovery

### 운전 데이터 / Operating data

01. 유량 : 150m<sup>3</sup>/hr 까지
02. 양정 : 450m 까지
03. 운전 압력 : 40bar 까지
04. 운전 온도 : -20°C에서 +180 까지
05. 플랜지 규격 : 흡입측 KS 10K  
토출측 KS 40K

01. Capacity : up to 150m<sup>3</sup>/hr
02. head : up to 450m
03. Operating pressure : up to 40bar
04. Operating Temperature : up to -20°C up to +180°C
05. Flange Rating : Suction side KS 10K  
Discharge side KS 40K

### Branch position facing driven end



#### Branch position 2:

- ▶ MB 32 and MB 40 form 4stages upwards MB65, MB80 from 3stages upwards
- Direction of rotation "clockwise"

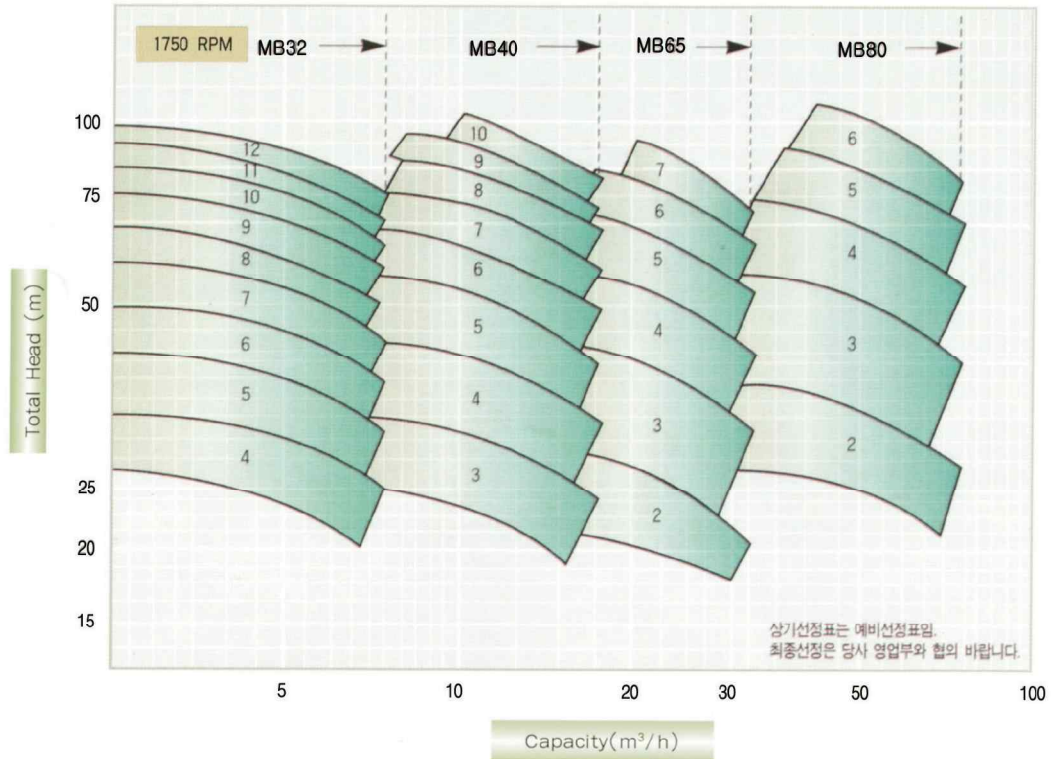
### 형식 표시 방법 / Type nomenclature

- ▶ 시리즈(Series) \_\_\_\_\_
- ▶ 사이즈/토출구경(Size/Nominal dia. of discharge nozzle) \_\_\_\_\_
- ▶ 단수(Number of stage) \_\_\_\_\_

**MB 65-7S**

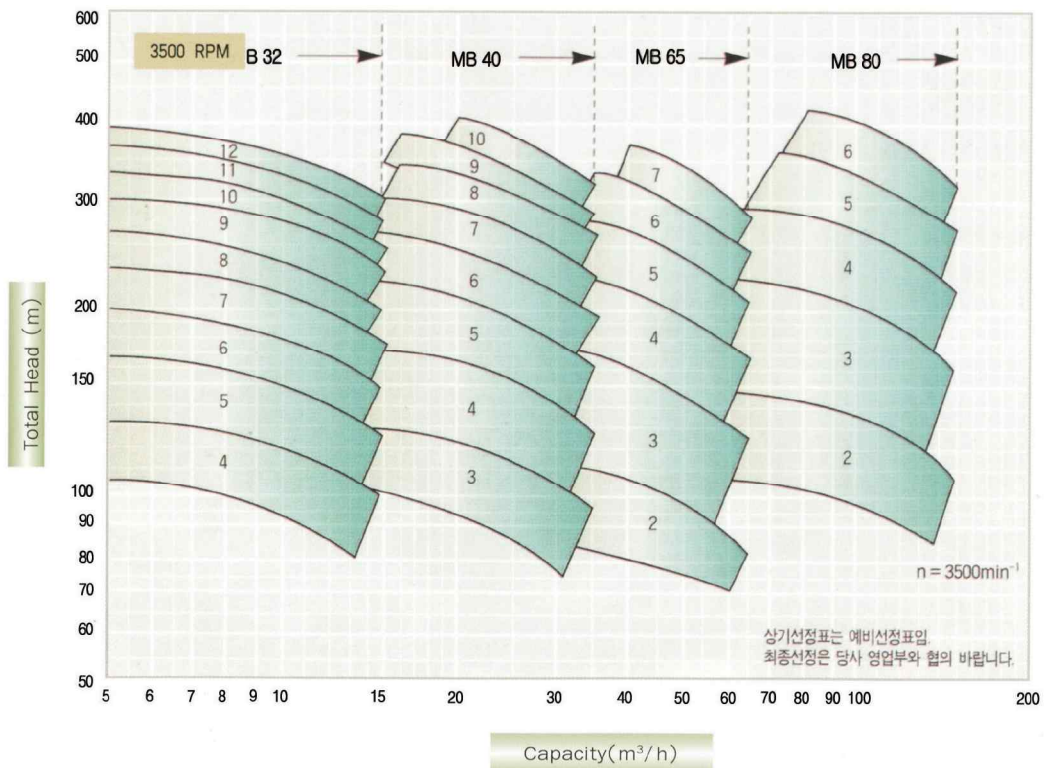
# MB

## 선정표(60HZ에서) / Performance selection chart(60Hz)



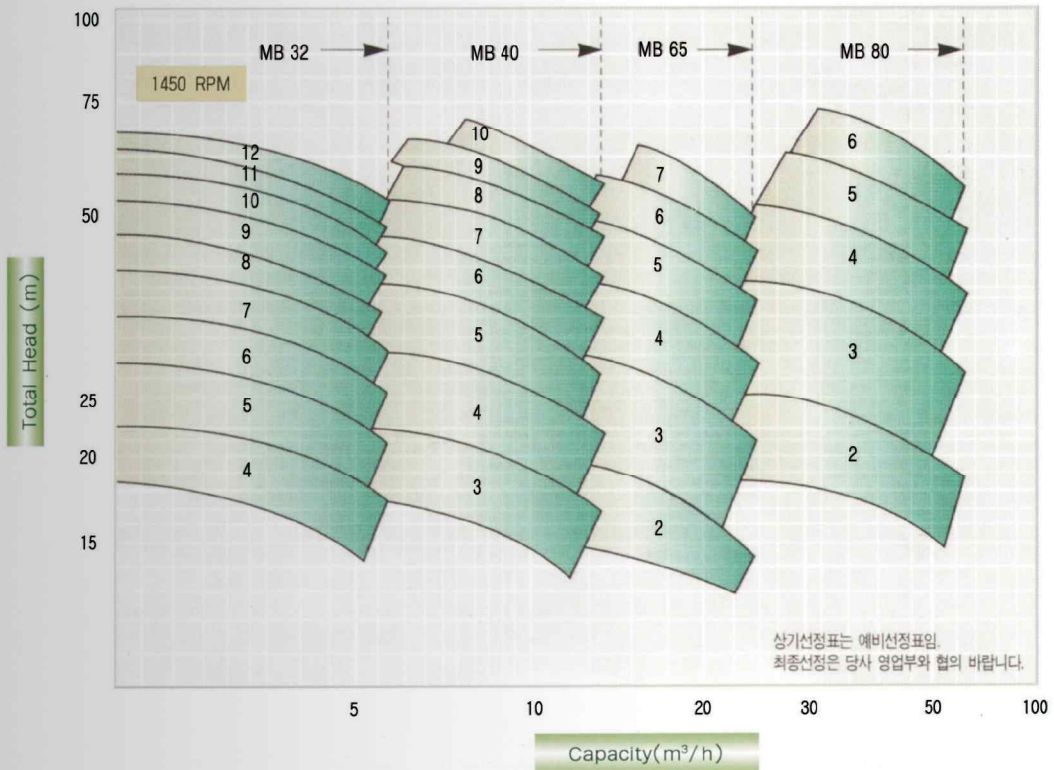
\* The out of the above range can be supplied according to customer's order placement.

## 선정표(60HZ에서) / Performance selection chart(60Hz)



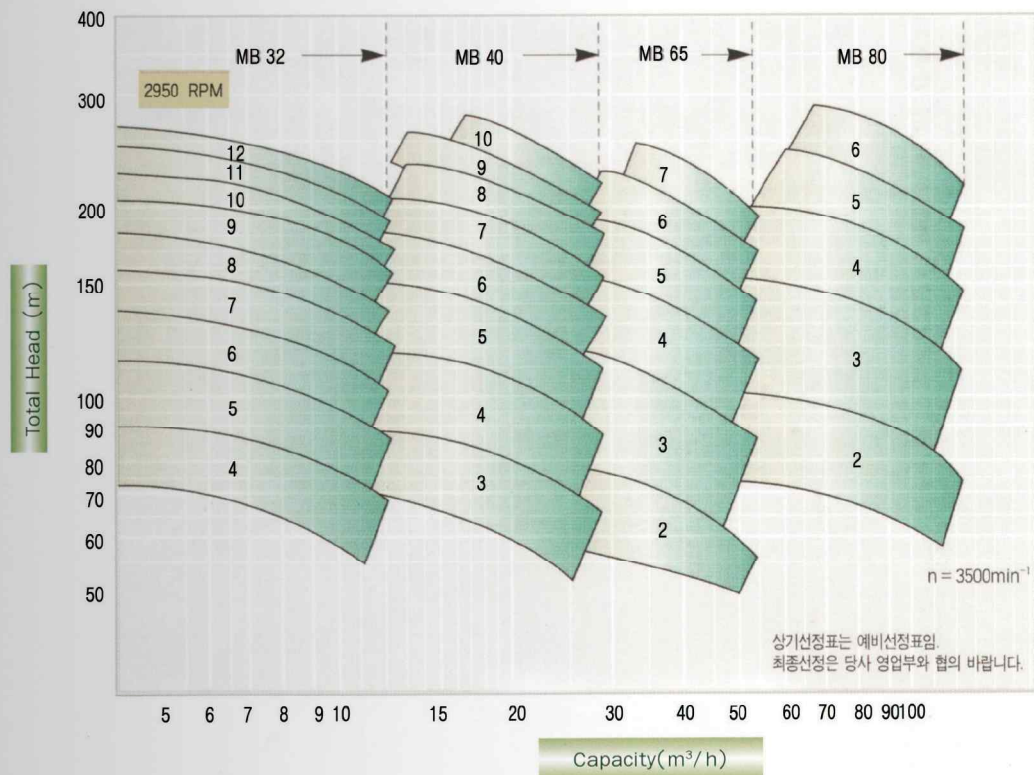
\* The out of the above range can be supplied according to customer's order placement.

선정표(50HZ에서) / Performance selection chart(50Hz)



\* The out of the above range can be supplied according to customer's order placement.

선정표(50HZ에서) / Performance selection chart(50Hz)

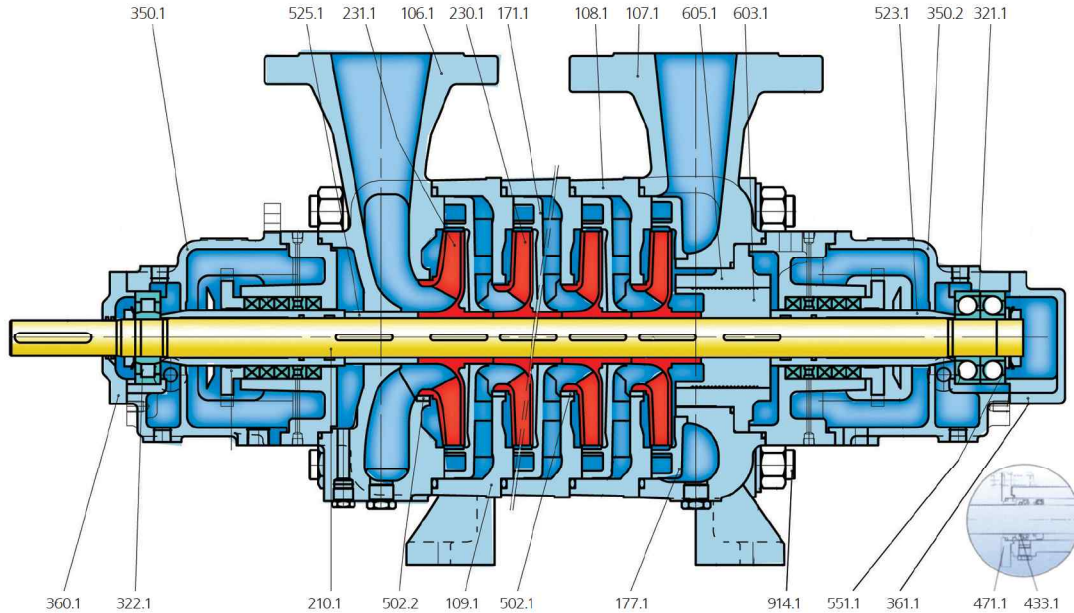


\* The out of the above range can be supplied according to customer's order placement.



# MB

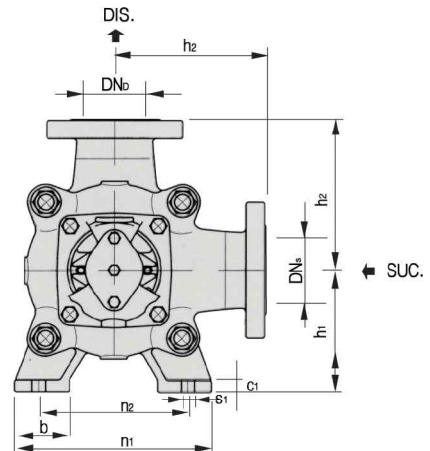
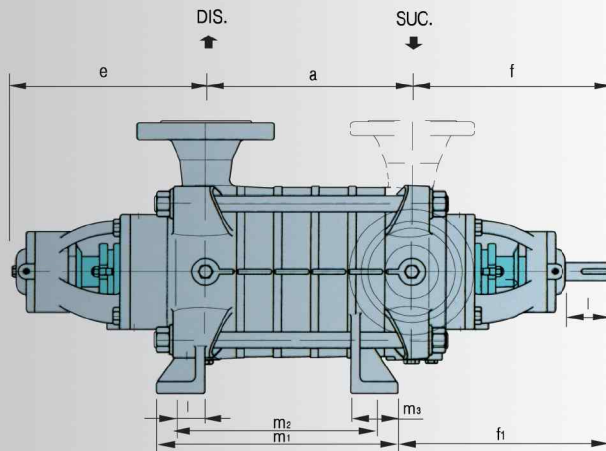
## 조립 단면도 / Sectional drawing



NO.	PART NAME	MATERIAL						Q'ty
		CLASS 1	CLASS 2	CLASS 3	CLASS 4	CLASS 5	CLASS 6	
106.1	SUCTION CASING	GCD 450	SC 450	CAC 406	SSC 13	SSC 14	SSC 16	1
107.1	DISCHARGE CASING	GCD 450	SC 450	CAC 406	SSC 13	SSC 14	SSC 16	1
108.1	STAGE CASING	GCD 450	SC 450	CAC 406	SSC 13	SSC 14	SSC 16	S-2
109.1	STAGE CASING (WITH FOOT)	GCD 450	SC 450	CAC 406	SSC 13	SSC 14	SSC 16	1
171.1	DIFFUSER	GCD 450		CAC 406	SSC 13	SSC 14	SSC 16	5
177.1	DIFFUSER (LAST STAGE)	GCD 450		CAC 406	SSC 13	SSC 14	SSC 16	1
210.1	SHAFT	SM 45C / SCM 440 / STS 304			STS 304	STS 316	STS 316L	1
230.1	IMPELLER	GC 200 / GC 250	SSC 13	CAC 406 / CAC 502A / CAC 703	SSC 13	SSC 14	SSC 16	S-1
231.1	SUCTION IMPELLER	GC 200 / GC 250	SSC 13	CAC 406 / CAC 502A / CAC 703	SSC 13	SSC 14	SSC 16	1
321.1	BALL BEARING	STB 2						1
322.1	ROLLER BEARING	STB 2						1
350.1	BEARING HOUSING(SUC.)	GC 200						1
350.2	BEARING HOUSING(DIS.)	GC 200						1
360.1	BEARING COVER	GC 200						1
361.1	BEARING END COVER	GC 200						1
433.1	MECHANICAL SEAL	-						2
471.1	SEAL COVER	STS 304				STS 316	STS 316L	2
502.1	CASING WEAR RING	CAC 406			SSC 13	SSC 14	SSC 16	1
502.2	CASING WEAR RING	CAC 406			SSC 13	SSC 14	SSC 16	S-1
523.1	SHAFT SLEEVE	STS 304			STS 304	STS 316	STS 316L	2
525.1	SPACER SLEEVE	STS 304			STS 304	STS 316	STS 316L	1
551.1	SPACER DISC	SS 400						1
603.1	BALANCE DRUM	CAC 406			SSC 13	SSC 14	SSC 16	1
605.1	BALANCE DRUM LINER	STS 304		CAC 502A	STS 304	STS 316	STS 316L	1
914.1	TIE BOLT	SM 45C						4

S : NUMBER OF STAGE  
 1. Jacket cover is available only for cooling type  
 2. Suction impeller is available MB65,80(Q'ty : Suction impeller:1, impeller : S-1)  
 3. Casing wear ring is available for MB 80

외형치수도 / Outline dimensions



TYPE	NUMBER OF STAGE	BORE		PUMP DIMENSION(MM)																													
		SUC.	DIS.	a	e	f	f1	h1	h2	b	c1	i	m1	m2	m3	n1	n2	s1															
MB 32	4	Ø 50	Ø 32	175	212	240	250	132	170	60	12	35	215	185	50	210	150	14															
	5			215									225																				
	6			255									265																				
	7			295									305																				
	8			335									345																				
	9			375									385																				
	10			415									425																				
	11			455									465																				
	12			495									505																				
	13			535									545																				
	14			575									585																				
	MB 40			3									Ø 65	Ø 40					150	243	270	280	150	190	70	15	40	200	160	60	240	180	16
				4															195									205					
				5															240									250					
6		285	295																														
7		330	340																														
8		375	385																														
9		420	430																														
10		465	475																														
11		510	520																														
12		555	565																														
13		600	610																														
MB 65		2	Ø 80	Ø 65	140	278	295	315	180	225	80	18			45	190	140	70	290									220	20				
		3			195											195																	
	4	250			250																												
	5	305			305																												
	6	360			360																												
	7	415			415																												
	8	470			470																												
	9	525			525																												
	10	580			580																												
	MB 80	2			Ø 100								Ø 80	160		308	340			370	200	250	90	22	50	205	155			75	330	260	20
3		225	220																														
4		290	285																														
5		355	350																														
6		420	415																														
7		485	480																														
8		550	545																														
9		615	610																														

• 치수는 참고용임

