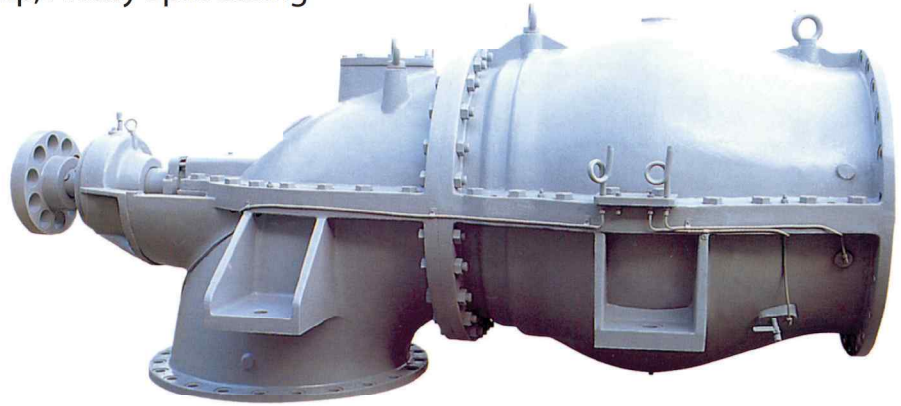


# SDF-H

## Horizontal Mixed Flow Pump, Axially Split Casing

상하분할형 횡축 사류 펌프



### 적용분야 / Applications

01. 농업 : 양수, 배수
02. 하수도 : 배수, 오수 송수
03. 일반산업용 : 취수, 송수, 배수

01. Agriculture : For Water supply, Drainage
02. Sewage system : For Drainage, Sewage, Water supply
03. General industries : Water supply, Drainage

### 설계 및 구조적 특징 / Design and Construction features

01. 임펠러 : 3차원 깃의 CLOSE TYPE
02. 외측 베어링 : 라디알 베어링과 스러스트 베어링의 조합  
오일 윤활
03. 수중 베어링 : 그리스 윤활의 메탈 베어링
04. 회전방법 : 구동기에서 보았을 때 우회전
05. 플랜지 : KS 5kg/cm<sup>2</sup> RF
06. 축봉장치 : 그랜드 팩킹 방식

01. Impeller : Close type having a blade of 3Dimension
02. Outside Bearing : Composite with Radial Bearing and Thrust Bearing  
(Oil Lubrication)
03. Sliding bearing : Metal Bearing by Grease Lubrication
04. Rotation : C.W when viewed from driver
05. Flange Rating : KS 5kg/cm<sup>2</sup> RF
06. Sealing : Gland packing type

### 사양 범위 / Operating Data

01. 전양정 : 10m
02. 토출량 : 25~400m<sup>3</sup>/min
03. 온도 : 0~40°C
04. 구경 : 500mm~1700mm

※ 상기 사양범위를 초과하는 대형 펌프도 제작합니다.

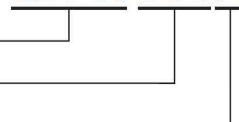
01. Total Head : 10m
02. Discharge flow : 25~400m<sup>3</sup>/min
03. Temperature : 0~40°C
04. Bore : 500mm~1700mm

\* The out of the above range can be supplied according to customer's order placement

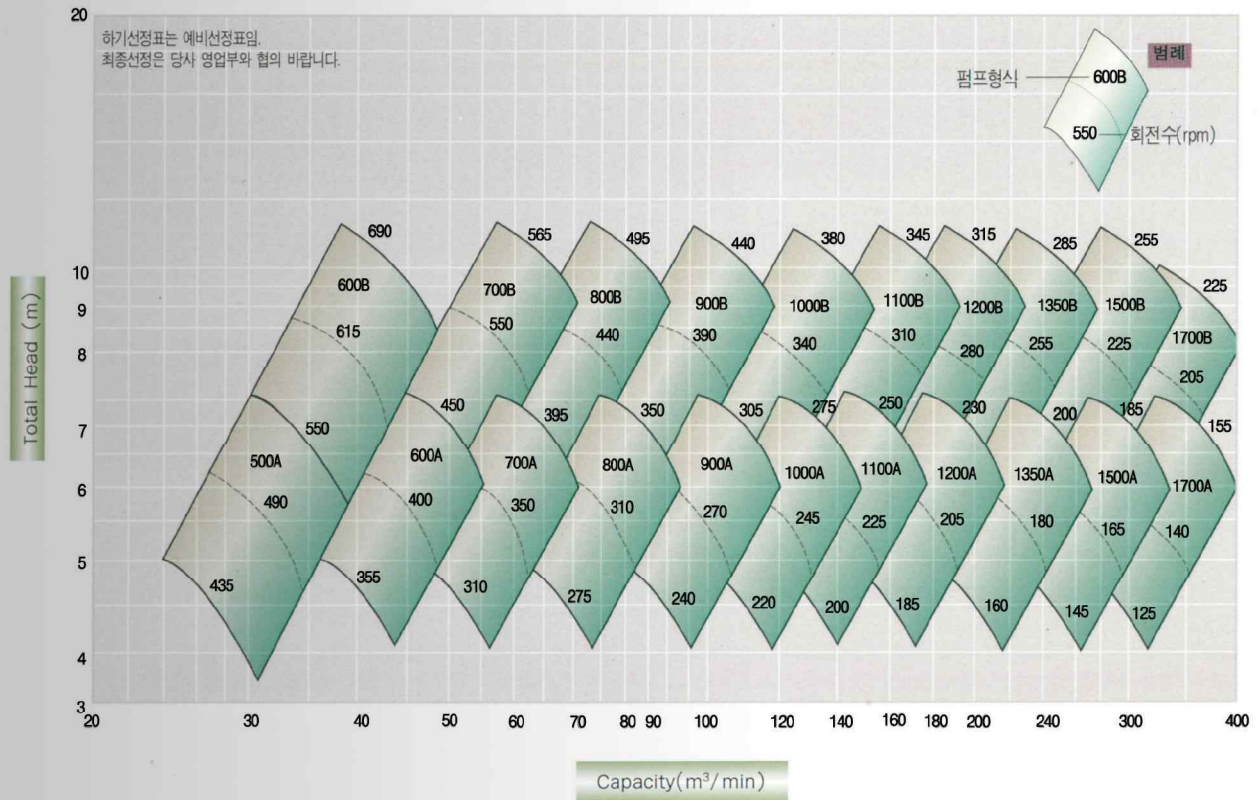
### 형식 표시 방법 / Type nomenclature

- ▶ 시리즈(Series) \_\_\_\_\_
- ▶ 사이즈/토출구경(Size/Nominal dia. of discharge nozzle) \_\_\_\_\_
- ▶ 양정 등급(Head ratings) : A,B,C..... \_\_\_\_\_

**SDF-H 500A**

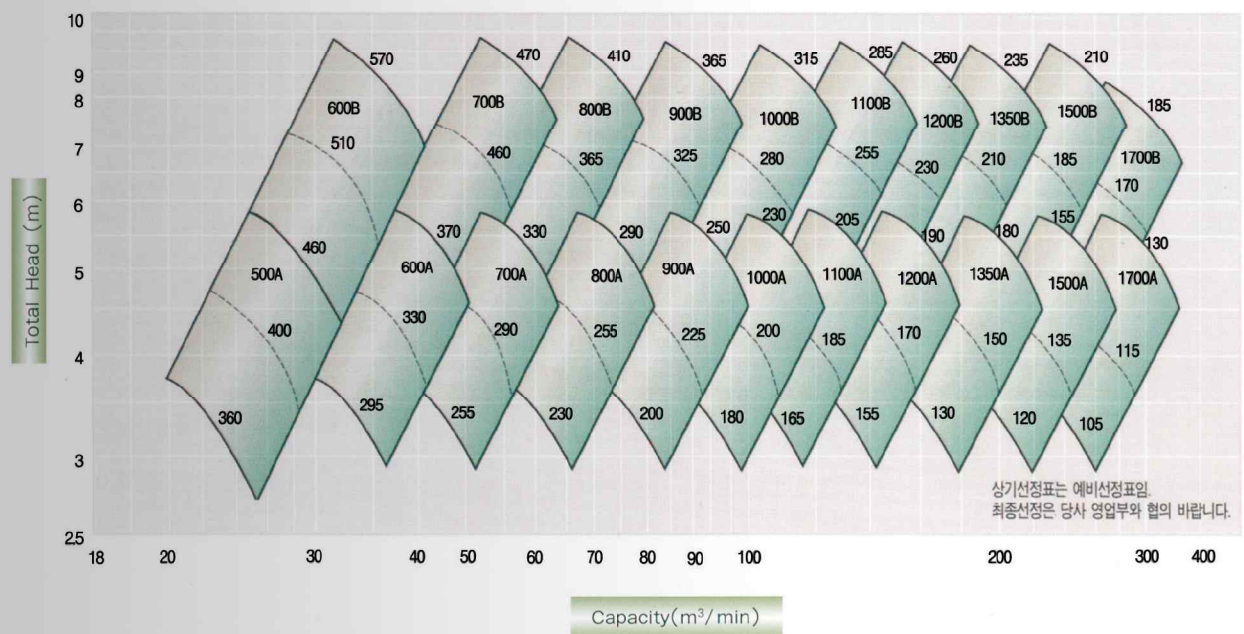


## 선정표(60HZ에서) / Performance selection chart(60Hz)



\* The out of the above range can be supplied according to customer's order placement.

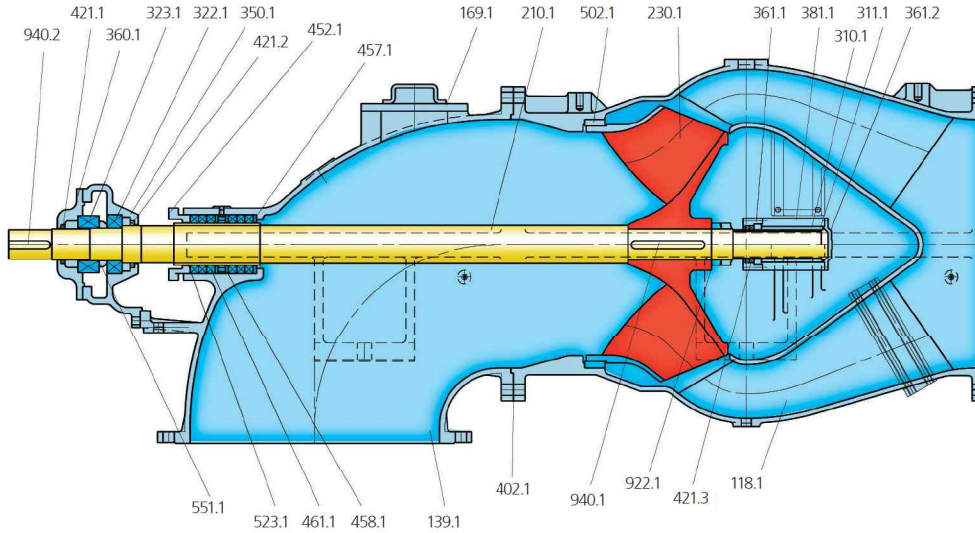
## 선정표(50HZ에서) / Performance selection chart(50Hz)



\* The out of the above range can be supplied according to customer's order placement.

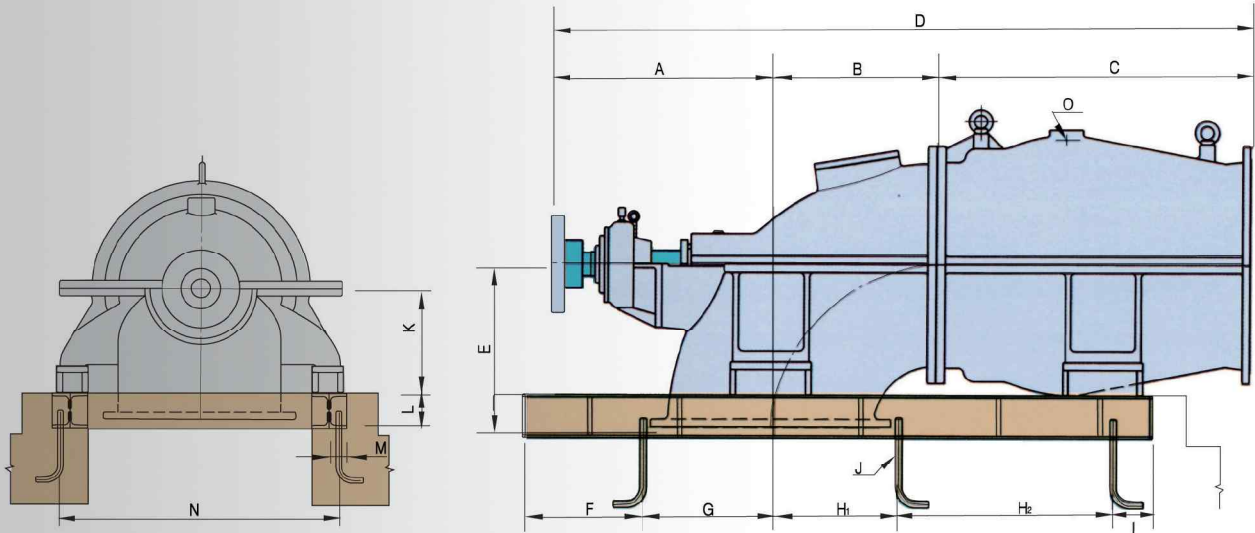
# SDF-H

## 조립 단면도 / Sectional drawing



Part NO.	PARTS NAME	MATERIAL		Q'TY
		NAME	KS	
118.1	GUIDE CASING	CAST IRON	GC 200	
139.1	SUCTION ELBOW	CAST IRON	GC 200	1
169.1	HAND HOLE COVER	STEEL PLATE	SS 400	1
210.1	SHAFT	STAINLESS STEEL	STS 304	1
230.1	IMPELLER	BRONZE	CAC 406	1
310.1	SLEEVE BEARING	BRONZE	CAC 406	1
311.1	BEARING SLEEVE	CARBON STEEL	SM 45C	1
322.1	ROLLER BEARING	BEARING STEEL	STB 2	1
323.1	THRUST BALL BEARING	BEARING STEEL	STB 2	1
350.1	BEARING HOUSING	CAST IRON	GC 200	1
360.1	BEARING COVER	CAST IRON	GC 200	1
361.1	BEARING COVER(INSIDE)	CAST IRON	GC 200	1
361.2	BEARING END COVER	CAST IRON	GC 200	1
381.1	BEARING CASE	CAST IRON	GC 200	1
402.1	GASKET	POLYMER CASKET	.	1
421.1	OIL SEAL	NBR	.	1
421.2	OIL SEAL	NBR	.	1
421.3	OIL SEAL	NBR	.	2
452.1	GLAND	CAST IRON	GC 200	1
457.1	PACKING BUSH	SATINLESS STEEL	SSC 13	1
458.1	LANTERN RING	STAINLESS STEEL	SSC 13	1
461.1	GLAND PACKING	COTTON GREASE	.	
502.1	CASING WEAR RING	BRONZE	CAC 406	1
523.1	SHAFT SLEEVE	STAINLESS STEEL	SSC 13	1
551.1	SPACER DISC	CARBON STEEL	SM 45C	1
922.1	IMPELLER NUT	STAINLESS STEEL	STS 304	2
940.1	IMPELLER KEY	STAINLESS STEEL	STS304	1
940.2	COUPLING KEY	CARBON STEEL	SM 45C	1

외형치수도 / Outline dimensions



TYPE	PUMP DIMENSIONS(MM)																
	BORE	A	B	C	D	E	F	G	H1	H2	I	J	K	L	M	N	O
SDF-H500	Ø 500	700	450	850	2000	450	250	450	450	450	250	6-M24	250	200	90	880	50
SDF-H600	Ø 600	750	500	950	2200	500	250	500	500	580	250	6-M24	300	200	90	1020	50
SDF-H700	Ø 700	845	550	1050	2445	550	250	600	600	520	250	6-M30	350	250	90	1020	50
SDF-H800	Ø 800	880	650	1300	2830	650	250	650	650	670	250	6-M30	360	250	90	1300	50
SDF-H900	Ø 900	1010	750	1400	3160	750	250	700	700	750	250	6-M30	450	250	90	1350	50
SDF-H1000	Ø 1000	1160	940	1500	3600	950	250	800	800	940	250	6-M30	500	250	90	1800	50
SDF-H1100	Ø 1100	1110	950	1650	3710	950	300	850	850	970	300	6-M30	550	300	90	1700	65
SDF-H1200	Ø 1200	1200	1050	1800	4050	1050	300	900	900	600	300	8-M30	600	300	90	1800	65
SDF-H1350	Ø 1350	1350	1200	2250	4800	1200	300	1000	1000	700	300	8-M30	650	300	90	2000	80
SDF-H1500	Ø 1500	1450	1350	2350	5150	1350	300	1100	1100	850	300	8-M36	700	300	90	2200	80

• 치수는 참고용임.