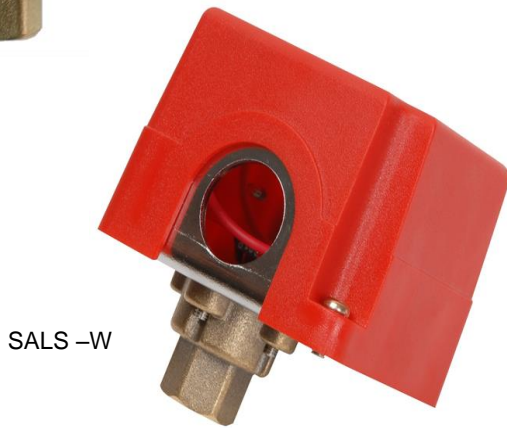
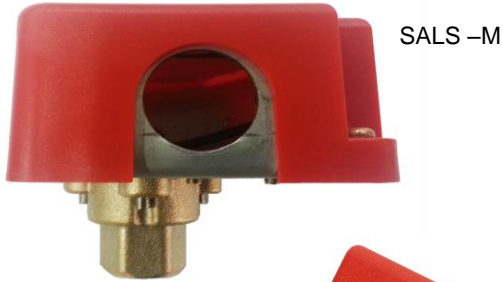


Alarm Switch for Fire Fighting

(SALS -W / SALS-M)

PRODUCT SPECIFICATION SHEET



FEATURES

- This switch has excellent character in low pressure.
- This switch has to be protected from harmful things just like scrap.
- This switch is operated by water pressure..

CONTENTS

Application	1
Features	1
Specifications	1~2
Dimensions	2

APPLICATION

This switch is used in monitoring water pressure of fire-fighting facilities..
This switch has application to fire-fighting facilities.

SPECIFICATIONS

Operating Contact Pressure (MPa)	0.08 ±0.01	
Fluid	: Water	
Ambient temperature	: -20 ~ 60℃	
Permissible fluid temperature	: -20 ~ 80℃(It shall not be frozen)	
Material	: Body	: BRASS
	Cover	ABS
	Diaphragm	EPDM
	Contact	SILBER

SPECIFICATIONS

Model	SALS -M PV	SALS -M AV	SALS -W PV	SALS -W AV
Retard Time	0 sec	4 sec	0 sec	4 sec
Weight	209g		271g	
Common Working Pressure	: 1.4 MPa Max.			
Permissible Hydraulic Pressure	: 2.0 MPa			
Electrica rating	Switching ratings	: 125/250 VAC / 16A		
	Contact resistance	: less than 150 mΩ		
Withstand pressure	: When water pressure = 2.0 MPa is added for one minute, no external leakage shall be measured and it must be no damaged on the body.			
Dielectric strength	: When AC1800V(50/60Hz) is added between the connector and body for one second, it shall be no unusual, detecting current is under 3mA.			
Insulation resistance	: Between terminal and outer exposed metal parts shall be 100 MΩ ever by DC 500V meggar.			

DIMENSIONS

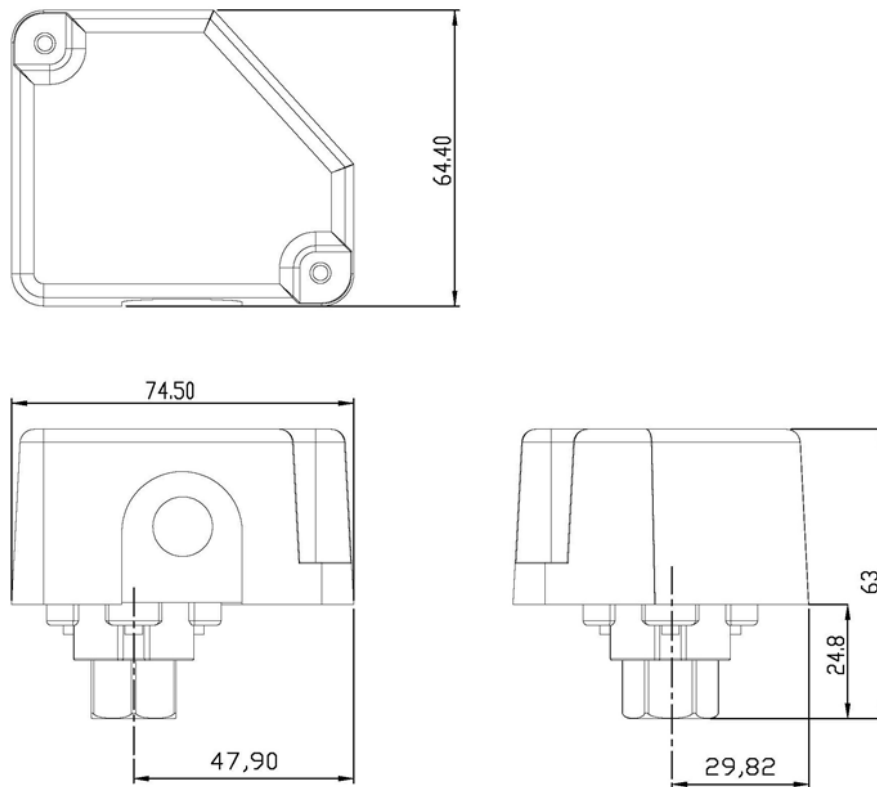


Fig 1. SALS -M

The specifications and dimensions can be changed without warning

DIMENSIONS

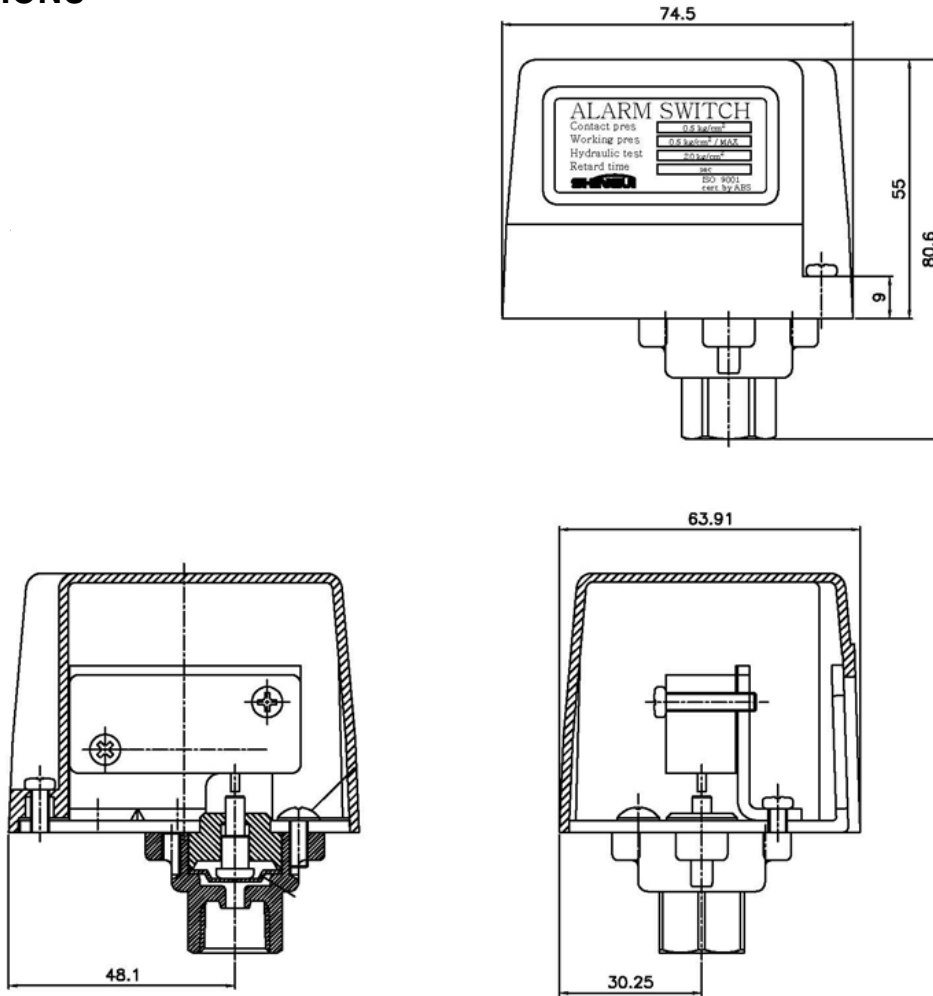


Fig 1. SALS -W

The specifications and dimensions can be changed without warning