

Air Pressure Switch without Electric contact (SAPS-HL)

PRODUCT SPECIFICATION SHEET



FEATURES

- Lowest pressure sensing.
- Differential pressure type.
- Excellent output Characteristic(High-Low output)
- Excellent durability by signal of no-contact.

CONTENTS

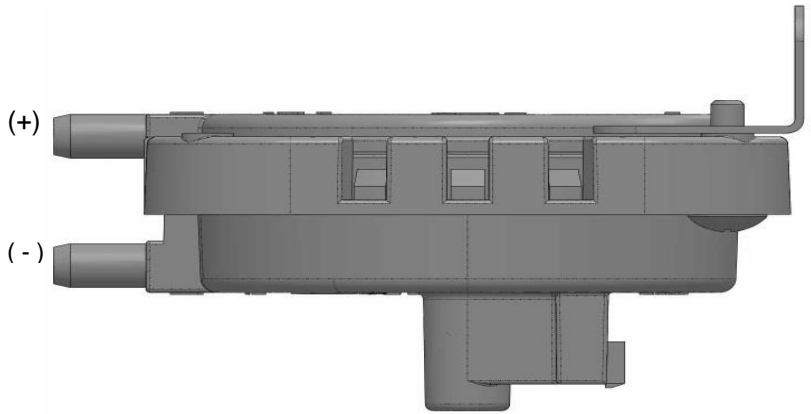
Features	1
Application	1
Specifications	1~2
Dimensions	3

APPLICATION

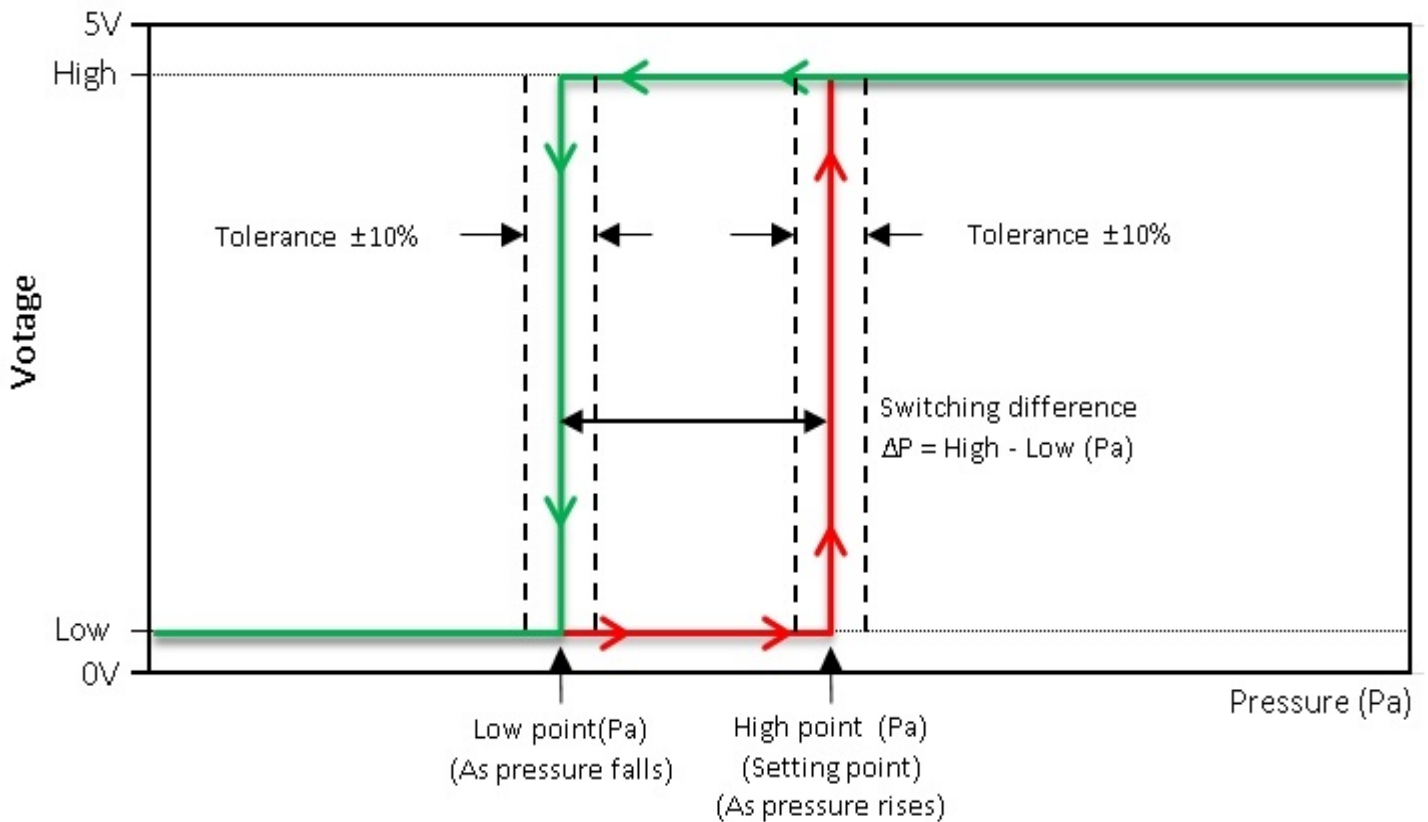
This sensor is used in sensing lowest pressure come out from Fan.
Home-Gas Boiler, HVAC and so on.

SPECIFICATION

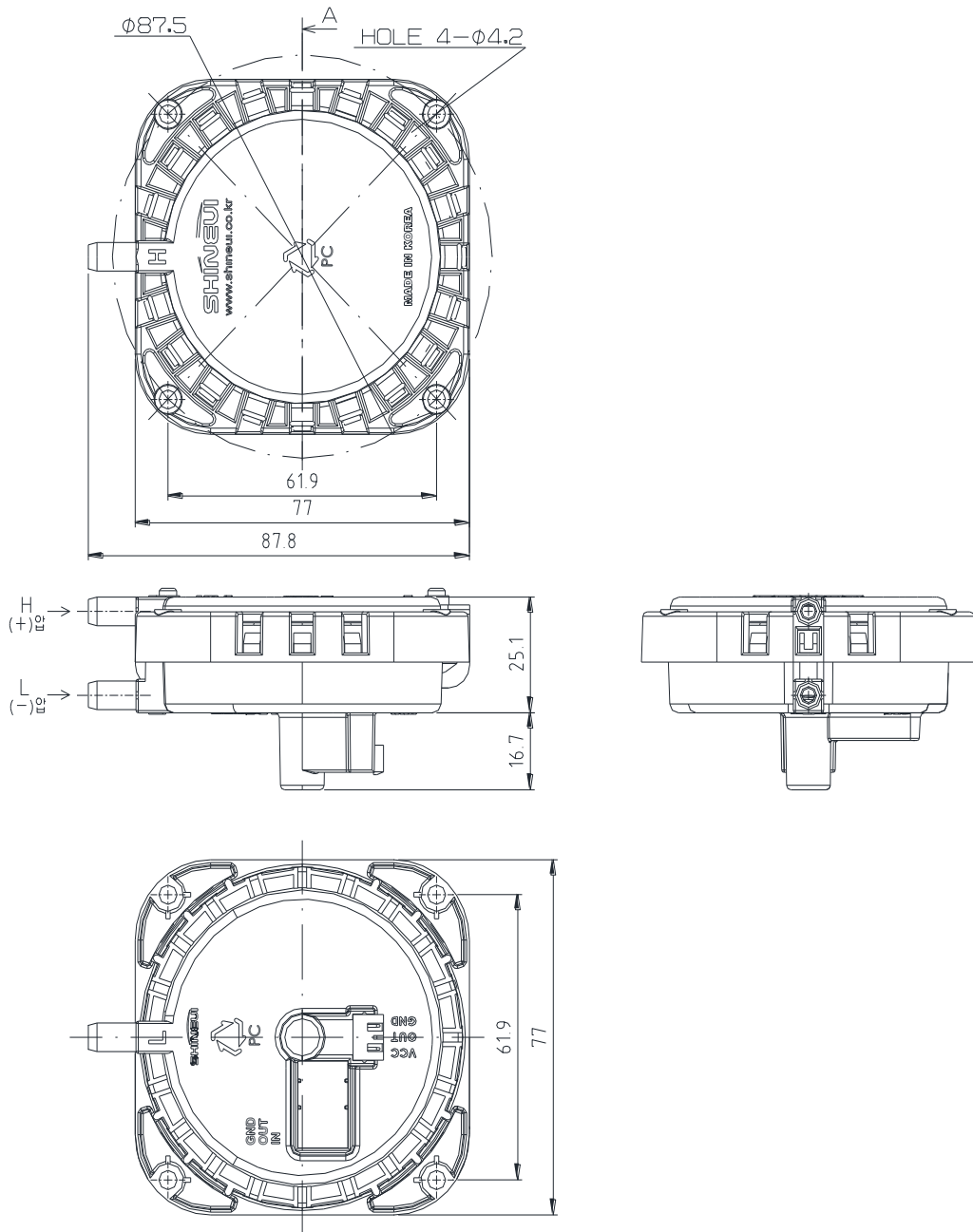
Medium	Air
Type	Differential pressure type
Setting range(Pa)	0 ~ 1000Pa (This can be chosen by an customer)
ΔP (High ~ Low)	Less than 100Pa (Depends on Customer's request)
Rupture pressure	MAX 1000Pa
Tolerable overload on one side	25 mbar
Leak rate	120 cm ³ /hour
Materials in contact with medium	- Cover : Polycarbonate(PC) - Diaphragm : Silicone
Temperature	- Medium and ambient : 0 °C ~ 60 °C - Storage : 0 °C ~ 60 °C
Power	Supply : DC 5V

Output Current	Less than 15mA
Pressure connection	Hose connector Ø6 X Ø8
Electrical connection	YEONHO, SMH250-03 (Standard connector) (It can be changed by customer)
Protection standard	IP 54
Weight	55g
Standard Installation (Horizontal as picture)	 <p>- horizontal : Brand name(SHINEUI) upward. (Diaphragm horizontal) - Vertical : Pressure connector downward.(Diaphragm Vertical) (Output characteristic depends on installation direction)</p>

OUTPUT



DIMENSION



The specifications and dimensions can be changed without warning

Electrical pressure sensor

Before using the air pressure sensor read the instruction manual. The control unit must be installed in accordance with applicable regulations