

Solenoid Valve

(SSV-24)

PRODUCT SPECIFICATION SHEET



FEATURES

- Optional rated voltage
- Additional function for backward prevention
- Changeable terminal direction (0°, 90°, 180°, 270°)

CONTENTS

Application	1
Features	1
Specifications	1~2
Dimensions	2

APPLICATION

This valve has application to gas boiler, etc.
It's in use to applied equipment for automatic water supply.

SPECIFICATIONS

Type	: Pilot	
Installation	: Vertical and Horizontal	
Fluid	: Water	
Ambient temperature	: 0 ~ 40℃	
Permissible fluid temperature	: 0 ~ 60℃ (It shall not be frozen)	
Material	: Body	Pom
	Diaphragm	Viton
	O-ring	Silicon
	Guide plate	Hgi

SPECIFICATIONS

Common use pressure	: 0.3 ~ 7.5 kgf/cm ²	
Flux	: Over 7 l/ min	
Inlet pressure	: 0.3 ~ 7.5 kgf/cm ²	
Electrical rating	: Power supply	: 24 VDC
	Power consumption	: less than 0.6W
	Current	: less than 24mA
	Insulation type	: E type 2UEW (120°C Urethane enamel wire)
Withstand pressure	: When water pressure = 7.5 kgf/cm ² is added for one minute, no external leakage shall be measured and it must be no damaged on the body.	
Dielectric strength	: When AC1800V(50/60Hz) is added between the connector and body for one second, it shall be no unusual, detecting current is under 5mA.	
Insulation resistance	: Between terminal and outer exposed metal parts shall be 100 MΩ ever by DC 500V meggar.	

DIMENSIONS

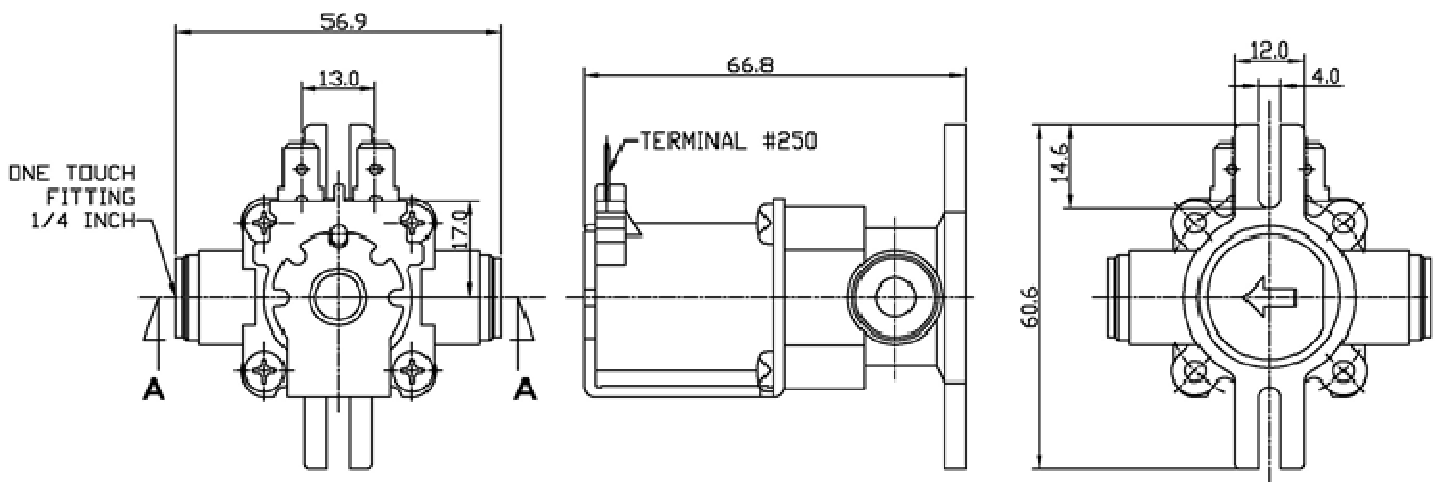


Fig 1. Solenoid valve

The specifications and dimensions can be changed without warning