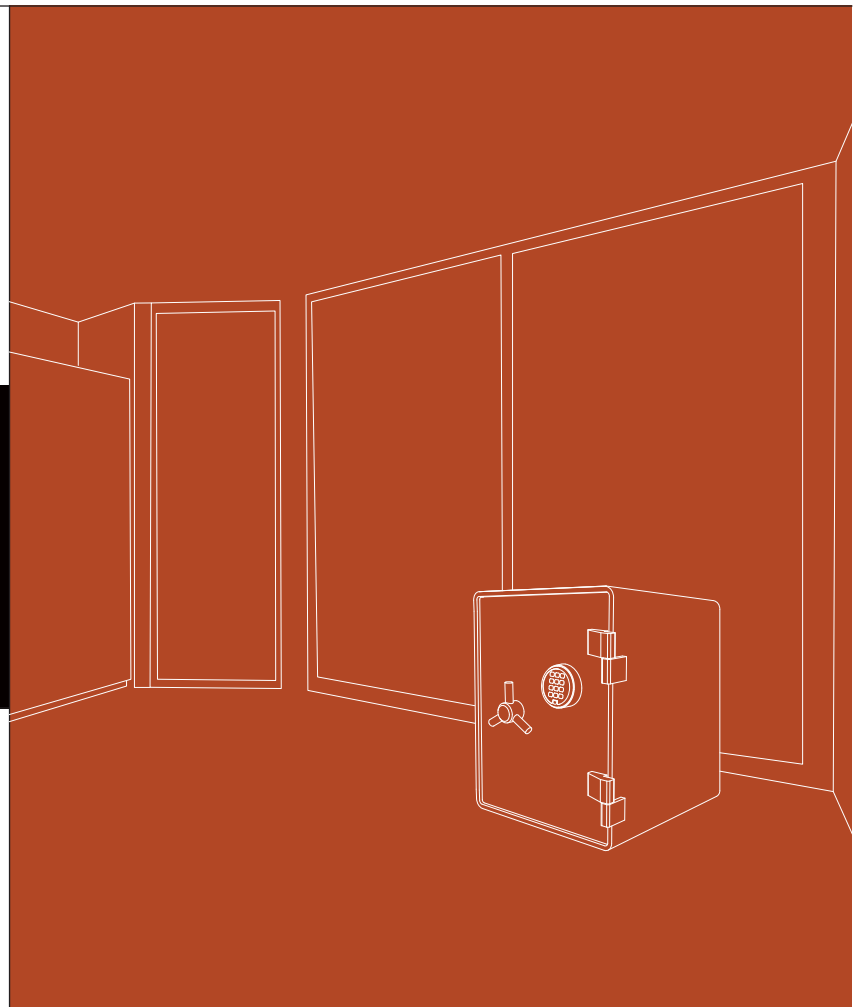
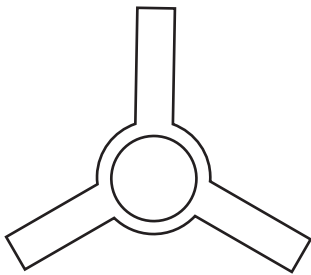
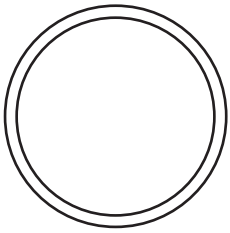




THE WORLD CLASS SAFETY

PRESENT

Prestigious gift for a special person like yourself



The number one performance of **PRESENT is confidence**

The performance that guides to the safety whenever and wherever would keep No.1 confidence of PRESENT.



www.shinjinsafe.co.kr

Sinjin Safe,

Records the history of the safe manufacturing

Since its establishment in 1945, SHINJIN Safe has become one of the best safe manufacturer in Korea with over 60 years of continuous efforts to produce solid products.

Not only the company has achieved internal structure that enables complete safety, but also established safety that is unique to the company with extensive development overarching fancy design and color with modernistic sense, function, the usage and convenience.

With the utmost emphasis on the value of "100% safety grade", has the company continuously strode forward, endeavoring to win the trust of customer.

Thus far, the company receives recognition from every corner of the various Korean markets.

But it would not remain complacent as the number one company in Korea as Shinjin will now travel onto the global market.

Your precious belongings that you are hoping to preserve, SHINJIN will protect them.

Showing respect to the ones that must be protected.

Most people who possess the safe would place invisibly. This is, probably such items are not for decoration but used mainly to secure 'Preciousness'.

However, shouldn't a safe deserves more dignity if it has best trustworthy of security and solidity?

It is PRESENT now. You would not need to hide the safe in a concealed environment. On the contrary, you would wish every one is able to take a look at such a beautiful possession.

Because PRESENT represents respect to the ones that you want to keep it safely.



Completion of Ultimate Sense Color & Design

Present which distances itself from the usual coldness and dull color of safes.

With the fancy and vivid colors such as orange pearl, vivid yellow, Champagne gold and brown black, presents sensational mood and cheerfulness in a given space.

Moreover, moving away from unified rectangular angulated exterior, the safe has opened a whole new chapter to stylishness by using rounded and soft edges.

■ Orange pearl
 ■ Vivid yellow
 ■ Champagne gold
 ■ Brown black



60 years of concentrated technology

Convenience & Option

- **Environmentally friendly wooden box** By using environmentally friendly wooden box inside the safe, the health and the convenience of the customers where taken into account. (including jewelry box)
- **Removable drawers & partition** Efficient use can be made when rearranging stored materials or cleaning internal space. According to the type and usage, removable partitions may/may not be applied (supplied as standard) in the drawers when storing the precious belongings such as jewelries, watches etc.
- **Height-adjustable glass shelf** Glass shelf can be adjusted for different heights for various sizes of contents.
- **Motion detecting sensor light** The sensor detects the movement such as opening the safe door and the light is turned on automatically.



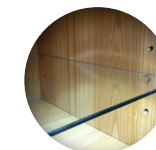
A type (Ash Tree)



B type (Walnut)



Removable drawers & partition



Height-adjustable glass shelf



Motion detecting sensor light

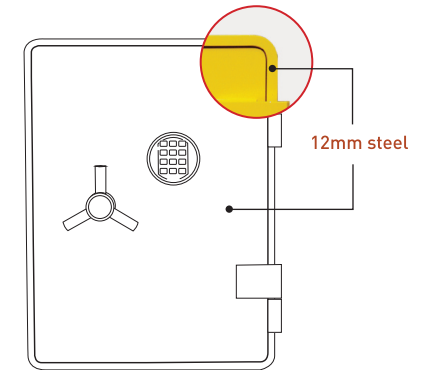


PRESENT stores all of
your **preciousness**

Capturing both ultimate function and style

SJST-600S/700S/800S Strong anti-burglary

Using 12mm steel for the whole of safe, PRESENT is a powerful safe specialized for protection to be used safely in banks, jewelry shops and offices where large amounts of precious goods and cash are stored.

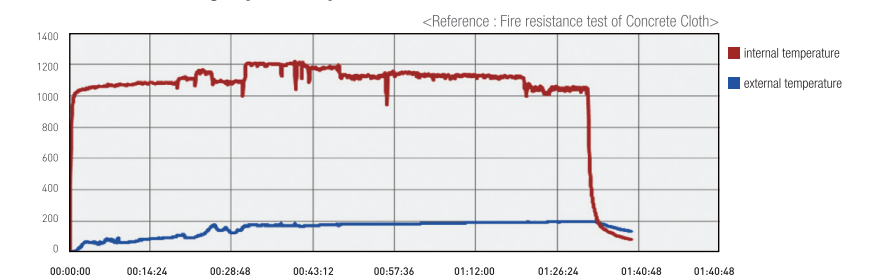


Perfect functionality, achieving "An iron hand in a velvet glove"

SJST-600FW/700FW/800FW Strong anti-burglary plus, fire resistance

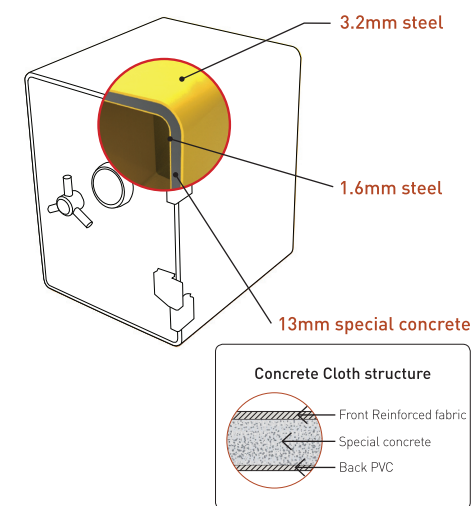
By using UK EN approved 13 mm special concrete, it shows not only protection capabilities but also equipped with fire & water resistance capabilities.

Fire-resistance graph for special concrete



Common

Used US UL certified S&G electronic lock for improved security with fixing four-direction latch in the safe door. This can withstand any outside intrusions.

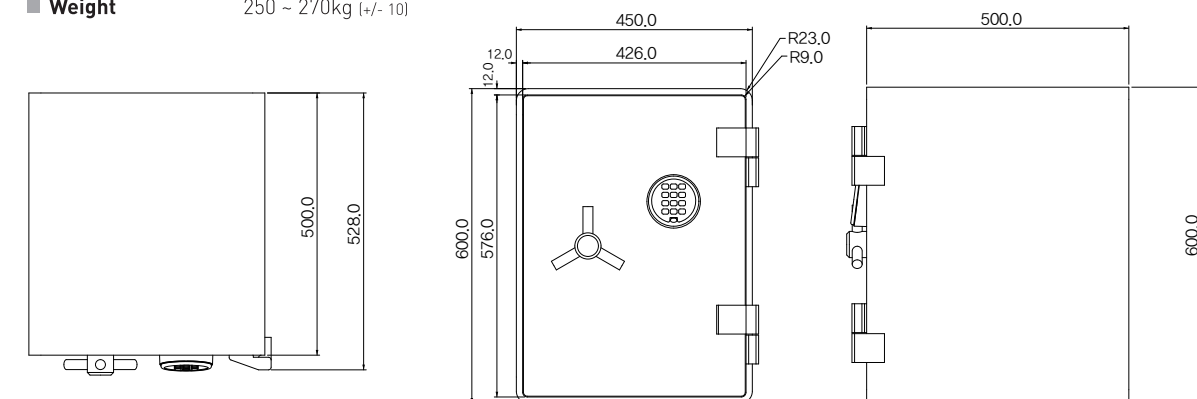


Product size

- SJST-600S/FW H600 X W450 X D500 (internal : H504 X W402 X D398)
- SJST-700S/FW H700 X W500 X D500 (internal : H604 X W452 X D398)
- SJST-800S/FW H800 X W550 X D500 (internal : H704 X W502 X D398)

* The size of S series and FW series are same

- Weight 250 ~ 270kg (+/- 10)



< Weight and overall dimensions : SJST-600S based >

www.shinjinsafe.co.kr
www.shinjinsafe.co.kr/present



Seoul Office

A-20, COEX 2nd FL, 159-1, Samsung-dong, Gangnam-gu, Seoul 135-731, Korea

Tel +82-(0)2-2267-8833
Fax +82-(0)2- 2277-0841

Head Office

11 Block 7 Lot, 772-2, Wonsi-dong, Danwon-gu, Ansan City, Gyeonggi-do, Korea

Tel +82-(0)31-497-8833
Fax +82-(0)31-497-0414

Shihwa Factory

111, 3-Na, Shihwa industrial Complex, 1269-10 Jeongwang-dong, Shihung City, Gyeonggi-do, Korea

Tel +82-(0)31-497-8012
Fax +82-(0)31-319-1027