

IP License Plate Recognition Camera

Design



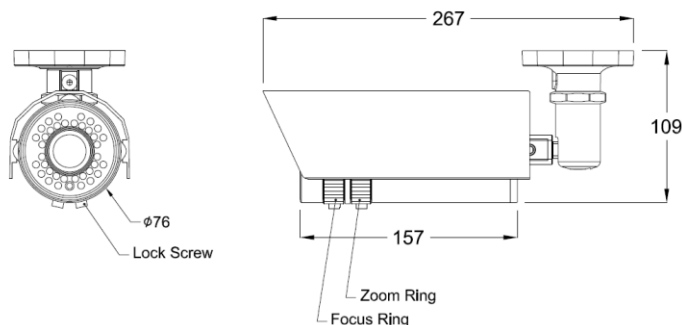
Specifications

Model	SJC43B90PIF
Image Sensor	1/3" Pixim CMOS image sensor
Lens	6~50mm varifocal lens
IR LED	36pcs of IR LEDs
Minimum Illumination	0.000 Lux
LPR Capture Range	3 ~ 18.2m, up to 200km/h
Compression	H.264/MJPEG
Max Streaming Speed	Max 30fps@ 720x480(720x576)
Bit Rate Control	VBR/CBR (H.264, 32k~12Mbps)
Standard	ONVIF(Profile S) / PSIA(v1.0)
LAN Interface	10/100-base-T
Protocol	HTTP, RTP/RTSP, TCP/IP, FTP, Telnet, RARP, PPPoE, SNMP, PAP, CHAP, DHCP, NTP, SMTP client and etc
Viewer	IE6, Firefox, Safari, etc CMS, QuickTime
Remote Admin	Web based administration, setup, control, and upgrade
Advanced Service	E-mail / FTP / Alarm buffering Event notification
Dynamic IP	DDNS / uPnP support
Security	Multi level password channel-wise privilege
Power Source	PoE(IEEE802.3af)
Operating Temperature	0°C to 50°C
Operating Humidity	30% to 80% RH
Dimension/mm	Φ76 X 267(W) x 109(H)
Weight/g	950

Key Features

- 1/3" Pixim CMOS image sensor
- H.264/MJPEG, Dual Stream IP Camera
- LPR range: 3 ~ 18.2m, up to 200km/h
- Remote access for Web Browser
- Network Bandwidth Control
- Event Alarm, e-mail, ftp Function
- RTP/RTSP(Multicast)
- Upgrade for Remote Access
- Support ONVIF & PSIA Standards
- Concealed bracket
- (3-axis for both wall and ceiling mount)
- Lens adjustable externally
- Weather proof / IP-66 rating

Dimensions



Specification & Design are subject to change without prior notice