

Extreme Environment Bullet Camera

Design

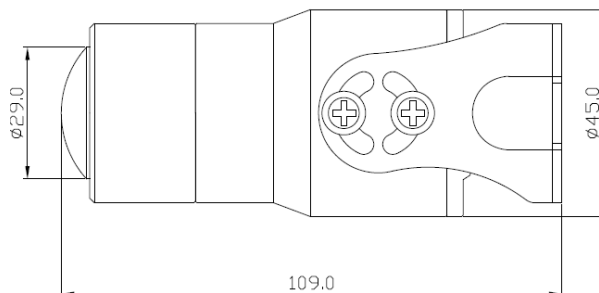
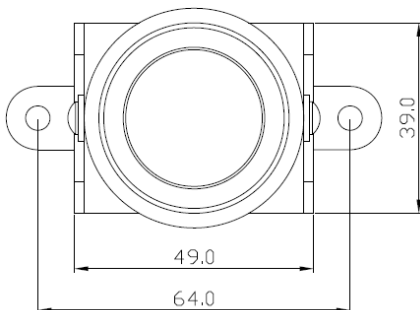


Key Features

- 1/3" 960H Sony Super HAD II CCD
- 700 TV lines of Resolution
- Stainless steel body & 3-axis bracket (AISI 316)
- Application for mine, boat, underwater, food factory etc...
- Anti-salt & Anti-germ
- Wide angle of view (170°)
- Compact size
- Low illumination camera
- Smart 3D-DNR
- SENS-UP (x8, default)
- Waterproof / IP-68 compliant
- DC12V
- Including wall mount bracket (option)



Dimensions



Specifications

Model		SJC20B65NA	SJC20B65PA
TV System		NTSC	PAL
Image Sensor		1/3" Sony Super HAD II CCD (960H)	
Number of Pixel	H	976	976
	V	494	582
Scanning Frequency	H	15.734kHz	15.625kHz
	V	59.94Hz	50Hz
Resolution		Color: 700 TV Lines	
Scanning System		2:1 Interlace	
Sync System		Internal	
Video Output		VBS 1.0V p-p 75Ω	
S/N Ratio		More than 52dB	
Minimum illumination		0.001 Lux (Sense up on)	
Electronic Shutter		1/60~1/100,000	1/50~1/100,000
Power Source		DC12V ±10%	
Power Consumption		Max 1.0 Watt	
Operating Temperature		-20°C to 60°C	
Operating Humidity		30% to 90%	
Lens		Fixed 2.2mm lens	
Dimension/mm		Φ49 X 109(L)	
Weight/g		600	

Specification & Design are subject to change without prior notice