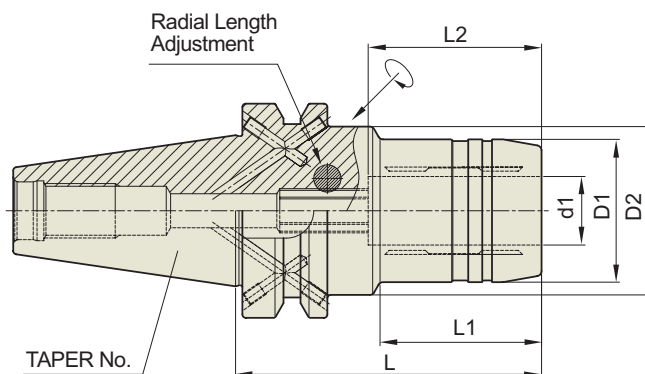


HYDRAULIC CHUCK (길이 조절형)

MAS - BT 403 FORM AD/B



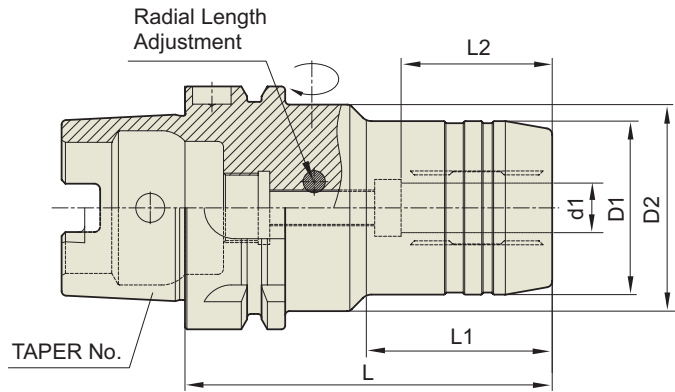
MAS - BT 403	Taper Accuracy AT3	G Value 2.5	RPM 20,000	Coolant System AD/B
-----------------	--------------------------	----------------	---------------	---------------------------

TAPER No.	CODE No.	d1	D1	D2	L	L1	L 2	중량 (KG)	재고
30	BT30AD/B-HCR12-85	12	32	44.5	85	40	37	0.90	●
	BT30AD/B-HCR20-85	20	44	44	85	-	42	1.00	●
40	BT40AD/B-HCR12-90	12	32	44.5	90	44.5	37	1.50	●
	BT40AD/B-HCR20-90	20	42	49.5	90	47.5	42	1.60	●
	BT40AD/B-HCR32-105	32	60	60	105	-	55	2.20	●
50	BT50AD/B-HCR12-90	12	32	44.5	90	34	37	3.90	●
	BT50AD/B-HCR20-95	20	42	44.5	95	34	42	4.00	●
	BT50AD/B-HCR32-115	32	60	60	115	-	55	4.10	●

▶ 고발란싱급은 고객의 요청에 따라 G2.5/40,000rpm (G6.3/100,000rpm)으로도 제작 공급 가능합니다.

HYDRAULIC CHUCK (길이 조절형)

DIN69893-HSK FORM A



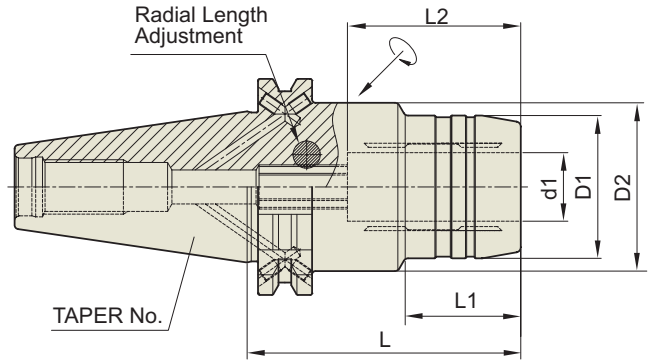
DIN69893 - HSK	Taper Accuracy AT3	G Value 2.5	RPM 20,000	Coolant System
-------------------	-----------------------	----------------	---------------	----------------

TAPER No.	CODE No.	d1	D1	D2	L	L1	L 2	중량 (KG)	재고
40A	HSK40A-HCR6-80	6	26	34	80	36	27	0.55	
	HSK40A-HCR8-80	8	28	34	80	36	27	0.55	
	HSK40A-HCR10-85	10	30	34	85	43	32	0.65	
	HSK40A-HCR12-90	12	32	34	90	48	37	0.70	
50A	HSK50A-HCR6-80	6	26	50	80	35	27	0.70	
	HSK50A-HCR8-80	8	28	50	80	35	27	0.70	
	HSK50A-HCR10-85	10	30	50	85	38	32	0.73	
	HSK50A-HCR12-90	12	32	50	90	40	37	0.80	
	HSK50A-HCR14-90	14	34	50	90	40	37	0.80	
	HSK50A-HCR16-95	16	38	50	95	46	42	1.00	
	HSK50A-HCR18-95	18	40	50	95	46	42	1.00	
	HSK50A-HCR20-100	20	42	50	100	48	42	1.10	
63A	HSK63A-HCR6-80	6	26	50	80	33	27	0.96	
	HSK63A-HCR8-80	8	28	50	80	33	27	0.98	
	HSK63A-HCR10-85	10	30	50	85	38	32	1.04	
	HSK63A-HCR12-90	12	32	50	90	40	37	1.06	●
	HSK63A-HCR14-90	14	34	50	90	46	37	1.08	
	HSK63A-HCR16-95	16	38	50	95	51	42	1.18	
	HSK63A-HCR18-95	18	40	50	95	52	42	1.20	
	HSK63A-HCR20-100	20	42	50	100	51	42	1.22	●
	HSK63A-HCR25-120	25	57	63	120	54.5	48	2.20	
	HSK63A-HCR32-125	32	64	75	125	57.5	55	2.60	●
100A	HSK100A-HCR6-85	6	26	63	85	33	27	3.60	
	HSK100A-HCR8-85	8	28	63	85	33	27	3.60	
	HSK100A-HCR10-90	10	30	63	90	36	32	3.80	
	HSK100A-HCR12-95	12	32	63	95	40	37	3.80	
	HSK100A-HCR14-95	14	34	63	95	41	37	3.80	
	HSK100A-HCR16-100	16	38	63	100	46	42	3.90	
	HSK100A-HCR18-100	18	40	63	100	46	42	3.90	
	HSK100A-HCR20-105	20	42	75	105	51	42	4.20	
	HSK100A-HCR25-115	25	57	75	115	55.5	48	4.40	
	HSK100A-HCR32-120	32	64	75	120	63.5	55	4.60	

▶ 고발란싱급은 고객의 요청에 따라 G2.5/40,000rpm (G6.3/100,000rpm)으로도 제작 공급 가능합니다.

HYDRAULIC CHUCK (길이 조절형)

DIN 69871 - SK FORM AD/B



DIN 69871 - SK	Taper Accuracy AT3	G Value 2.5	RPM 20,000	Coolant System AD/B
-------------------	-----------------------	----------------	---------------	------------------------

TAPER No.	CODE No.	d1	D1	D2	L	L1	L 2	중량 (KG)	재고
30	SK30AD/B-HCR12-85	12	32	44.5	85	40	37	0.90	
	SK30AD/B-HCR20-85	20	44	44	85	-	42	1.00	
40	SK40AD/B-HCR12-80.5	12	32	49.5	80.5	31.5	37	1.50	
	SK40AD/B-HCR20-80.5	20	42	49.5	80.5	34	42	1.60	
	SK40AD/B-HCR32-110	32	63	80	110	50	55	2.20	
50	SK50AD/B-HCR12-80.5	12	32	49.5	80.5	31.5	37	3.90	
	SK50AD/B-HCR20-80.5	20	42	49.5	80.5	34	42	4.00	
	SK50AD/B-HCR32-100	32	60	60	100	-	55	4.70	

▶ 고발란싱급은 고객의 요청에 따라 G2.5/40,000rpm (G6.3/100,000rpm)으로도 제작 공급 가능합니다.