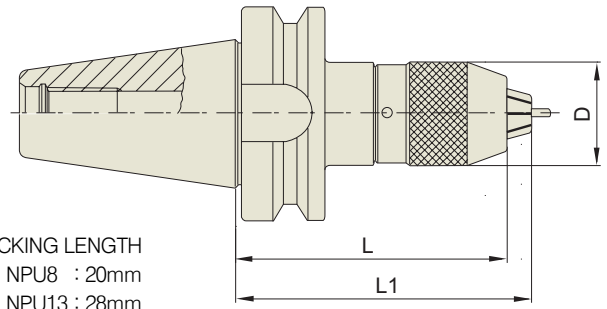


NC DRILL CHUCK

MAS403-BT

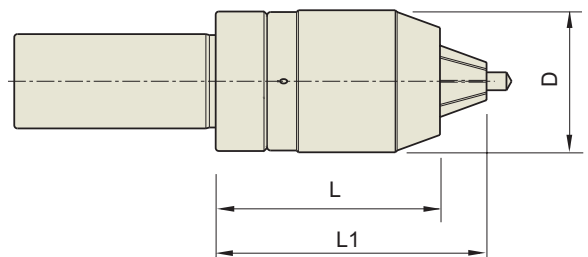


MAS403-BT	Taper Accuracy AT3	G Value	RPM	Coolant System
-----------	-----------------------	---------	-----	----------------

TAPER No.	CODE No.	CAPACITY	D	L(MIN)	L1(MAX)	Weight (kg)	Stock
30	BT30-NPU 8- 70	0.3~8	36.5	70	75.7	0.80	●
	BT30-NPU13-100	1~13	50.4	100	110	1.80	●
40	BT40-NPU 8- 70	0.3~8	36.5	70	75.7	1.50	●
	BT40-NPU 8-110	0.3~8	36.5	110	115.7	1.80	
	BT40-NPU 8-150	0.3~8	36.5	150	155.7	2.60	
	BT40-NPU13- 90	1~13	50.4	90	95.7	2.10	●
	BT40-NPU13-130	1~13	50.4	130	140	2.70	●
	BT40-NPU13-150	1~13	50.4	150	160	3.40	
50	BT50-NPU 8- 90	0.3~8	36.5	90	95.7	4.20	
	BT50-NPU 8-110	0.3~8	36.5	110	115.7	4.50	●
	BT50-NPU 8-170	0.3~8	36.5	170	180.7	5.20	●
	BT50-NPU13-100	1~13	50.4	100	110	4.80	●
	BT50-NPU13-130	1~13	50.4	130	140	5.20	●
	BT50-NPU13-150	1~13	50.4	150	160	5.50	●
	BT50-NPU13-190	1~13	50.4	190	200	5.90	●

NC DRILL CHUCK

NC DRILL CHUCK - K

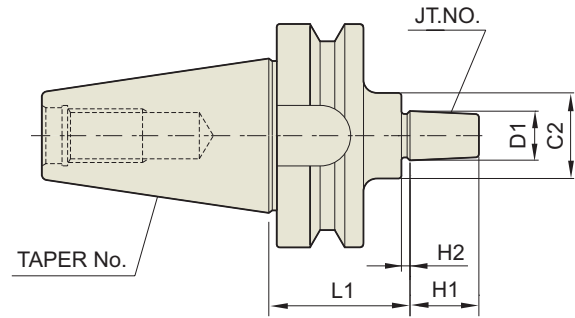


K	Taper Accuracy AT3	G Value	RPM	Coolant System
---	-----------------------	---------	-----	----------------

STYLE	CODE No.	CAPACITY	D	L(MIN)	L1(MAX)	d	Weight (kg)	Stock
32	K32-NPU 8- 70	0.3~8	36.5	70	75.7	32	0.70	●
	K32-NPU13-100	1~13	50.4	100	110	32	1.50	●
42	K42-NPU 8- 70	0.3~8	36.5	70	75.7	42	0.80	
	K42-NPU13-100	1~13	50.4	100	110	42	1.60	

JACOBS TAPER ADAPTER

MAS403-BT



MAS403 -BT	Taper Accuracy AT3	G Value	RPM	Coolant System
---------------	--------------------------	---------	-----	-------------------

NC DRILL
CHUCK

TAPER No.	CODE No.	JT. No.	D1	L1	H1	H2	C1	Weight (kg)	Stock
30	BT30-JTA 1-45	1	9.754	45	14	3	30	0.9	
	BT30-JTA 2-45	2	14.199	45	20	4	30	1.0	
	BT30-JTA 6-45	6	17.17	45	24	4	30	1.0	●
40	BT40-JTA 1-45	1	9.754	45	14	3	30	1.1	
	BT40-JTA 1-90	1	9.754	90	14	3	30	1.1	
	BT40-JTA2S-45	2Shot	13.94	45	18	3	30	1.4	
	BT40-JTA2S-90	2Shot	13.94	90	18	3	30	1.4	
	BT40-JTA 2-45	2	14.199	45	20	4	30	1.1	
	BT40-JTA 2-90	2	14.199	90	20	4	30	1.4	
	BT40-JTA33-45	33	15.85	45	24	4	30	1.1	
	BT40-JTA33-90	33	15.85	90	24	4	30	1.4	
	BT40-JTA 6-45	6	17.17	45	24	4	30	1.1	●
	BT40-JTA 6-90	6	17.17	90	24	4	30	1.4	●
	BT40-JTA 3-45	3	20.599	45	28	5	35	1.2	
	BT40-JTA 3-90	3	20.599	90	28	5	35	1.5	
50	BT50-JTA 1-45	1	9.754	45	14	3	30	4.0	
	BT50-JTA 1-105	1	9.754	105	14	3	30	4.4	
	BT50-JTA2S-45	2Shot	13.94	45	18	3	30	4.0	
	BT50-JTA2S-105	2Shot	13.94	105	18	3	30	4.4	
	BT50-JTA 2-45	2	14.199	45	20	4	30	4.0	
	BT50-JTA 2-105	2	14.199	105	20	4	30	4.4	
	BT50-JTA33-45	33	15.85	45	24	4	30	4.0	
	BT50-JTA33-105	33	15.85	105	24	4	30	4.4	
	BT50-JTA 6-45	6	17.17	45	24	4	30	4.0	●
	BT50-JTA 6-105	6	17.17	105	24	4	30	4.4	●
	BT50-JTA 3-45	3	20.599	45	28	5	35	4.0	
	BT50-JTA 3-105	3	20.599	105	28	5	35	4.6	