

SQUARE BORING BAR (45°)

MAS 403 BT



FIG. 1

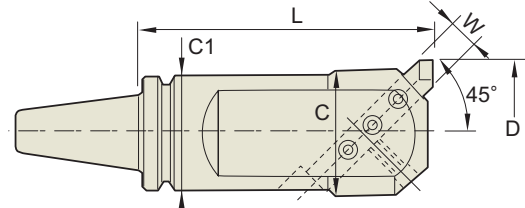
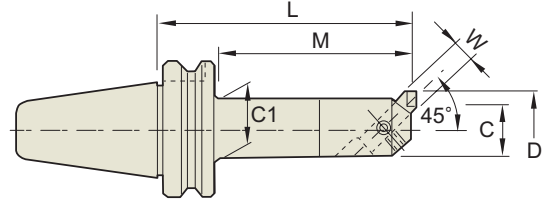


FIG. 2



MAS - BT 403	Taper Accuracy AT3	G Value	RPM	Coolant System
-----------------	--------------------------	---------	-----	-------------------

TAPER No.	CODE No.	D		L	C	C1	W	M	중량 (KG)	재고
		Min	Max							
30	BT30-BSA25-120	25	38	120	20	22	8	90	1.0	
	BT30-BSA30-135	30	42	135	24	26	8	105	1.1	
	BT30-BSA38-150	38	52	150	30	33	10	120	1.4	
	BT30-BSA42-150	42	56	150	34	37	10	125	1.6	
	BT30-BSA50-150	50	65	150	40	44	13	125	1.8	
40	BT40-BSA25-135	25	38	135	20	22	8	108	1.3	
	BT40-BSA30-165	30	42	165	24	26	8	138	1.5	
	BT40-BSA38-180	38	52	180	30	33	10	153	1.8	
	BT40-BSA42-210	42	56	210	34	37	10	183	2.3	
	BT40-BSA50-180	50	65	180	40	44	13	153	2.4	
	BT40-BSA50-225	50	65	225	40	44	13	198	2.9	
	BT40-BSA62-180	62	90	180	50	54	16	153	3.2	
	BT40-BSA62-240	62	90	240	50	54	16	213	4.2	
	BT40-BSA72-180	72	110	180	60	63	19	153	4.4	
	BT40-BSA72-240	72	110	240	60	63	19	213	5.7	
BT40-BSA90-180	90	125	180	75	63	19	153	5.4		
50	BT50-BSA25-135	25	38	135	20	22	8	95	4.4	
	BT50-BSA30-165	30	42	165	24	26	8	125	4.6	
	BT50-BSA38-180	38	52	180	30	33	10	140	4.8	
	BT50-BSA42-210	42	56	210	34	37	10	170	5.0	
	BT50-BSA50-180	50	65	180	40	44	13	140	5.4	
	BT50-BSA50-240	50	65	240	40	44	13	200	5.7	
	BT50-BSA62-195	62	90	195	50	54	16	155	6.1	
	BT50-BSA62-270	62	90	270	50	54	16	230	7.5	
	BT50-BSA72-195	72	110	195	60	66	19	155	6.9	
	BT50-BSA72-285	72	110	285	60	66	19	245	9.3	
	BT50-BSA90-210	90	125	210	75	80	19	170	9.2	
	BT50-BSA90-300	90	125	300	75	80	19	260	12.3	
	BT50-BSA105-195	105	160	195	90	90	25	157	10.5	
BT50-BSA105-285	105	160	285	90	90	25	247	14.8		

SQUARE BORING BAR (90°)

MAS 403 BT

FIG. 1

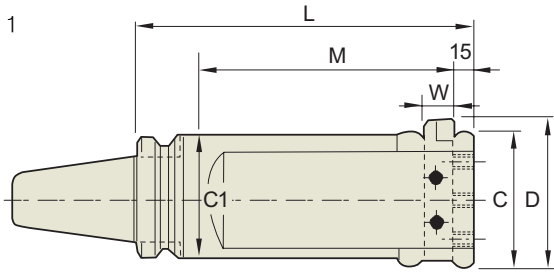
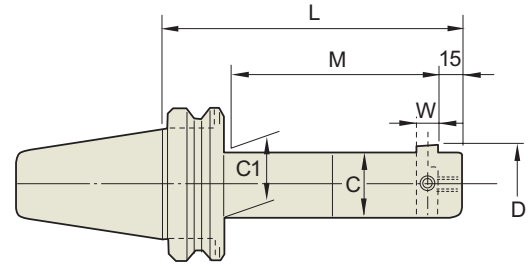


FIG. 2



MAS
- BT 403

Taper
Accuracy
AT3

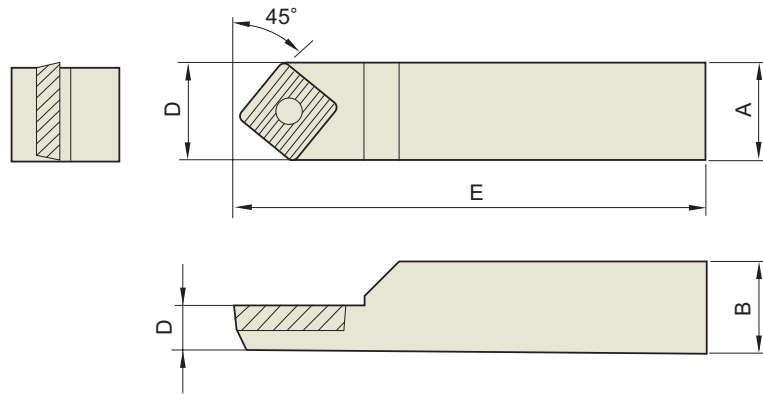
G Value

RPM

Coolant
System

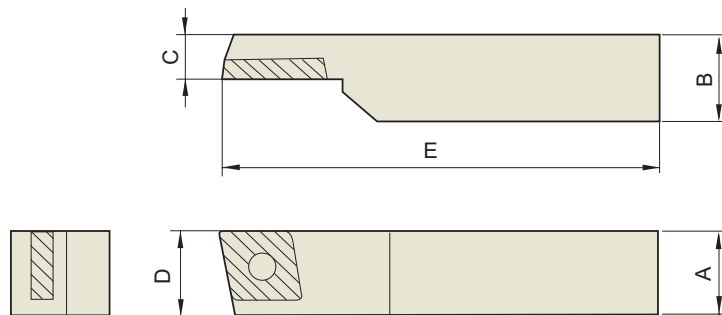
TAPER No.	CODE No.	D		L	C	C1	W	M	중량 (KG)	재고
		Min	Max							
30	BT30-BSB25-120	25	50	120	20	22	8	90	1.1	
	BT30-BSB38-150	38	70	150	30	33	10	120	1.5	
	BT30-BSB50-150	50	90	150	40	44	13	125	2.2	
40	BT40-BSB25-135	25	50	135	20	22	8	108	1.3	
	BT40-BSB38-180	38	70	180	30	33	10	153	1.9	
	BT40-BSB50-180	50	90	180	40	44	13	153	2.6	
	BT40-BSB50-225	50	90	225	40	44	13	198	3.1	
	BT40-BSB62-180	62	115	180	50	56	16	153	3.4	
	BT40-BSB62-225	62	115	225	50	56	16	198	4.1	
	BT40-BSB72-180	72	135	180	60	66	19	153	4.7	
	BT40-BSB72-225	72	135	225	60	66	19	198	5.6	
	BT40-BSB90-180	90	150	180	75	80	19	153	5.7	
	BT40-BSB90-225	90	150	225	75	80	19	198	6.6	
50	BT50-BSB25-135	25	50	135	20	22	8	95	4.1	
	BT50-BSB38-180	38	70	180	30	33	10	140	4.8	
	BT50-BSB50-180	50	90	180	40	44	13	140	5.5	
	BT50-BSB50-240	50	50	240	40	44	13	200	5.7	
	BT50-BSB62-195	62	115	195	50	56	16	155	6.4	
	BT50-BSB62-270	62	115	270	50	56	16	230	7.9	
	BT50-BSB72-195	72	135	195	60	66	19	155	7.3	
	BT50-BSB72-285	72	135	285	60	66	19	245	9.6	
	BT50-BSB90-210	90	150	210	75	80	19	170	9.6	
	BT50-BSB90-300	90	150	300	75	80	19	260	12.6	
	BT50-BSB105-195	105	190	195	90	-	25	155	11.1	
	BT50-BSB105-285	105	190	285	90	94	25	245	15.4	

스퀘어바이트 SQUARE BITE



구분	A	B	C	D	E	SCREW	WRENCH	INSERT
규격								
SBC08-45	08	08	6.3	8.39	70	SSB-2506	T7	CCMT0602
SBC10-45	10	10	7	10.39	70	SSB-2506	T7	CCMT0602
SBC13-45	13	13	10	13.6	80	SSB-4009	T15	CCMT09T3
SBC16-45	16	16	11	16.68	100	SSB-5012	T15	CCMT1204
SBC19-45	19	19	11	19.68	100	SSB-5012	T15	CCMT1204
SBC25-45	25	25	12.5	25.68	120	SSB-5012	T15	CCMT1204

스퀘어바이트 SQUARE BITE



구분	A	B	C	D	E	SCREW	WRENCH	INSERT
규격								
SBC08-90	08	08	6.3	8.4	70	SSB-2506	T7	CCMT0602
SBC10-90	10	10	7	10.4	70	SSB-2506	T7	CCMT0602
SBC13-90	13	13	10	13.6	80	SSB-4009	T15	CCMT09T3
SBC16-90	16	16	11	16.7	100	SSB-5012	T15	CCMT1204
SBC19-90	19	19	11	19.7	100	SSB-5012	T15	CCMT1204
SBC25-90	25	25	12.5	25.7	120	SSB-5012	T15	CCMT1204