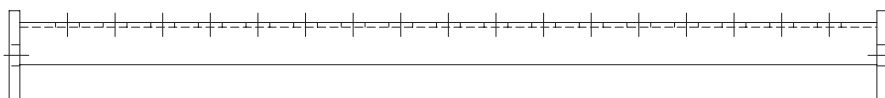
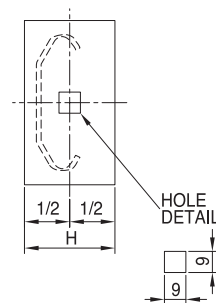
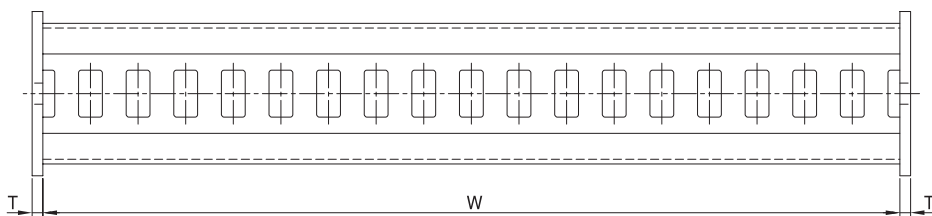
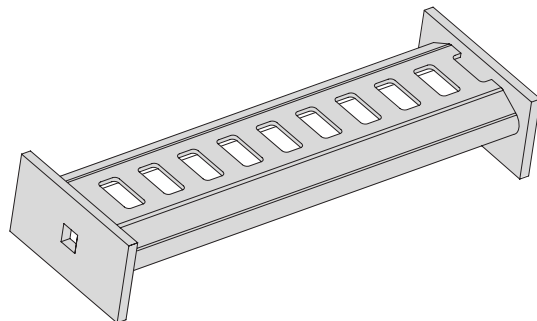
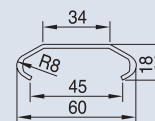


HANGER TYPE CABLE TRAY(SLS)



TIER BAR DETAIL



TYPE	SIZE					WEIGHT
	W	TIER BAR TYPE	L	T	Y	
SL-2	200	T-2 (2.0t)	70	4.5	38	0.45
SL-3	300	T-3 (2.0t)	70	4.5	38	0.59
SL-4	400	T-4 (2.0t)	70	4.5	38	0.72
SL-5	500	T-5 (2.0t)	70	4.5	38	0.85
SL-6	600	T-6 (2.0t)	70	4.5	38	0.98
SL-7	700	T-7 (2.0t)	70	4.5	38	1.11
SL-8	800	T-8 (2.0t)	70	4.5	38	1.25
SL-9	900	T-9 (3.2t)	70	4.5	38	2.09
SL-10	1000	T-10 (3.2t)	70	4.5	38	2.3
SL-11	1100	T-11 (3.2t)	70	4.5	38	2.51
SL-12	1200	T-12 (3.2t)	70	4.5	38	2.72