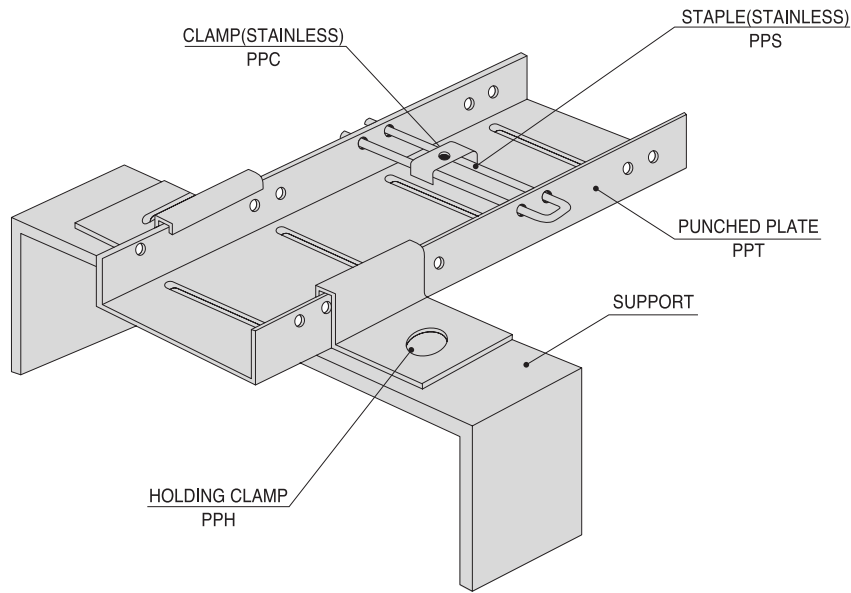
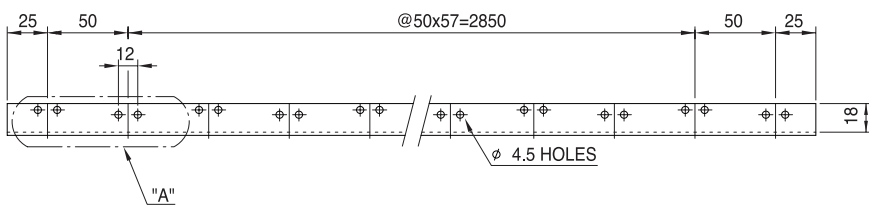
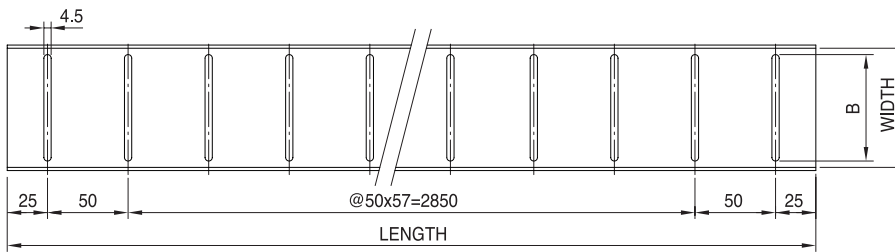


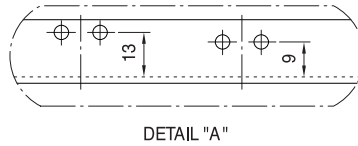
PUNCHED PLATE



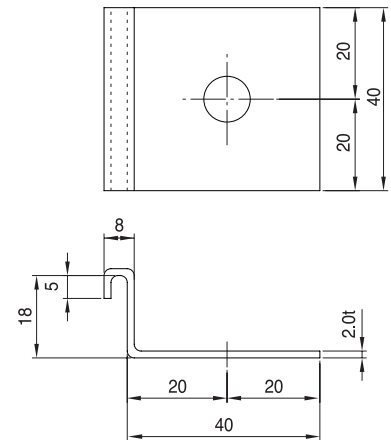
PUNCHED PLATE



| CATALOG NO. | WIDTH | B | LENGTH |
|-------------|-------|----|--------|
| PPT-00330 | 35 | 27 | 3000 |
| PPT-00530 | 50 | 42 | 3000 |
| PPT-00730 | 70 | 62 | 3000 |
| PPT-01030 | 100 | 92 | 3000 |



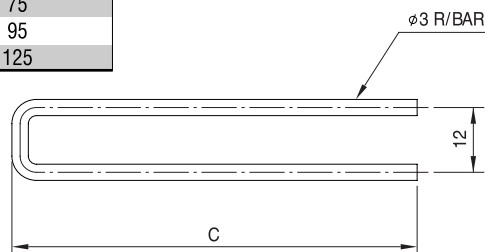
HOLDING CLAMP



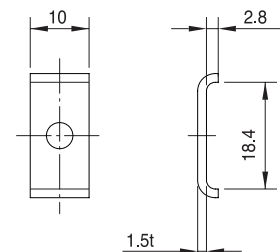
| CATALOG NO. |
|-------------|
| PPH-4018 |

STAPLE

| CATALOG NO. | C |
|-------------|-----|
| PPS-003 | 60 |
| PPS-005 | 75 |
| PPS-007 | 95 |
| PPS-010 | 125 |



CLAMP



| CATALOG NO. |
|-------------|
| PPC-1018 |