

# SNS TELESCOPIC DIPPER



- LIFTING MATERIALS AND RESOURCES FROM DEEP HOLES AND TRENCHES.
- DIGGING WET, SOFT SOIL OF UNDERGROUND.
- DEEP DIGGING OR SUBWAY CONSTRUCTION APPLICATIONS.

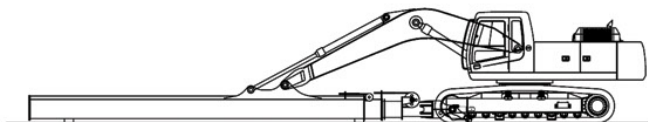
### All packages come fully equipped with

- 3-stage telescopic box.
- Telescopic cylinder.
- Open/close piping inside tele' box.
- Pin for arm cylinder and clamshell adapter.
- Optional sliding cab kit available.

### Features

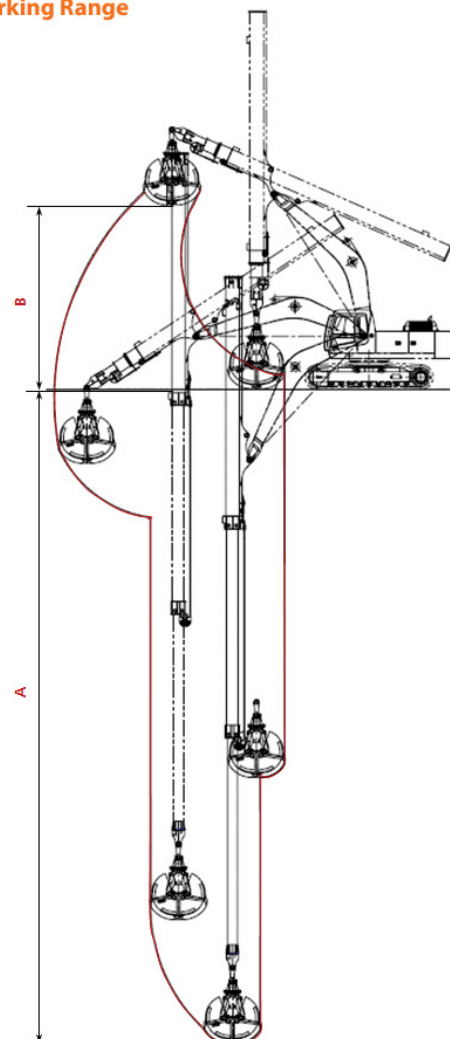
- High strength steel yields maximum strength to weight ratio.
- Telescopic cylinder and all hydraulic lines are inside the box structure to be protected from unexpected clash.
- A large variety of clamshell bucket or grapple available.
- Customized design for specific digging depth.
- CCTV camera and LCD monitor available. (Option).

### Parking Position



Working range shown is a general representation and will vary with machine and attachment size.

### Working Range



Sun and Shield



Application for Excavator

EXCAVATOR CLASS		SNS MODEL	A		B		RECOMMENDED CLAMSHELL BUCKET CAPACITY	
			MAX. VERTICAL DIGGING DEPTH		MAX. DUMPING HEIGHT (CLOSED)			
tons	lbs		m	ft	m	ft	cu.m	cu.yd
21	46300	STD20-69	21	68'9"	5.6	18'4"	0.6	0.8
25	55120	STD20-76	23	75'4"	5.7	18'7"	0.8	1.0
30	66140	STD30-82	25	82'0"	6.0	19'7"	1.0	1.3
34	74960	STD35-89	27	88'6"	5.5	18'0"	1.3	1.7
38	83780	STD35-99	30	98'4"	5.7	18'7"	1.4	1.8
50	110230	STD45-99	30	98'4"	6.2	20'3"	1.7	2.2
50	110230	STD45-112	34	111'5"	6.6	21'6"	1.5	2.0

These details are for guidance only and may be changed for improvement without prior notice.

### STD Option Equipment

#### • Attachment



Orange Grapple



Clamshell Bucket (HCB)



Extension



Hydraulic Sliding Cab Kits



Additional Counter Weight (Bottom Type)

#### • Cabin Modification & Counter Weight

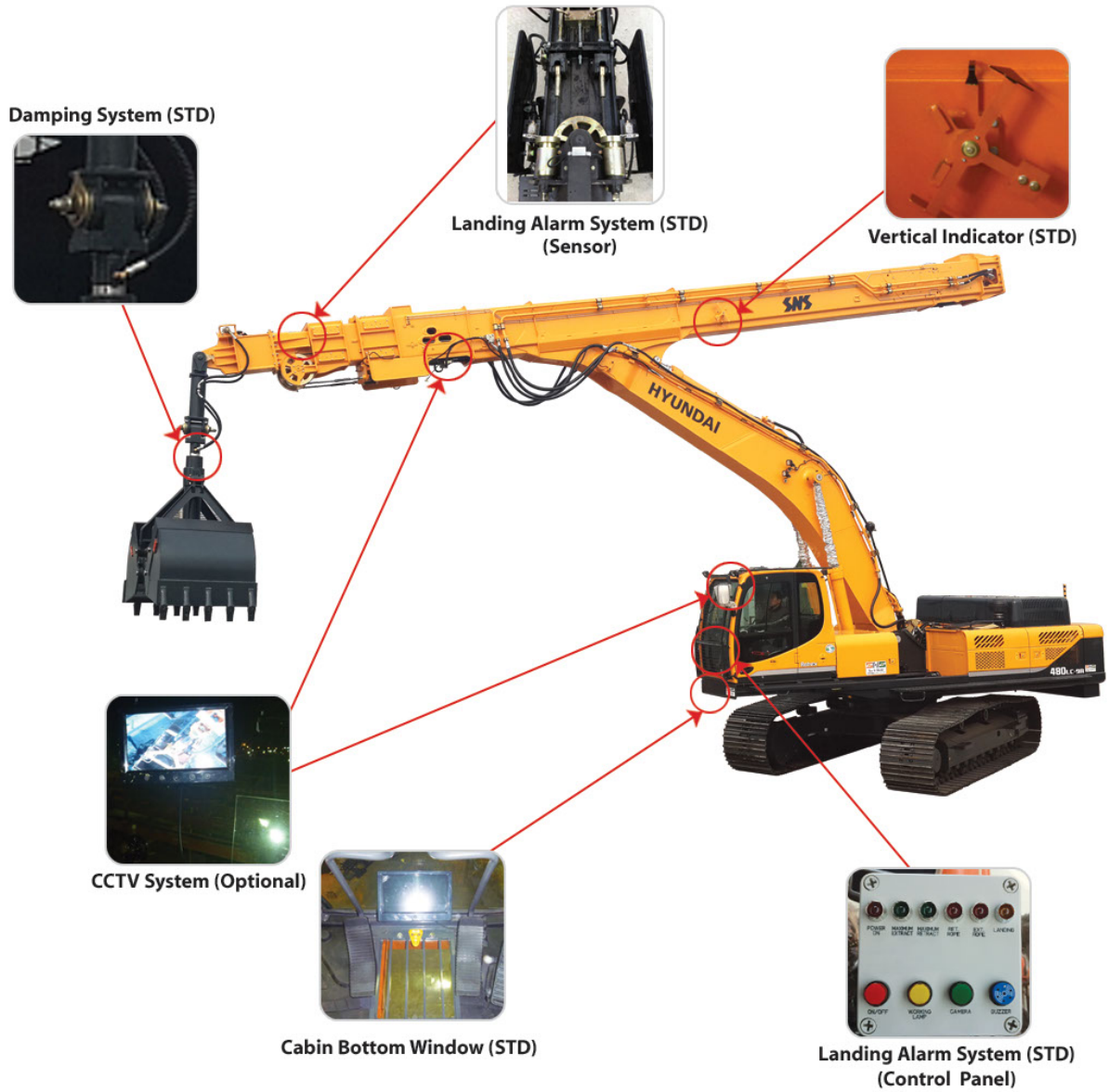
Excavator Attachment

Loader Attachment



Sun and Shield

Application for Excavator



Excavator Attachment

Loader Attachment