

세대 분전반용

surgeZERO Class II / SZE-N-1P2W, SACO-S



▲ SZE-N-1P2W

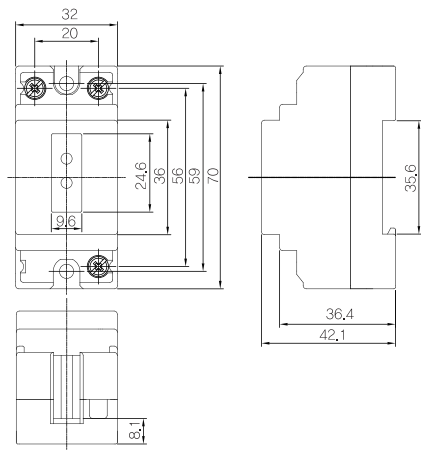


▲ SACO-S

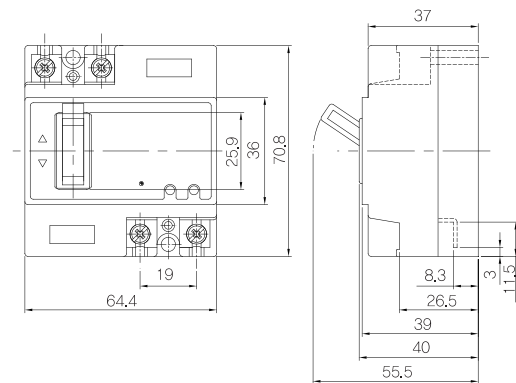
Technical data

Model		SZE-N-1P2W , SACO-S	
Electrical characteristics		SZE-N-1P2W	SACO-S
Nominal operating voltage	U_n	220V	220V
Max. continuous operating voltage	U_c	275V	275V
	U_c (N-PE)	275V	255V
Nominal discharge current (8/20)	I_n	5kA	10kA
Max. discharge current (8/20)	I_{max}	10kA	20kA
Voltage protection level at I_n	U_p	<1.5kV	
Response time	$t_A(L-N/N-PE)$	<25ns	<25ns/100ns
Temperature range		-40°C~+80°C	
Degree of protection		IP20	
Mounting		DIN rail 35mm or 2 x M4 Bolt	2 x M3 Bolt

Dimension / Internal configuration



▲ SZE-N-1P2W



▲ SACO-S