

surgeZERO : Class II / SZK040-XXX



▲ 1P2W



▲ 3P3W

- LED 동작상태 표시 기능
- Mov Fault Alarm 기능 (Option)
- LED indicators for fault and Power
- Remote contact (option)

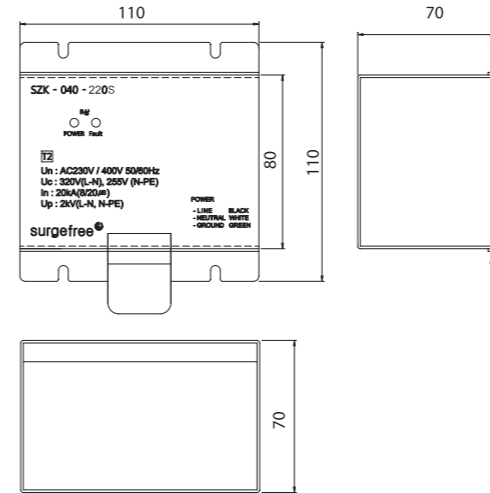
Technical data

Model	SZK040-XXX				
Electrical characteristics		120S	220S	220D	440D
Max. continuous operating voltage	$U_c$	150V	320V	150V	320V
	$U_c$ (N-PE)	255V	255V	-	-
Nominal discharge current (8/20)	$I_n$ (L-N/N-PE)	20kA	20kA	20kA	20kA
Max. discharge current (8/20)	$I_{max}$ (L-N/N-PE)	40kA	40kA	40kA	40kA
Voltage Protection level at $I_n$	$U_p$	<1.5kV	<2kV	<1.5kV	<2kV
	$U_p$ (N-PE)	<2kV	<2kV	-	-
Response time	$t_A$ (L-N/N-PE)	<25ns/100ns	<25ns/100ms	<25ns	<25ns
Thermal protection	(L-N)	Yes	Yes	Yes	Yes
Short-circuit withstand current	$I_{SCCR}$ (L-N)	100kA	100kA	100kA	100kA

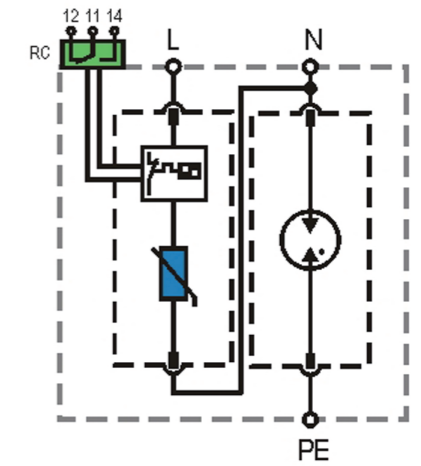
Mechanical characteristics	120S	220S	220D	440D
Temperature range		-40°C~+80°C		
Mounting		4xM4 Bolt		
Degree of protection		IP20		
Housing material		Steel		
Indication of disconnecter operation		Red LED (ON)		
Remote contacts (RC)		Yes (Option)		
Contact ratings		AC 250V/1A, 125V/2A		
Conductor size		≥6mm <sup>2</sup>		

SZK040-XXX-S 1P2W

Dimension

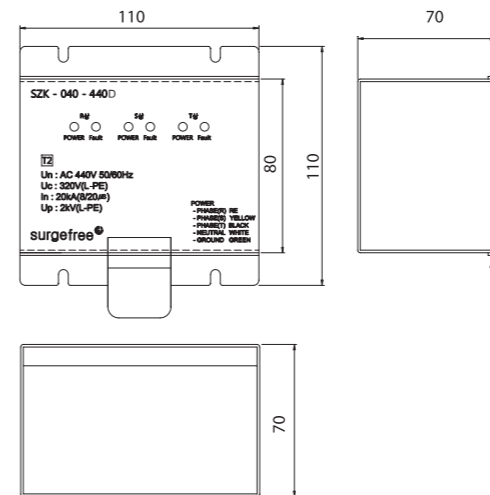


Internal configuration

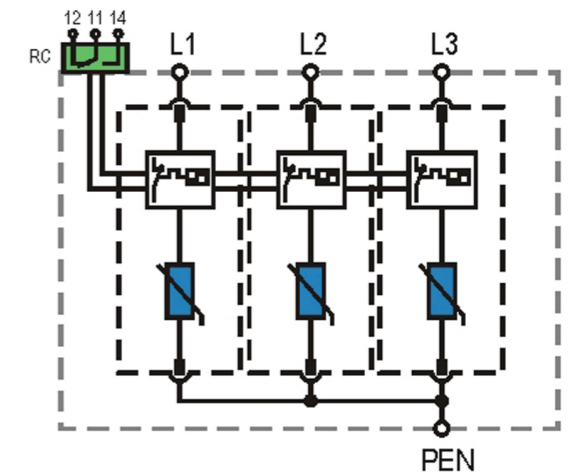


SZK040-XXX-D 3P3W

Dimension



Internal configuration



surgeZERO : Class II / SZK040-XXX



▲ 3P4W

- LED 동작상태 표시 기능
- Mov Fault Alarm 기능 (Option)
- LED indicators for fault and Power
- Remote contact (option)

Technical data

Model	SZK040-XXX			
Electrical characteristics	208Y	380Y	480Y	
Max. continuous operating voltage	$U_c$	150V	320V	385V
	$U_c$ (N-PE)	255V	255V	255V
Nominal discharge current (8/20)	$I_n$ (L-N/N-PE)	20kA	20kA	20kA
Max. discharge current (8/20)	$I_{max}$ (L-N/N-PE)	40kA	40kA	40kA
Voltage Protection level at $I_n$	$U_p$	<1.5kV	<2kV	<3kV
	$U_p$ (N-PE)	<2kV	<2kV	<2kV
Response time	$t_A$ (L-N/N-PE)	<25ns/100ns	<25ns/100ns	<25ns/100ns
Thermal protection	(L-N)	Yes	Yes	Yes
Short-circuit withstand current	$I_{SCCR}$ (L-N)	100kA	100kA	100kA

Mechanical characteristics	208Y	380Y	480Y
Temperature range	-40°C~+80°C		
Mounting	4xM4 Bolt		
Degree of protection	IP20		
Housing material	Steel		
Indication of disconnecter operation	Red LED (ON)		
Remote contacts (RC)	Yes (Option)		
Contact ratings	AC 250V/1A, 125V/2A		
Conductor size	≥6mm <sup>2</sup>		

SZK040-XXX-Y 3P4W

Dimension

Internal configuration

