

surgeZERO : Class II / SZ080-XXX



▲ 1P2W

▲ 3P3W

- LED 동작상태 표시 기능
- 각 상별 서지 카운터 (Option)
- Mov Fault Alarm 기능 (Option)
  
- LED indicators for fault and Power
- Surge counter is option
- Remote contact is option

Technical data

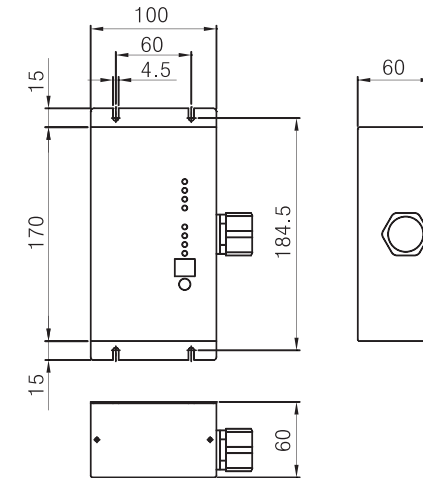
Model		SZ080-XXX			
Electrical characteristics		120S	220S	220D	440D
Max. continuous operating voltage	$U_c$	150V	320V	150V	320V
Nominal discharge current (8/20)	$I_n$ (L/N-PE)	40kA	40kA	40kA	40kA
Max. discharge current (8/20)	$I_{max}$ (L/N-PE)	80kA	80kA	80kA	80kA
Voltage Protection level at $I_n$	$U_p$	<2kV	<3kV	<2kV	<3kV
Response time	$t_A$ (L/N-PE)	<25ns	<25ns	<25ns	<25ns
Thermal protection	(L/N-PE)	Yes	Yes	Yes	Yes
Short-circuit withstand current	$I_{SCCR}$ (L/N-PE)	100kA	100kA	100kA	100kA
Mechanical characteristics		120S	220S	220D	440D
Temperature range			-40°C~+80°C		
Mounting			4xM4 Bolt		
Degree of protection			IP20		
Housing material			Steel		
Indication of disconnecter operation			Red LED (ON)		
Remote contacts (RC)			Yes (Option)		
Contact ratings			AC 250V/1A, 125V/2A		
Conductor size			L/N: ≥6mm <sup>2</sup> , PE: ≥10mm <sup>2</sup>		

Ordering Guidelines

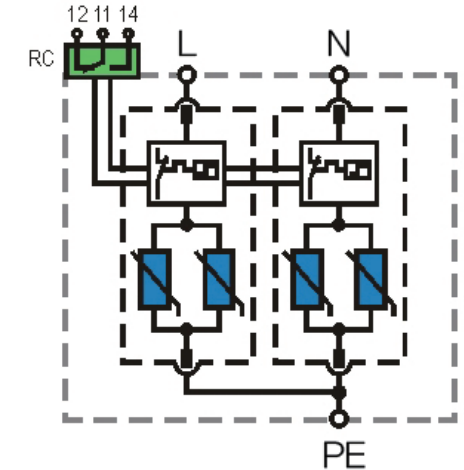
SZ080- A B C	<b>A : Nominal voltage</b>	<b>B : Phase / Wire</b>	<b>C : Option</b>
	120 : 120Vac	S : 1φ2W	E : Standard
	220 : 220Vac	D : 3φ3W	C : Counter
	380 : 380Vac	Y : 3φ4W	R : Relay contact
	440 : 440Vac		
	480 : 480Vac		

SZ080-XXX-S 1P2W

Dimension

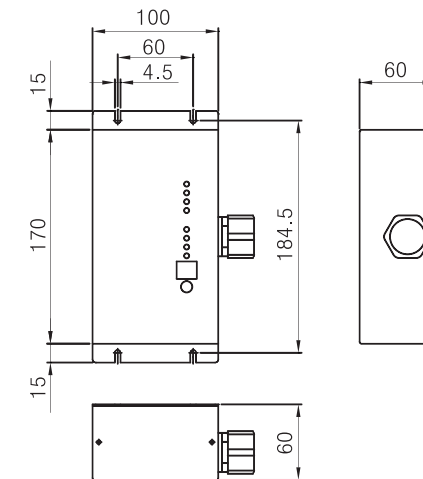


Internal configuration

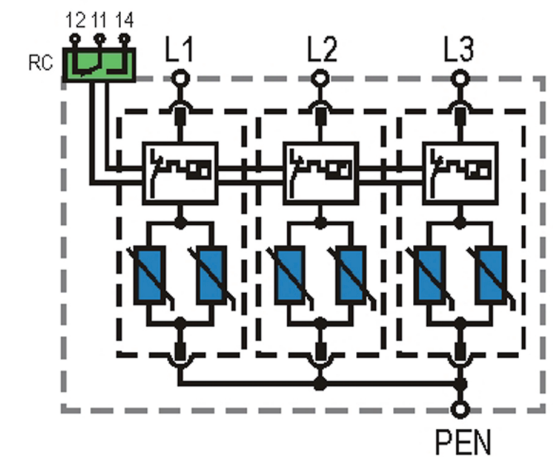


SZ080-XXX-D 3P3W

Dimension



Internal configuration



surgeZERO : Class II / SZ080-XXX



▲ 3P4W

- LED 동작상태 표시 기능
- 각 상별 서지 카운터 (Option)
- Mov Fault Alarm 기능 (Option)
  
- LED indicators for fault and Power
- Surge counter is option
- Remote contact is option

Technical data

Model		SZ080-XXX		
Electrical characteristics		208Y	380Y	480Y
Max. continuous operating voltage	$U_c$	150V	320V	385V
Nominal discharge current (8/20)	$I_n$ (L/N-PE)	40kA	40kA	40kA
Max. discharge current (8/20)	$I_{max}$ (L/N-PE)	80kA	80kA	80kA
Voltage Protection level at $I_n$	$U_p$	<2kV	<3kV	<4kV
Response time	$t_A$ (L/N-PE)	<25ns	<25ns	<25ns
Thermal protection	(L/N-PE)	Yes	Yes	Yes
Short-circuit withstand current	$I_{SCCR}$ (L/N-PE)	100kA	100kA	100kA

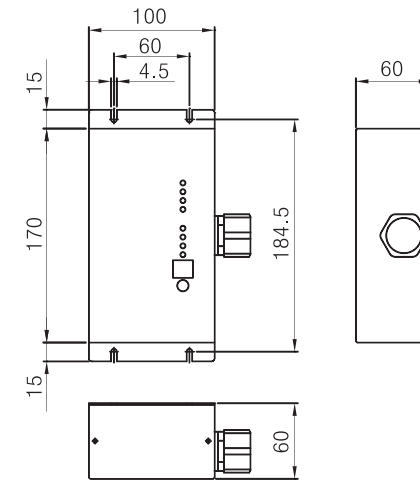
Mechanical characteristics		208Y	380Y	480Y
Temperature range		-40°C~+80°C		
Mounting		4xM4 Bolt		
Degree of protection		IP20		
Housing material		Steel		
Indication of disconnecter operation		Red LED (ON)		
Remote contacts (RC)		Yes (Option)		
Contact ratings		AC 250V/1A, 125V/2A		
Conductor size		L/N: ≥6mm <sup>2</sup> , PE: ≥10mm <sup>2</sup>		

Ordering Guidelines

SZ080- A B C	<b>A : Nominal voltage</b>	<b>B : Phase / Wire</b>	<b>C : Option</b>
	120 : 120Vac	S : 1φ2W	E : Standard
	220 : 220Vac	D : 3φ3W	C : Counter
	380 : 380Vac	Y : 3φ4W	R : Relay contact
	440 : 440Vac		
	480 : 480Vac		

SZ080-XXX-Y 3P4W

Dimension



Internal configuration

