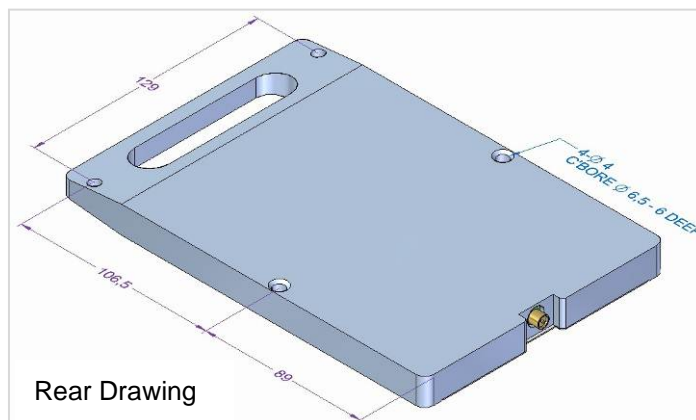
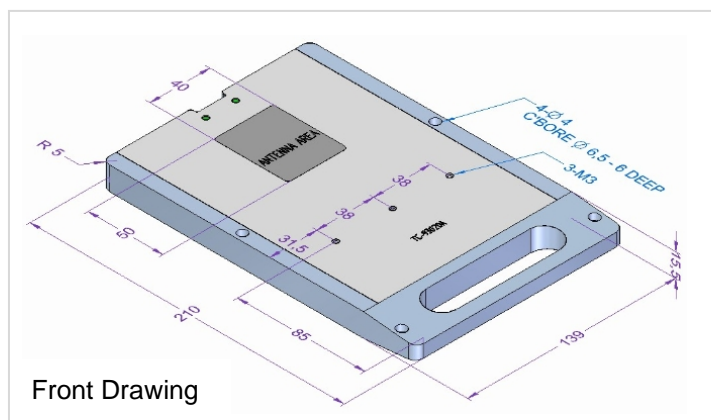
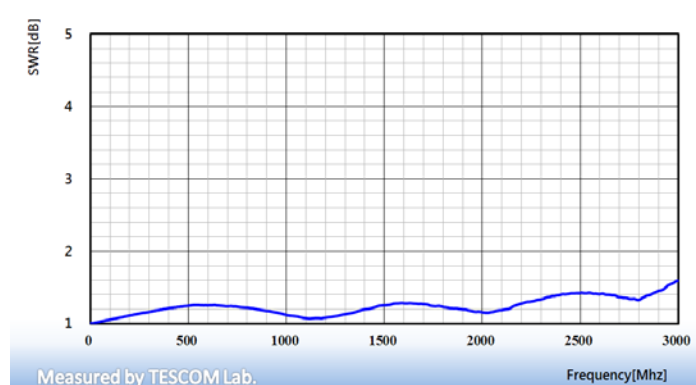


# TC-93020A Flat Type Antenna Coupler



## Specification

|                 |                            |
|-----------------|----------------------------|
| Frequency Range | 80 ~ 2650 MHz              |
| RF Connector    | SMA(f)                     |
| Dimension       | 130(W) x 210(D) x 12(H) mm |
| Weight          | 1 kg                       |
| Terminal        | 50 ohm                     |
| VSWR            | better than 1 : 1.7        |



Typical VSWR of TC-93020A

## Ordering Information

| Order Number | Description  |
|--------------|--|
| TC-93020A    | Flat Type Antenna Coupler (including accessories below)<br>SMA(m) R/A to SMA(m) cable, 22 cm - 4005-0031 |