

# TCM-N170CT

Last Revised : 2016-07-18

Revision# : 0.3

## 17 Inch CCTV Monitor for Marine and Industrial

### GENERAL

This specification defines the requirements for the TCM-N170CT. 17" TFT LCD monitor with 1280 x 1024 pixels visible resolution, which is designed and tailored for use in operator display systems such as CCTV for Marine and industrial applications.



### KEY FEATURES

- 17.0 inch TFT active-matrix liquid crystal panel
- High Quality TFT with LED Backlight
- 1280 x 1024 resolutions
- DVI, VGA, S-Video, Composite Input Signal
- Console Mounting (Option : Desktop/Ceiling Mounting)
- Power range : 110VAC~230VAC 50/60Hz or 18~36VDC

#### TFT Technology :

- High Quality TFT with LED Backlight
- 17 inch Viewable size
- Aspect Ratio 5:4

#### Physical Characteristics :

- Dimension : 444 (W) x 353 (H) x 71.5 (D) mm
- VESA mounting : 100 x 100 mm, 4 x M6 , Max 10mm depth
- Weight : 6.5Kg

#### TFT Characteristics :

- Resolution : 1280 x 1024
- Pixel Pitch : 0.264 (H) x 0.264 (V) mm
- Response Time : 5ms (typical), black to white
- Contrast Ration : 1000:1
- Luminance : 250cd/m<sup>2</sup> (typical)
- View Angle : 85°/85°/80°/80° (Right/Left/Up/Down)
- Active Display Area : 337.92 (H) x 270.34 (V) mm
- Max Colors : 16.7 million

#### Signal Connector :

- DVI : 1 x DVI (female)
- RGB : 1 x D-Sub (female)
- Composite Video : 1 x BNC (female)
- Power In : 1 x IEC Std Inlet(AC) or 1x 2-Pin Terminal Block(DC)

#### User Control :

- Power, Mode, Up, Down, Select, Menu
- Bright Control (Up/Down key)

#### Synchronization Range :

- Horizontal : 31~80KHz
- Vertical : 60Hz~76Hz

#### Environmental Limits :

- Operating Temperature : 0° ~ +60° (up to R.H. 95%)
- Storage Temperature : -20° ~ +60° (up to R.H. 95%)
- IP Rating : IP-65 (front)

#### Supported Resolution :

##### Resolution :

- VGA : 640 x 480
- SVGA : 800 x 600
- XGA : 1024 x 768
- SXGA : 1280 x 1024 (optimal setting)

##### Video Signal :

- NTSC, PAL, SECAM

#### Factory Options :

- Resistive Touch Screen (USB B type or Serial)
- Projected Capacitive Touch or Resistive Touch Screen (USB B Type)
- Optical Bonding

#### Power Specification :

##### Power Supply

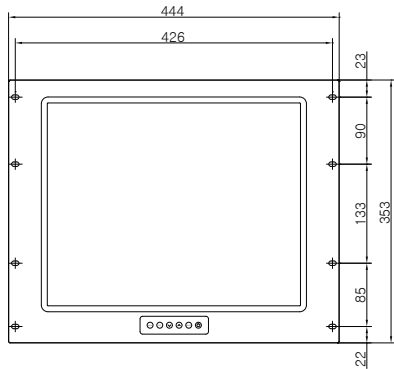
- Input : 100~240VAC 50/60Hz 1.5A or DC24V (18~36VDC)

##### Power Consumption

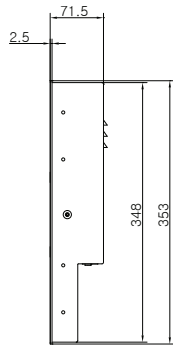
- Operating Standard : 25W (typical)

# CCTV LCD MONITOR

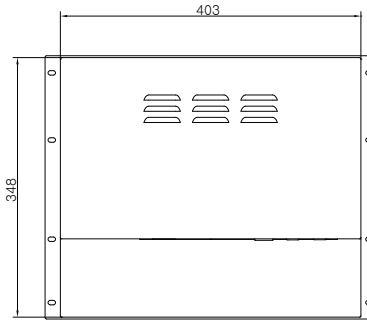
## TCM-N170CT



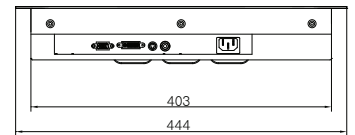
FRONT VIEW



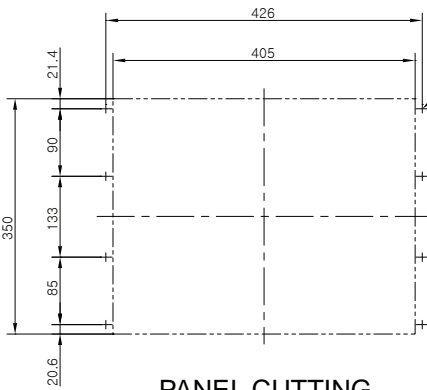
SIDE VIEW



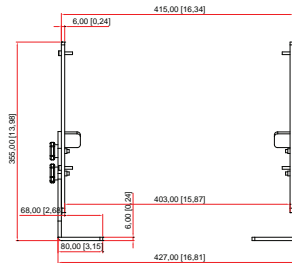
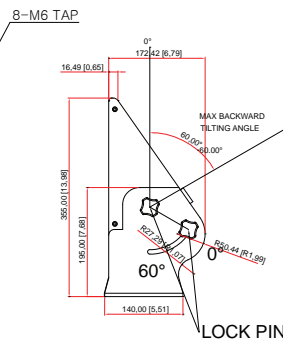
REAR VIEW



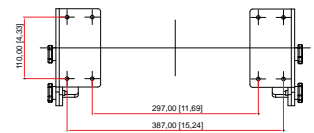
BOTTOM VIEW



PANEL CUTTING



<BRACKET VIEW>



### Tetradyne Co., LTD.

#604/605, E&C VENTURE DREAM TOWER II, 55,  
DIGITAL-RO 33-GIL, GURO-GU, SEOUL, 08376, REP KOREA  
Tel : +82-2-323-4972  
E-mail : [sales@tetradyne.co.kr](mailto:sales@tetradyne.co.kr)  
Web site : [www.tetradyne.co.kr](http://www.tetradyne.co.kr)

Contact Point

Specifications and features are subject to change without notice.

All products names are trademarks or registered trademarks of Tetradyne.co.,Ltd.