

# TCM-N190SR

## 19 Inch Sunlight Readable LCD Monitor

### GENERAL

This specification defines the descriptions for the TCM-N190SR TFT LCD Monitor. TCM series is developed and designed for use in operator display such as Industrial and Marine & Outdoor applications.

### KEY FEATURES

- LED Backlight Technology
- 3mm Anti-Glare Protective Glass
- Sunlight Readable / High Brightness Panel (1,500cd/m<sup>2</sup>)
- Input signal : 1 x VGA, 1 x DVI
- Resolution : 1280 x 1024
- Dimming Control (Touch OSD)
- Picture in Picture (PIP)
- Power range : 100~230VAC 50/60Hz

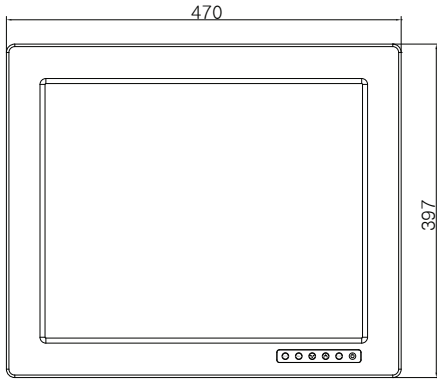


### GENERAL FEATURE

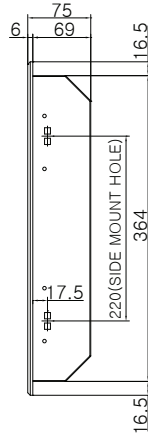
Section	Specifications
TFT Technology	Active Matrix Liquid Crystal Display Amorphous TFT (Thin Film Transistor) Anti-Glare & Anti-Reflective LED Backlight Technology
Viewable Size	19 inch diagonal
Active Area	376.320mm (H) x 301.060mm (V)
Resolution	1280 x 1024
Pixel Pitch	0.294 (H) x 0.294 (V)
Aspect Ratio	5:4
Response Time	5ms
Brightness	1,500cd/m <sup>2</sup>
Contrast Ratio	1000:1
Viewable Angle	170°RL / 160°UD
Max Colors	16.7Million True Color
Synchronization Range	31~80KHz (Horizontal) 55~76Hz (Vertical)
Optimal Resolution	1280 x 1024 @60Hz
Detectable Resolution	640 x 350, 640 x 400, 640 x 480, 720 x 400, 800 x 600, 1024 x 768, 1280 x 1024
Input Signal	1 x VGA, 1 x DVI
Signal Option	1 x S-VIDEO, 1 x CVBS (BNC type), 1 x USB (USB B-type)
Dimming	OSD Dimming Control (perfect dimming)
IP Rating	IP65 (Front)
Power Specification	100~230VAC 50/60Hz
Consumption	40W (MAX)
Product Dimension	470mm (W) x 75mm (D) x 397mm (H)
Weight	7.8Kg
Operation Conditions	Temperature : -15°C to +50°C Humidity : up to 95%
Storage Conditions	Temperature : -20°C to +60°C Humidity : up to 95%
Bracket Mount	Flush Mount, VESA Mount, Back Mount, Stand (Option)

# SUNLIGHT READABLE LCD MONITOR

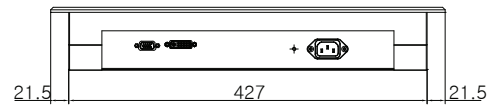
## TCM-N190SR



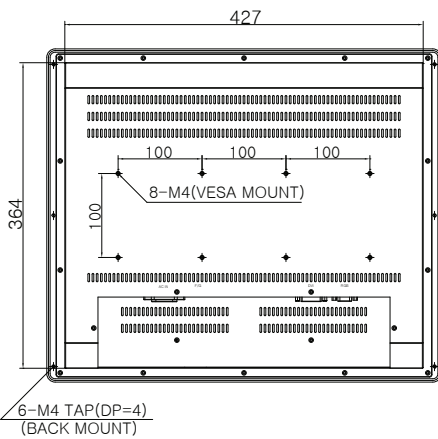
FRONT VIEW



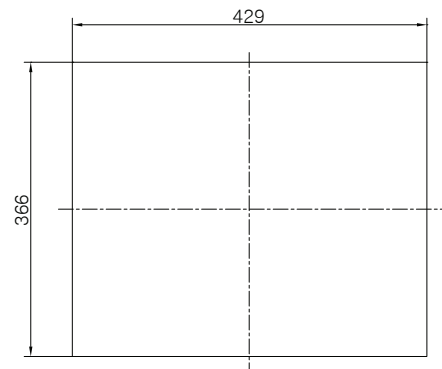
SIDE VIEW



BOTTOM VIEW



REAR VIEW



PANEL CUTTING

### Tetradyne Co., LTD.

#604/605, E&C VENTURE DREAM TOWER II, 55,  
 DIGITAL-RO 33-GIL, GURO-GU, SEOUL, 08376, REP KOREA  
 Tel : +82-2-323-4972  
 E-mail : [sales@tetradyne.co.kr](mailto:sales@tetradyne.co.kr)  
 Web site : [www.tetradyne.co.kr](http://www.tetradyne.co.kr)

Contact Point

Specifications and features are subject to change without notice.  
 All products names are trademarks or registered trademarks of Tetradyne.co.,Ltd.