

2-Way On-Off Electric Ball Valve for Gas Control

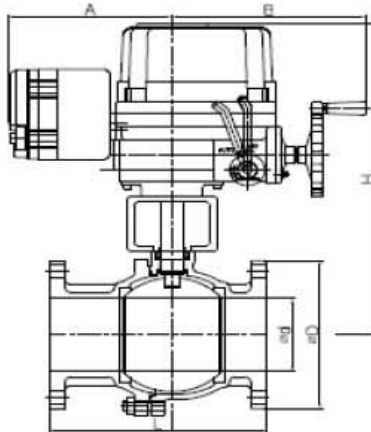
Excellent & Smooth operation, Explosion-proof, Manual Operation & Emergency Shut-Off.

Item	Electric Ball Valve for Gas
Model	SE300H, 500H, 1200H, 2000H, 3000H
Size	80A/100A/150A/200A/300A.
Ambient Temp.	-20 ~ 70 °C
Power	AC380V/50Hz, 3-Phase
Enclosure	Explosion-proof(Exd IIBT4, IP67)
Option	LCU-B (LOCAL/REMOTE, O/S/C)
	Power : AC440V 3-Ph, AC220V 1-Ph
	PCU : Proportional control (Input Signal : 4~20MA)
	CPT : Position transmitter (4~20MA)
Materials	SCPH2(WCB)/304SS/PTFE
	SCS13(CF8)/304SS/PTFE
Flange	DIN PN16 (Option: DIN PN25)

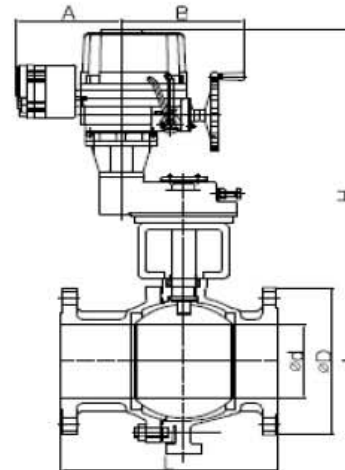


Fig. of 150A

* Dimension (mm)



80A, 100A, 150A



200A, 300A

SIZE	L	Ød	ØD	H	A	B	MODEL	REMARK
80A	310	80	200	445	242	286	SE300H-LCU	
100A	350	100	220	485	242	286	SE500H-LCU	
150A	394	152	285	546	263	307	SE1200H-LCU	DIRECT MOUNT
200A	457	203	340	903	263	307	SE2000H-LCU	
300A	610	305	460	1068	263	307	SE3000H-LCU	