

MICRO PURGEMETER

T□P20-Series

GENERAL

접액부 및 외관은 SUS316을 사용했으며, 중.대유량 측정에 적합하다. 특히 부식성 Gas 및 Chemical 유체에 적합하다.
 接液部及び外觀はSUS316을使用して中、大流量の測定に適合する。特に腐食性GAS及び科学体適合する。
 T□P20-Series has been made of SUS316 on contact area of fluid and outside, and it's suited to measure a middle and maximum range fluid. Especially, it's suitable for causticity gas and chemical fluids.



FEATURES

1. Needle Valve 부착이 가능하다. Needle Valve의附着が可能である.
Possible to adhere Needle valve.
2. 유량 감시용 Alarm Sensor 부착이 가능하다. 流量監視用のAlarm Sensor의附着が可能である.
Possible to adhere Alarm Sensor checking fluid rate.
3. 전후면 Panel Mounting이 가능하다. 前後面のPanel Mountingが可能である.
Possible to adhere Panel Mounting on the front & back side.
4. 고객요구 Flow range 변경이 가능하다. お客様によってFlow rangeの変更が可能である.
Possible to change flow range by customer needs.

SPECIFICATION

MEASURING OBJECT	LIQUIDS AND GASES		
Measuring range	Air	Min. 10~100 Nm ³ /min Max. 60~600 ℓ/min	● Air at 0℃, 1atm ● When selecting flow range, refer to standard flow rate table.
	Water	Min. 0.5~5 ml/min Max. 2~20 ℓ/min	
Range ability	10:1		
Accuracy	±2% of F.S		
Max. Op. Press	8kgf/cm ² (0.8MPa)		
Max. Op. Temp	Max 120℃		
Material	Body	SUS316	SUS304, Aluminum
	Glass	Pyrex glass	
	Float	Ruby balls	Ceramic balls
	Guidee		
	Packing	Viton(Max. 120℃)	EPDM(Max. 80℃)
	Support	Acryl	
Flow direction	Bottom to Top		
Connection type	Rc(PT) FEMALE	3/8", 1/2", 3/4"	
Local indicating			

OTHER AVAILABLE OPTIONS

You can specify the following options:
 Two point alarm, variable type on the front of alarmcontact, reed switch lead wire length, double graduations, special graduations.

BASIC MODEL CODE

EXAMPLE	MODEL	CONNECTION SIZE	CONNECTION TYPE	MATERIAL	GASKET	NEEDLE VALVE	ALARM & OUTPUT	FLOW RANGE
DESCRIPTION								
MODEL CODE	T□P20	-	□	□	□	-	□	□
WATER	W							
CHEMICALS	C							
GAS	G							
		3/8"	10					
		1/2"	15					
		3/4"	20					
STANDARD	Rc(PT) Female	R						
	NPT Female	N						
	VCR Female	V						
	Uni-Lok Type	L						
		AL	AL					
		SUS304	S4					
		SUS 316	S6					
STANDARD	VITON	V						
	EDPM	E						
	SPECIAL	S						
		None	N					
		Inlet	I					
		Outlet	O					
		None	N					
		Analog output	A					
		Optic sensor	O					
		Customer's needs(cc/min)	C					
		Customer's needs(ℓ/min)	L					
Note : 고객의 요구에 맞는 주문형 제품도 제작 가능합니다. We provide special goods to meet customers' needs.								

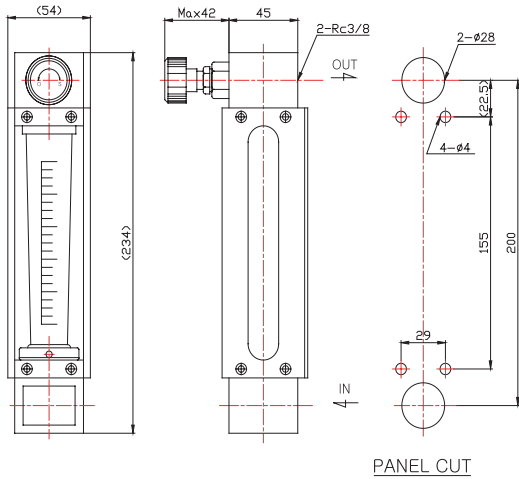


DIMENSIONS

MICRO PURGEMETER

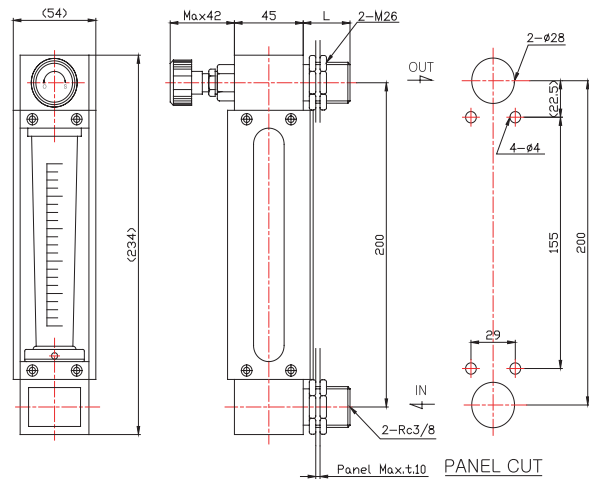
● STANDARD TYPE

(T□P20-Series Valve Provided at Outlet, Panel front locknut fixing)



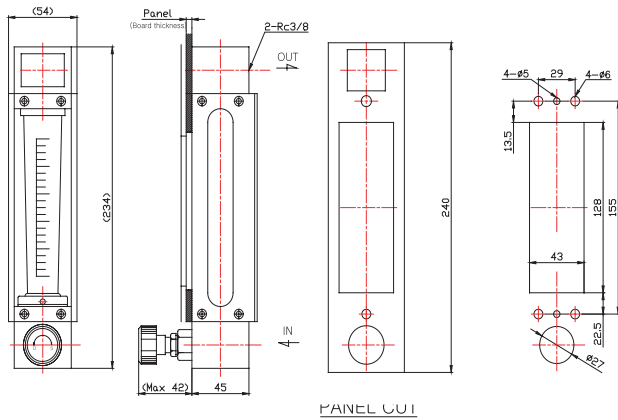
● PANEL-REAR INSTALLATION TYPE

(T□P20-Series Valve Provided at Outlet, Panel front locknut fixing)



● PANEL-REAR INSTALLATION TYPE

(T□P20-Series Valve Provided at Outlet, Bezel installation)



● STANDARD MATERIAL

Parts name	Standard material	Available material
Support	Aluminium	
Body	SUS304	SUS316, C3604
Tapered tube	Pyrex glass	
Float	SUS316/Glass	PTFE, Ruby
Packing	EPDM	Viton, CR, NBR
Joint	SUS304	SUS316, C3604
Valve	SUS304	SUS316
Cover	Poly-carbonate	

● IN CASE ALARM OUTPUT CODE IS A TO D ● PANEL CUT DIMENSION

A	Photo Micro Swith(LO)
B	Photo Micro Swith(LC)
C	Photo Micro Swith(HO)
D	Photo Micro Swith(HC)
1	Reed Swith Alarm(LO)
2	Reed Swith Alarm(LC)
3	Reed Swith Alarm(HO)
4	Reed Swith Alarm(HC)

Connection Size	Hole diameter(mm)
Rc1/4", NPT1/4"	Φ20
Rc3/8", NPT3/8"	Φ28
Rc1/2", NPT1/2"	Φ32