

HOW IT WORKS(작동원리)

Flow Controller는 용적식, 터빈, 패들휠 센서와 같이 외부 전원이 필요 없이 펄스를 발생 시키는 일반적인 유량계에 사용하기 위해 특별히 고안되었다.

특히 선형유량계와 비선형 유량계에 모두 적용이 가능하며 비선형10구간 각각에 주파수와 cc/pulse data (0.00001 ~ 999.999)를 광범위 하게 설정이 가능하며 초CC급 유량계에서 대용량 유량계까지 적용이 가능하다.

Flow Controller Series has been specifically designed to operate with common pulse producing flowmeters such as positive displacement, turbine and paddle-wheel sensors, without the need for external power.

Flow Controller Series can be applied to both linear flowmeters and non-linear flowmeters, It can also be applied to set CC/Pulse data (0.00001 ~ 999.999) and frequency each in non-linear 10 sections. And It can be possible to apply from Ultra CC grade flowmeters to high capacity flowmeters.

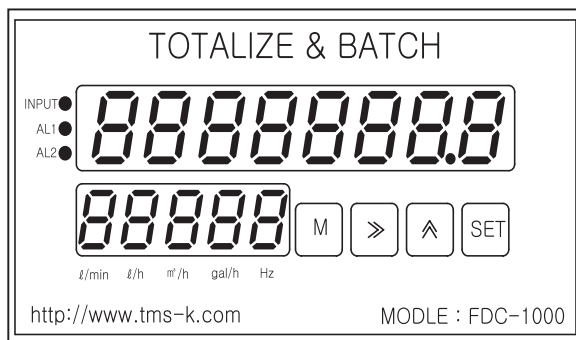
フローコントローラーは容積式・タービン式・パドルホイールセンサーと共に外部電源が必要なく、パルスを発生させる一般的な流量計に使用するため、特別に考案されたものである。

特にリニア流量計及びノンリニア流量計にも適用可能であり、ノンリニアの10区間におけるそれぞれに対して周波数とcc/Pulse data(0.00001~999.999)を広範囲に設定可能であり、超CC級の流量計から大容量の流量計まで適用可能である。

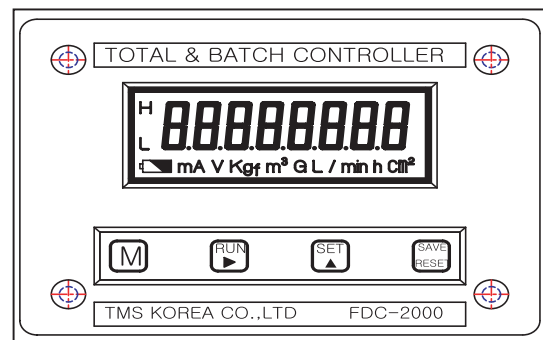
FEATURES(특징)

1. 유량단위를 선택 가능.
Flow unit selection function.
流量単位への選択が可能である。
2. 출력, 통신, 보상 가능.
Output communication compensation function.
出力、通信、報償が可能である。
3. 4 Alarm 설정이 가능.
4 Alarm set functions.
4 Alarmの設定が可能である。
4. Windows용 데이터 관리 소프트웨어 제공.
Window data offer soft administer.
Windows用のデータ管理ソフトウェアを提供する。
5. Lithium Battery 2개 적용.
Lithium Battery 2 applications
Lithium Battery를2개適用する。
6. LCD Type에는 EL Back Light 적용.
To LCD type EL Back Light applications
LCDタイプにはEL BACK LIGHT를適用する。

STRUCTURE(구조)



① FND Type



② LDC Type

CONTROLLER

Batch & Totaliz

FEATURES(특징)

1. 순시 적산 표기. 瞬時と積算が表記される.
Display instantaneous and totalized value.
2. 유량단위 선택 가능. 流量単位への選択が可能である.
Possible to choose fuild rate units.
3. 경보기능(2 or 4ALRAM). 警報機能(2 or 4ALRAM).
Alram function.
4. RS 232/485 통신. RS 232/485通信.
RS 232/485 COMMUNICATION.
5. Pulse Output, Open Collect Pulse 출력.
Pulse Output, Open Collect Pulse 出力.
Pulse output, Open Collect Pulse output.
6. 전류(4~20mA), 전압(1~5V) 출력. 電流(4~20mA), 電圧(1~5V) 出力.
Current (4~20mA), Voltage (1~5V) output.
7. Extended battery.
8. Batch기능. バッチの機能.
Batch function.



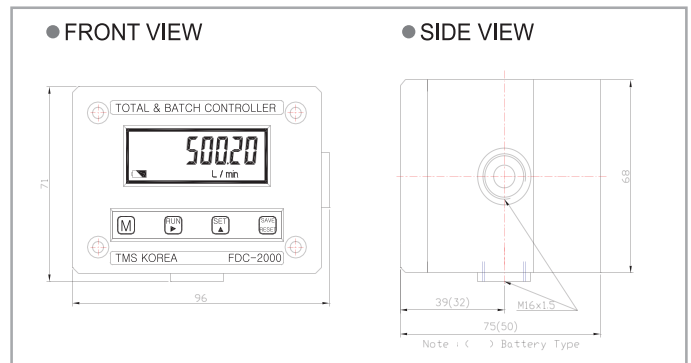
MODEL CODE

FDC-2000-S□-□□-□

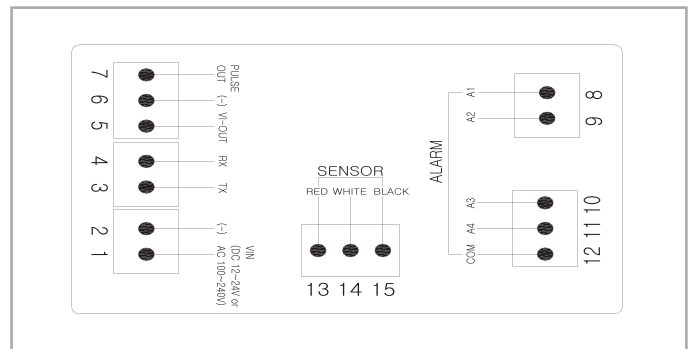
SPECIFICATION(재원)

ITEM	SPECIFICATIONS	
INPUT	PULSE	
DISPLAY	INSTANT	8DIGIT-LCD
	TOTALIZE	8DIGIT-LCD
ACCURACY	High value of $\pm 0.05\%FS$	
SENSOR POWER	DC 12V/9mA $\pm 0.5\%$ ↓	
REALY OUTPUT	Max, switching power	750 VA, 90W
	Max, switching voltage	250V AC, 110V DC
	Max, switching current	5A
FREQUENCY INPUT	Frequency Range	0Hz to 5KHz
COMMUNICATION	ISOLATION	Non isolated
	DATA	Total/ Temp total
PULSE OUTPUT	PULSE WIDTH	50ms
	OUTPUT	100Pulse/sec
POWER SUPPLY	AC 85~264V(50/60Hz), 15~24VDC, 3.6V Lithium Battery X 2	
WEIGHT	APPROX. 500g	
DOUSING MATERIAL	ABS Plastic, Aluminum, EX d II	
INSTALLATION	Integration type	

DIMENSION(치수)



TERMINAL CONNECTION(결선도)



MODEL CODE

FDC-2000 SERIES

EXAMPLE	MODEL NAME		SERIES		HOUSING TYPE	POWER SUPPLY		OUTPUT	ALARM		OPTIONS																										
DESCRIPTION																																					
MODEL CODE	FDC	—	□	—	□	□	—	□	□	—	□																										
<table border="1"> <tr> <td>Flow Digit Controller</td> <td></td> </tr> <tr> <td>8Digit LDC Display Type</td> <td>2000</td> </tr> <tr> <td>Square Type(Watertight-IP67)</td> <td>S</td> </tr> <tr> <td>Round Type (Explosion proof-EX d IIC)</td> <td>R</td> </tr> <tr> <td>AC85~264V (50/60Hz)</td> <td>A</td> </tr> <tr> <td>DC15~24V</td> <td>D</td> </tr> <tr> <td>4~20mA Analog Output</td> <td>A</td> </tr> <tr> <td>1~5V Output</td> <td>V</td> </tr> <tr> <td>PULSE Output(12V)</td> <td>P</td> </tr> <tr> <td>OPEN COLLECT PULSE Output</td> <td>O</td> </tr> <tr> <td>NONE</td> <td>N</td> </tr> <tr> <td>NONE</td> <td>N</td> </tr> <tr> <td>RS 485 Communication</td> <td>4</td> </tr> </table>												Flow Digit Controller		8Digit LDC Display Type	2000	Square Type(Watertight-IP67)	S	Round Type (Explosion proof-EX d IIC)	R	AC85~264V (50/60Hz)	A	DC15~24V	D	4~20mA Analog Output	A	1~5V Output	V	PULSE Output(12V)	P	OPEN COLLECT PULSE Output	O	NONE	N	NONE	N	RS 485 Communication	4
Flow Digit Controller																																					
8Digit LDC Display Type	2000																																				
Square Type(Watertight-IP67)	S																																				
Round Type (Explosion proof-EX d IIC)	R																																				
AC85~264V (50/60Hz)	A																																				
DC15~24V	D																																				
4~20mA Analog Output	A																																				
1~5V Output	V																																				
PULSE Output(12V)	P																																				
OPEN COLLECT PULSE Output	O																																				
NONE	N																																				
NONE	N																																				
RS 485 Communication	4																																				
Note : 고객의 요구에 맞는 주문형 제품도 제작 가능합니다.																																					
We provide special goods to meet the needs of any client.																																					