

Pneumatic 2 - Way Valves

Water-saving

How to Order

A□ - □ **TF** - □□ - **2**

Actuation Mode	Valve Size	End Connection	Tube Standard
2 ... Normally closed	008 ... 1/4"	F ... Flowell 20series	A ... metric
9 ... Normally open	010 ... 3/8"	R ... Flowell 60series	B ... inch
	015 ... 1/2"	P ... Pillar Super fittings	
	020 ... 3/4"	S ... Pillar Super 300	
	025 ... 1"	K ... Kurabo Finallock	
		T ... Tube type	

特注品も製作いたします。特別仕様の場合はお問い合わせして下さい。
Special orders are acceptable. Consult us about specific applications.

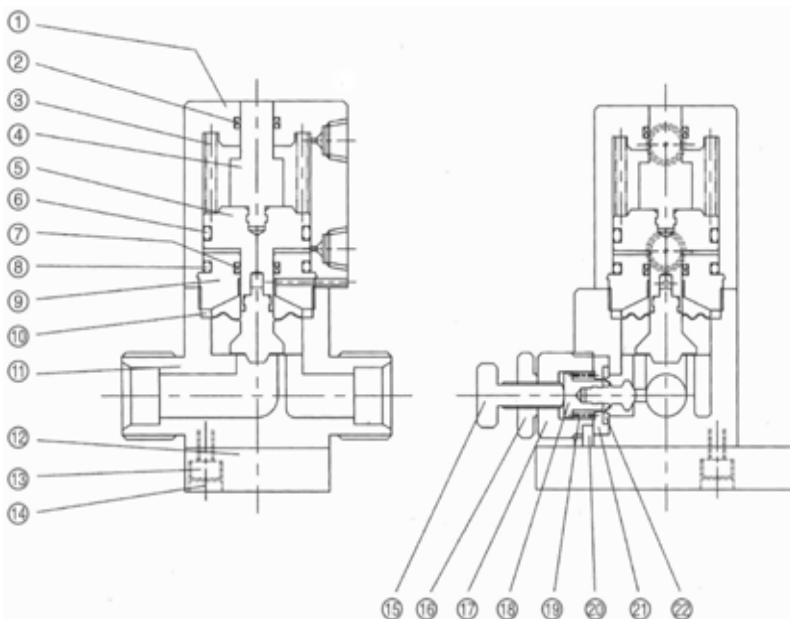
Specifications

Fluid	Chemicals and DI Water
Fluid temperature range	10~100
Fluid pressure range	Inlet Outlet : 0~0.3Mpa
	Back pressure : 0~0.1MPa
Operating system	Spring return actuation and Double action type
Pneumatic supply pressure	0.3~0.6MPa
Atmospheric temperature	0~40
Materials of wetted parts	Diaphragm : PTFE
	Body : PTFE
Additional function	Water - saving

全ての仕様は参考値です。

All specifications are for reference only.

Structural drawing



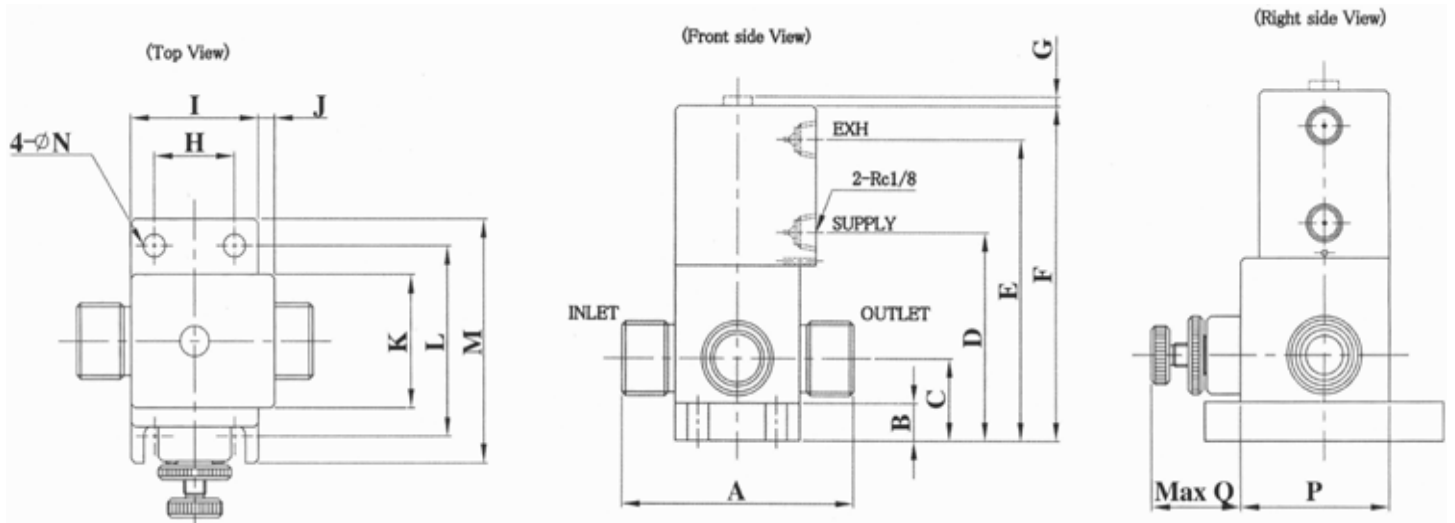
304SS=SUS304

Materials of Construction

No.	Parts	Materials	Notes
	Case	PP	
	MY packing	FKM	
	Spring	304SS	Fluoropolymer coated
	Indicator	PTFE	
	Piston	PP	
	O-ring	FKM	
	MY packing	FKM	
	O-ring	FKM	
	Stuffing	PP	
	Diaphragm	PTFE	
	Body	PTFE	
	Base	PP	
	Bolt	304SS	
	Cap	PTFE	
	Handle	PP	
16	Lock nut	PP	
17	Holder	PP	
18	Piston	PP	
19	Spring	304SS	Fluoropolymer coated
20	Pin	PEEK	
21	Diaphragm weight	PVDF	
22	Diaphragm	PTFE	

Pneumatic 2 - Way Valves

Water-saving



Dimensions [Units : mm]

Size	Fittings	Orifice	A	B	C	D	E	F	G	H	I	J	K	L	M	N	P	Q
1/4"	Flowell 20series	5	55	10	22	51	76	85	1.3	22	35	4.5	35	50	64	6	40	25
	Flowell 60series	5	84	10	22	51	76	85	1.3	22	35	4.5	35	50	64	6	40	25
	Pillar Super fittings	5	59	10	22	51	76	85	1.3	22	35	4.5	35	50	64	6	40	25
	Pillar Super 300	5	57	10	22	51	76	85	1.3	22	35	4.5	35	50	64	6	40	25
	Kurabo Finallock	5	63	10	22	51	76	85	1.3	22	35	4.5	35	50	64	6	40	25
	Tubu type	5	69	10	22	51	76	85	1.3	22	35	4.5	35	50	64	6	40	25
3/8"	Flowell 20series	10	59	10	22	56	81	90	2.5	22	35	4.5	35	50	64	6	40	25
	Flowell 60series	10	94	10	22	56	81	90	2.5	22	35	4.5	35	50	64	6	40	25
	Pillar Super fittings	10	69	10	22	56	81	90	2.5	22	35	4.5	35	50	64	6	40	25
	Pillar Super 300	10	65	10	22	56	81	90	2.5	22	35	4.5	35	50	64	6	40	25
	Kurabo Finallock	10	75	10	22	56	81	90	2.5	22	35	4.5	35	50	64	6	40	25
	Tubu type	10	77	10	22	56	81	90	2.5	22	35	4.5	35	50	64	6	40	25
1/2"	Flowell 20series	10	65	10	22	56	81	90	2.5	22	35	4.5	35	50	64	6	40	25
	Flowell 60series	10	94	10	22	56	81	90	2.5	22	35	4.5	35	50	64	6	40	25
	Pillar Super fittings	10	75	10	22	56	81	90	2.5	22	35	4.5	35	50	64	6	40	25
	Pillar Super 300	10	70	10	22	56	81	90	2.5	22	35	4.5	35	50	64	6	40	25
	Kurabo Finallock	10	75	10	22	56	81	90	2.5	22	35	4.5	35	50	64	6	40	25
	Tubu type	10	81	10	22	56	81	90	2.5	22	35	4.5	35	50	64	6	40	25
3/4"	Flowell 20series	16	83	12	28	73	103	120	4	30	45	5	45	60	74	6	50	25
	Flowell 60series	16	111	12	28	73	103	120	4	30	45	5	45	60	74	6	50	25
	Pillar Super fittings	16	97	12	28	73	103	120	4	30	45	5	45	60	74	6	50	25
	Pillar Super 300	16	89	12	28	73	103	120	4	30	45	5	45	60	74	6	50	25
	Kurabo Finallock	16	93	12	28	73	103	120	4	30	45	5	45	60	74	6	50	25
	Tubu type	16	105	12	28	73	103	120	4	30	45	5	45	60	74	6	50	25
1"	Flowell 20series	22	104	15	39	97	130	151	5.5	45	60	4	60	80	96	7	60	25
	Flowell 60series	22	138	15	39	97	130	151	5.5	45	60	4	60	80	96	7	60	25
	Pillar Super fittings	22	120	15	39	97	130	151	5.5	45	60	4	60	80	96	7	60	25
	Pillar Super 300	22	114	15	39	97	130	151	5.5	45	60	4	60	80	96	7	60	25
	Kurabo Finallock	22	120	15	39	97	130	151	5.5	45	60	4	60	80	96	7	60	25
	Tubu type	22	140	15	34	92	125	146	5.5	45	60	4	60	80	96	7	60	25

全ての寸法は参考値です。

. All dimensions are for reference only.