

Manual 2 - Way Valves

How to Order

M2 - □ **TF** - □ □

Valve Size	End Connection	Tube Standard
008 ... 1/4'	F ... Flowell 20series	A ... metric
010 ... 3/8'	R ... Flowell 60series	B ... inch
015 ... 1/2'	P ... Pillar Super fittings	
020 ... 3/4'	S ... Pillar Super 300	
025 ... 1"	K ... Kurabo Finallock	
	T ... Tube type	

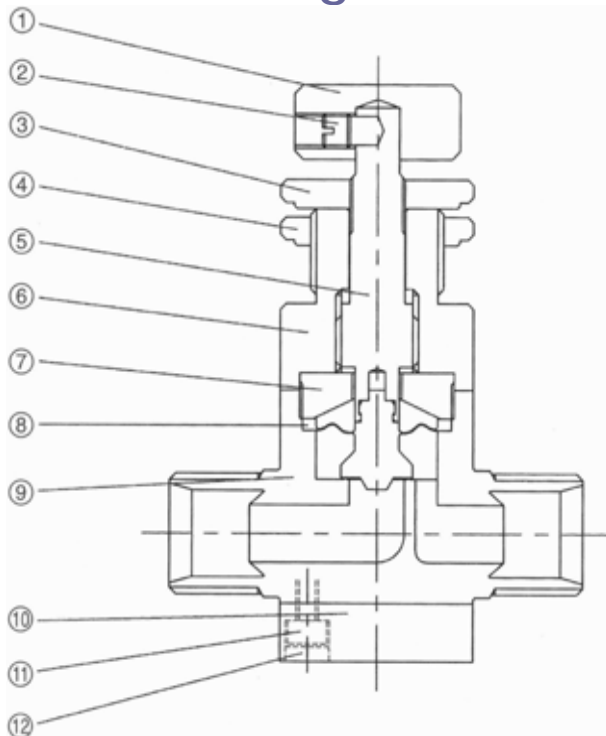
特注品も製作いたします。特別仕様の場合はお問い合わせ下さい。
Special orders are acceptable. Consult us about specific applications.

Specifications

Fluid	Chemicals and DI Water
Fluid temperature range	10~100
Fluid pressure range	Inlet Outlet : 0~0.3Mpa
	Back pressure : 0~0.1MPa
Operating system	Manual type
Atmospheric temperature	0~40
Materials of wetted parts	Diaphragm : PTFE
	Body : PTFE

全ての仕様は参考値です。
All specifications are for reference only.

Structural drawing

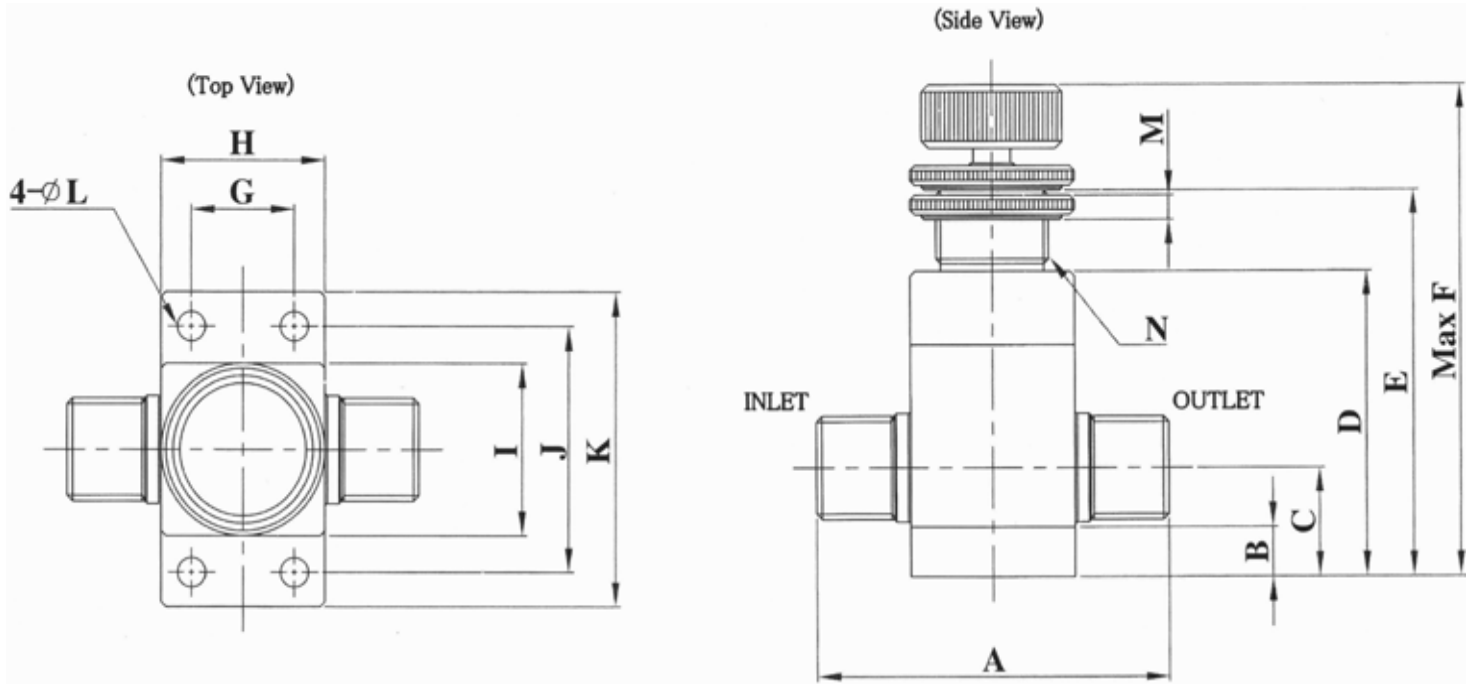


Materials of Construction

No.	Parts	Materials	Notes
	Handle	PP	
	Screw	PCTFE	
	Lock nut	PP	
	Panel nut	PP	
	Shaft	PP	
	Case	PP	
	Stuffing	PP	
	Diaphragm	PTFE	
	Body	PTFE	
	Base	PP	
	Bolt	304SS	
	Cap	PTFE	

304SS=SUS304

Manual 2 - Way Valves



Dimensions [Units : mm]

Size	Fittings	Orifice	A	B	C	D	E	F	G	H	I	J	K	L	M	N
1/4"	Flowell 20series	5	55	10	16	45	62	86	22	35	35	50	64	6	5	M24
	Flowell 60series	5	84	10	16	45	62	86	22	35	35	50	64	6	5	M24
	Pillar Super fittings	5	59	10	18	47	64	88	22	35	35	50	64	6	5	M24
	Pillar Super 300	5	57	10	18	47	64	88	22	35	35	50	64	6	5	M24
	Kurabo Finallock	5	63	10	18	47	64	88	22	35	35	50	64	6	5	M24
	Tubu type	5	69	10	16	45	62	86	22	35	35	50	64	6	5	M24
3/8"	Flowell 20series	10	59	10	20	60	77	101	22	35	35	50	64	6	5	M24
	Flowell 60series	10	94	10	20	60	77	101	22	35	35	50	64	6	5	M24
	Pillar Super fittings	10	69	10	20	60	77	101	22	35	35	50	64	6	5	M24
	Pillar Super 300	10	65	10	20	60	77	101	22	35	35	50	64	6	5	M24
	Kurabo Finallock	10	75	10	22	62	79	103	22	35	35	50	64	6	5	M24
	Tubu type	10	77	10	20	60	77	101	22	35	35	50	64	6	5	M24
1/2"	Flowell 20series	10	65	10	20	60	77	101	22	35	35	50	64	6	5	M24
	Flowell 60series	10	94	10	20	60	77	101	22	35	35	50	64	6	5	M24
	Pillar Super fittings	10	75	10	22	62	79	103	22	35	35	50	64	6	5	M24
	Pillar Super 300	10	70	10	22	62	79	103	22	35	35	50	64	6	5	M24
	Kurabo Finallock	10	75	10	22	62	79	103	22	35	35	50	64	6	5	M24
	Tubu type	10	81	10	20	60	77	101	22	35	35	50	64	6	5	M24
3/4"	Flowell 20series	16	83	12	28	79	96	125	30	45	45	60	74	7	6	M30
	Flowell 60series	16	111	12	28	79	96	125	30	45	45	60	74	7	6	M30
	Pillar Super fittings	16	97	12	28	79	96	125	30	45	45	60	74	7	6	M30
	Pillar Super 300	16	89	12	28	79	96	125	30	45	45	60	74	7	6	M30
	Kurabo Finallock	16	93	12	28	79	96	125	30	45	45	60	74	7	6	M30
	Tubu type	16	105	12	28	79	96	125	30	45	45	60	74	7	6	M30
1"	Flowell 20series	22	104	15	39	100	120	155	45	60	60	80	96	7	7	M40
	Flowell 60series	22	138	15	39	100	120	155	45	60	60	80	96	7	7	M40
	Pillar Super fittings	22	120	15	39	100	120	155	45	60	60	80	96	7	7	M40
	Pillar Super 300	22	114	15	39	100	120	155	45	60	60	80	96	7	7	M40
	Kurabo Finallock	22	120	15	39	100	120	155	45	60	60	80	96	7	7	M40
	Tubu type	22	140	15	34	95	115	150	45	60	60	80	96	7	7	M40

全ての寸法は参考値です。

. All dimensions are for reference only.