

Quick Drain Valves

25A . 40A . 50A

How to Order

D2-	0 50	PV	- F	- UA	-2
	Valve Size	Body Material	Inlet Connection	Outlet Connection	O-ring Material
	025 ... 25A	PV ... PVC	F ... Flange	Blank ... Without connection	1 ... FKM
	040 ... 40A	CV ... CPVC	S ... Sealed wedge	F ... Flange	2 ... EPDM
	050 ... 50A	TF ... PTFE	UA ... Union (PVC) UB ... Union (CPVC) M70 ... M70 Screw	S ... Sealed wedge UA ... Union (PVC) UB ... Union (CPVC)	

特注品も製作いたします。特別仕様の場合はお問い合わせ下さい。

Special orders are acceptable. Consult us about specific applications.

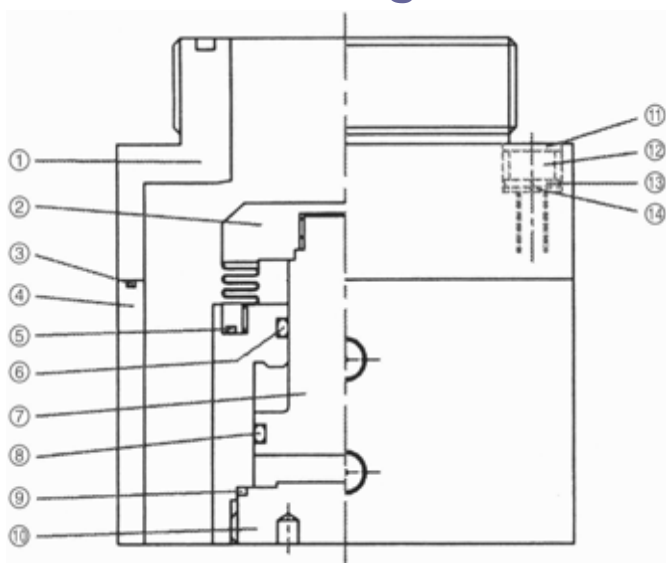
Specifications

Fluid	Chemicals and DI Water
Fluid temperature range	10~40 (PVC) . 10~80 (PTFE, CPVC)
Fluid pressure range	Inlet Outlet : 0~0.01Mpa
	Back pressure : 0~0.01MPa
Operating system	Double action type
Pneumatic supply pressure	0.3~0.6MPa
Atmospheric temperature	0~40
Materials of wetted parts (When closing)	Bellows : PTFE
	Body : PTFE, CPVC or PVC
	O-ring : FKM or EPDM

全ての仕様は参考値です。

All specifications are for reference only.

Structural drawing



Materials of Construction

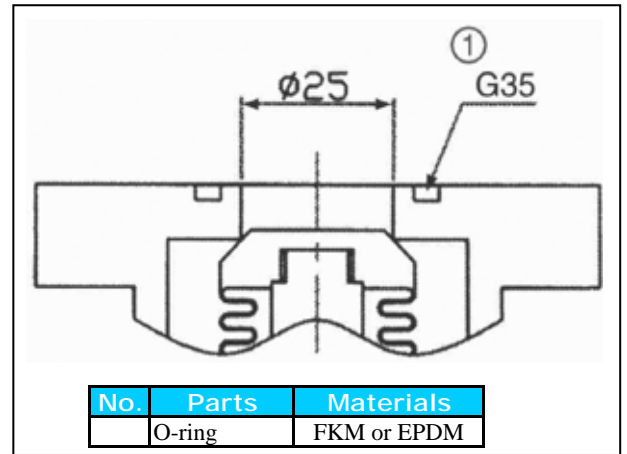
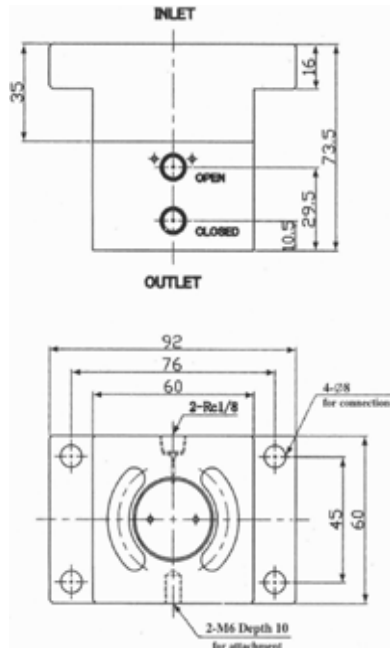
No	Parts	Materials		
		MODEL TF	MODEL CV	MODEL PV
	Body	PTFE	CPVC	PVC
	Bellows	PTFE	PTFE	PTFE
	O-ring	FKM or EPDM	FKM or EPDM	FKM or EPDM
	Case	CPVC	CPVC	PVC
	O-ring	FKM or EPDM	FKM or EPDM	FKM or EPDM
	O-ring	FKM or EPDM	FKM or EPDM	FKM or EPDM
	Piston	CPVC	CPVC	PVC
	O-ring	FKM or EPDM	FKM or EPDM	FKM or EPDM
	O-ring	FKM or EPDM	FKM or EPDM	FKM or EPDM
	Cap	CPVC	CPVC	CPVC
	End cap	PTFE	PTFE	PTFE
	Bolt	304SS	304SS	304SS
	Spring lock washer	304SS	304SS	304SS
	Plain washer	304SS	304SS	304SS

304SS=SUS304

Quick Drain Valves

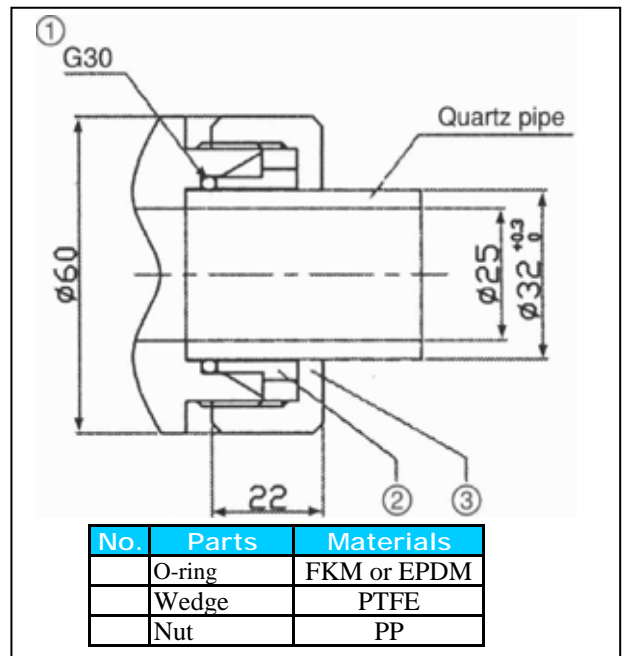
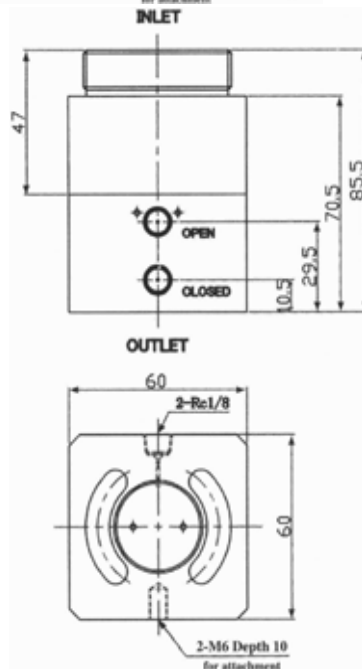
25A . 40A . 50A

(25A Flange type)



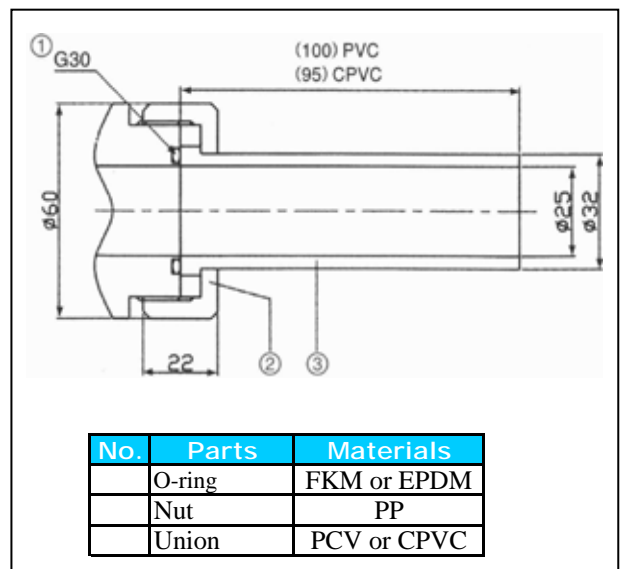
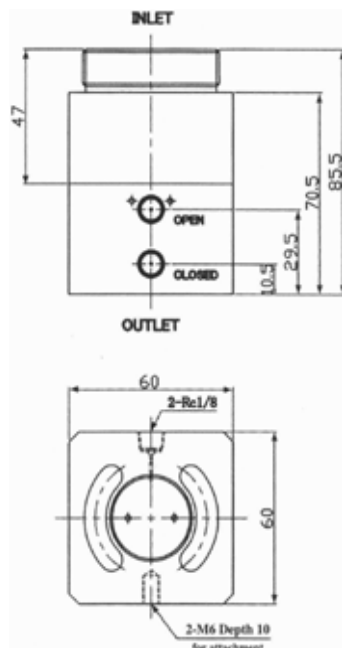
No.	Parts	Materials
	O-ring	FKM or EPDM

(25A Sealed wedge type)



No.	Parts	Materials
	O-ring	FKM or EPDM
	Wedge	PTFE
	Nut	PP

(25A Union type)



No.	Parts	Materials
	O-ring	FKM or EPDM
	Nut	PP
	Union	PCV or CPVC

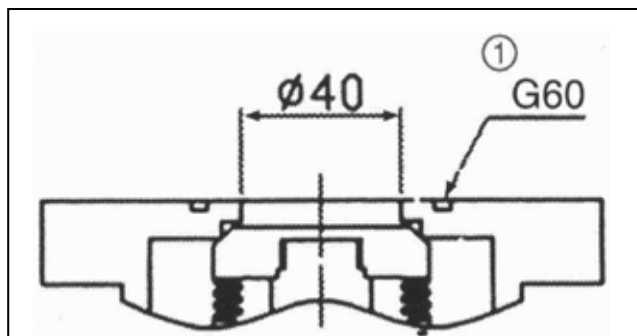
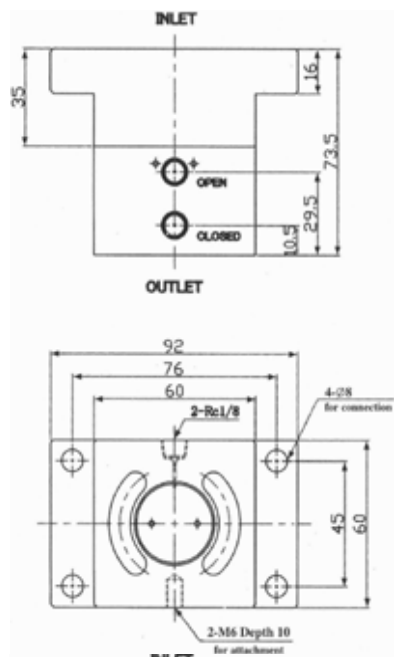
全ての寸法は参考値です。
全ての寸法単位はミリメートルです。

. All dimensions are for reference only.
mm . All dimensions are in millimeters.

Quick Drain Valves

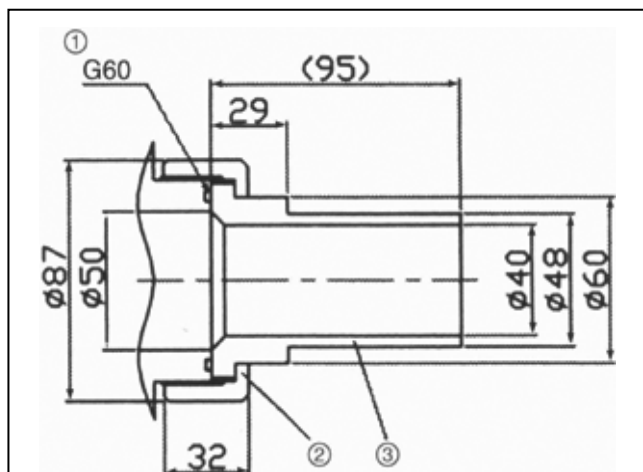
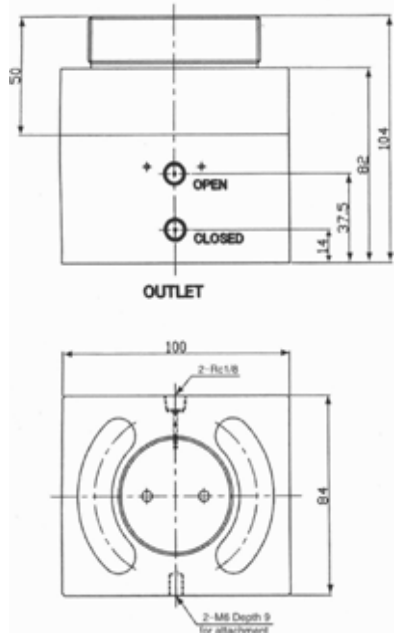
25A . 40A . 50A

(40A Flange type)



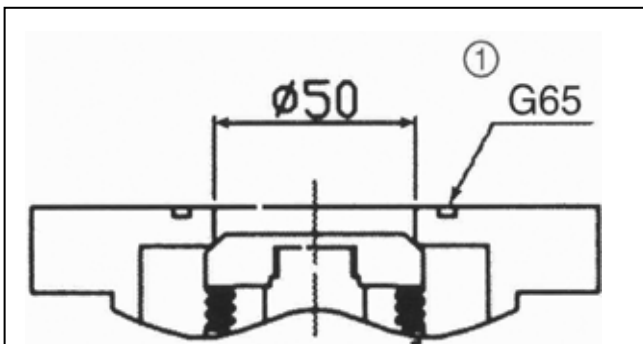
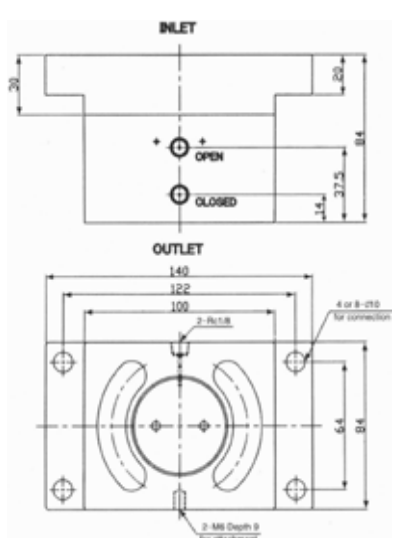
No.	Parts	Materials
	O-ring	FKM or EPDM

(40A Union type)



No.	Parts	Materials
	O-ring	FKM or EPDM
	Nut	PP
	Union	PCV or CPVC

(50A Flange type)



No.	Parts	Materials
	O-ring	FKM or EPDM

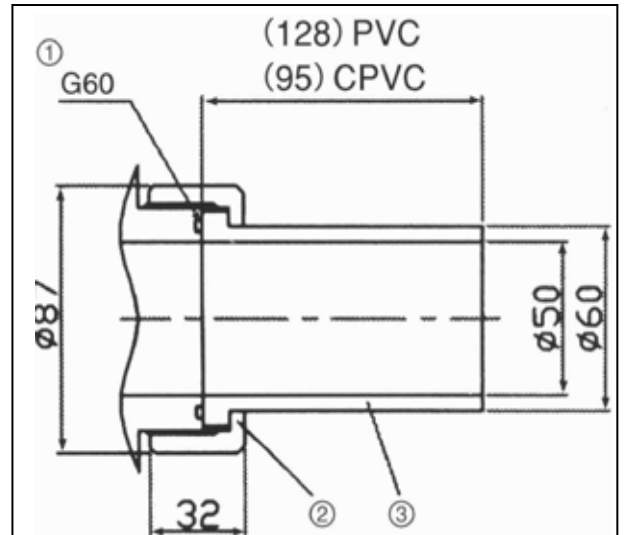
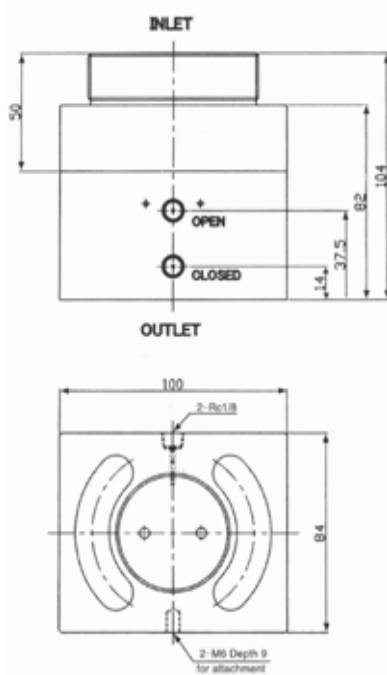
全ての寸法は参考値です。
全ての寸法単位はミリメートルです。

. All dimensions are for reference only.
mm . All dimensions are in millimeters.

Quick Drain Valves

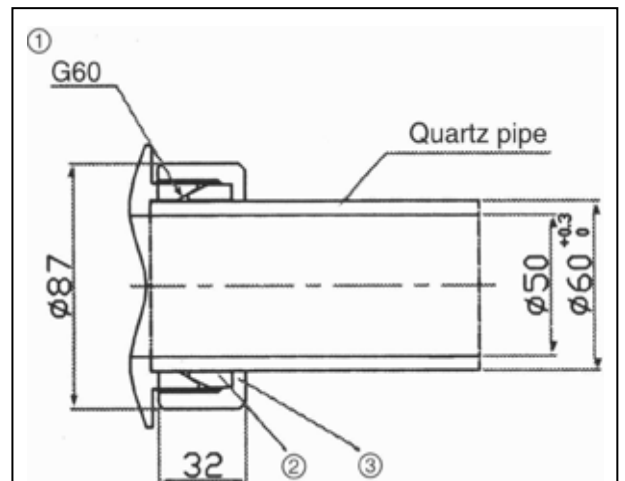
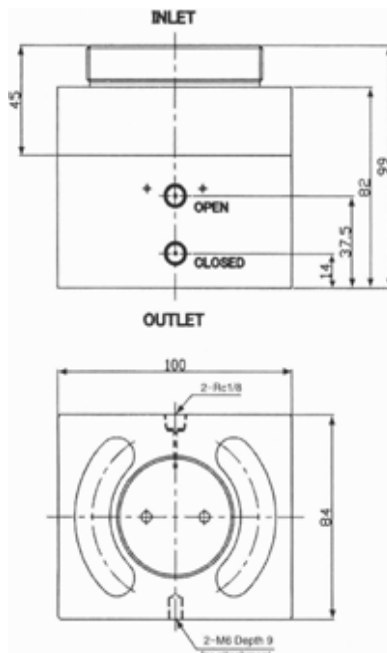
25A . 40A . 50A

(50A Union type)



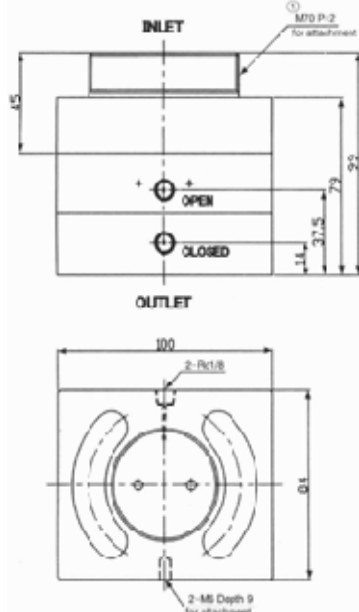
No.	Parts	Materials
	O-ring	FKM or EPDM
	Nut	PP
	Union	PCV or CPVC

(50A Sealed wedge type)



No.	Parts	Materials
	O-ring	FKM or EPDM
	Wedge	PTFE
	Nut	PP

(50A M70 Screw type)



No.	Parts	Materials
	O-ring	FKM or EPDM

全ての寸法は参考値です。
全ての寸法単位はミリメートルです。

. All dimensions are for reference only.
mm . All dimensions are in millimeters.