

FLAME ARRESTER Section 2.5

EXPLOSION PROOF END OF LINE FLAME ARRESTER

KSFE , KSFF TYPE FLAME ARRESTER



Benefits

- Meet USCG, IMO MSC/Circ,677 & EN12874 requirements
- Designed for Explosion proof
- Maximum Capacity & Minimum Pressure drop
- Quick & Easy removable element
- Very easy cleaning & maintenance
- Vertical installation
- High quality corrosion & chemical resistance

■ Introduction ■

The KSFE flame arresters are designed, manufactured and tested according to API 2000 and BS 7244 (British Standard Specification) code and EN 12874.

The units allow free venting in combination with flame protection for vertical vent application.

They prevent flame propagation by absorbing and dissipating heat using spiral wound crimped ribbon 316LSS flame cells.

The KSFE unit gives the protection needed. For size 4" and under after ignition of the out flowing gases a fusible element melts, the spring loaded cover automatically opens and the full surface of the flame arrester is exposed so that the flame arrester element will not attain the ignition temperature through heat absorption.

Housing construction are Aluminum, Cast Iron, Cast Steel, 304SS and 316LSS.

Size are from 20mm through to 300mm.

Cast iron and cast steel units are epoxy coated both inside and outside.

■ Introduction ■

The Flame Arrester of Model KSFF is designed, manufactured, tested according to API 2000, BS 7244 and EN 12874.

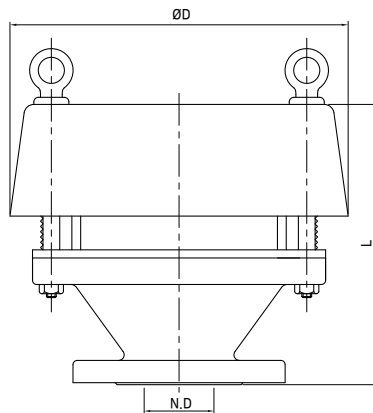
Installed in the end of nozzle of the several kinds of the flammable low pressure storage tank (the ignition point below 65 deg C) with easy coupling, it is the explosion proof and deflagration proof which blocks the influx of flame ignited externally into the tank.

ISO 9001 Registered

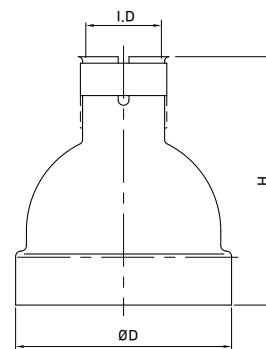
FLAME ARRESTER Section 2.5

EXPLOSION PROOF END OF LINE FLAME ARRESTER

KSFE , KSFF TYPE FLAME ARRESTER



Model : **KSFE**



Model : **KSFF**

Dimension Table (KSFE)								Unit = mm
Size	2"	3"	4"	6"	8"	10"	12"	Other Size
N.D	50	80	100	150	200	250	300	Available on request
Ø D	230	283	283	410	500	650	750	
L	210	235	240	290	340	360	400	

Dimension Table (KSFF)						Unit = mm
Size	2"	1 1/2"	2"	4"	Other Size	
I.D	61	77	90	115	Available on request	
Ø D	100	169	169	207		
H	115	170	170	210		

Materials of Construction				
	Standard Design		Special Design	
Body	C.I (But S.S for KSFF)		S.S	S.S & AL
Element Ring	C.S or S.S		C.S or S.S	S.S
Element	Aluminium or Stainless Steel			
Standard Coating	In-Out side Epoxy 250 Micron except for S.S & AL Part.			

Note : C.I - Cast Iron, S.S - Stainless Steel, C.S - Carbon Steel, AL - Aluminium