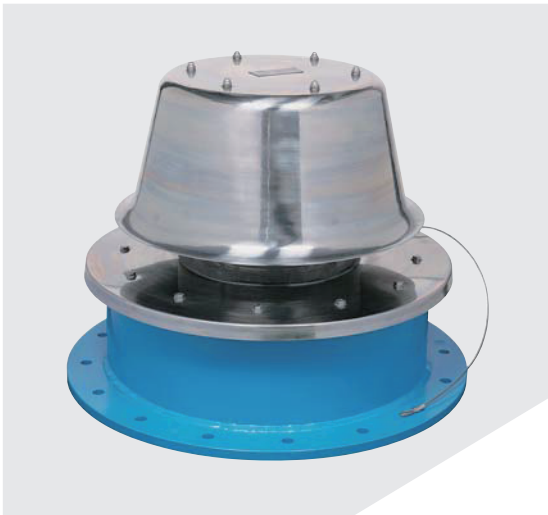


EMERGENCY VENT COVER Section 3.2

EMERGENCY PRESSURE VACUUM RELIEF VENT COVER

KSEV TYPE EMERGENCY VENT COVER



According to API 2000 Code

The series KSEV is designed to provide emergency pressure vacuum relief for storage tanks when exposed to overpressures and overvacuum that are not handled by standard tank vents.

These vents provide the capacity to meet API standard 2000 for emergency venting due to fire exposure when properly sized.

These covers also provide quick easy access for tank inspection and maintenance.

■ Vent Operation ■

The KSEV emergency pressure relief vent provides pressure vacuum relief .
When excessive pressure builds within the storage tank the KSEV series emergency pressure relief vent begin to open at a predetermined set pressure relieving excessive pressure.
When the overpressure has dissipated the cover reseal onto the base.

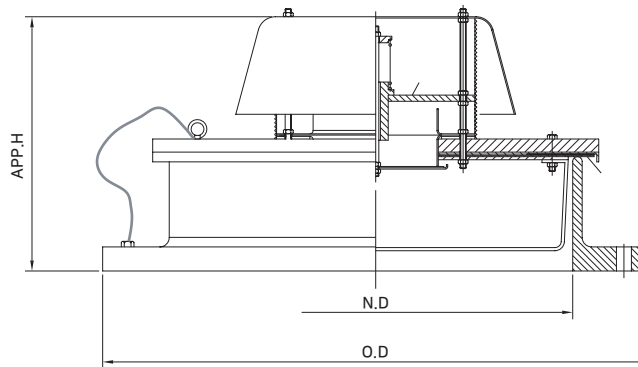
■ Construction ■

The series KSEV is available in several materials that are corrosion resistant to most petroleum product applications.
See Standard material of construction table for available material.
Predetermined pressure / vacuum setting range is from a minimum of 25/-25mmW.C to a maximum of 700/-700mmW.C
Sizes are 400, 450, 500 and 600mm with flange drilling according to ANSI 150lb or API650

EMERGENCY VENT COVER Section 3.2

EMERGENCY PRESSURE VACUUM RELIEF VENT COVER

KSEV TYPE EMERGENCY VENT COVER



Dimension Table		Unit = mm			
		16"	18"	20"	24"
N.D		400	450	500	600
O.D	API 650	597	635	660	762
	ANSI 150#	597	635	698	813
APP. H	MIN.	110	123	132	158
	MAX.	150	168	195	226

Materials of Construction		BODY	ALUMINUM	C.S	304 S.S	316 S.S
ITEM NO.	COMPONENT	TRIM	304 S.S	304 S.S	304 S.S	316 S.S
1	BODY		ALUMINUM	C.S	304 S.S	316 S.S
2	COVER			EGI		304 S.S
3	GUIDE		304 S.S	304 S.S	304 S.S	316 S.S
4	DIAPHRAGM			TEFLON		
5	EARTH WIRE		304 S.S	304 S.S	304 S.S	304 S.S
6	BOLT/NUT		304 S.S	304 S.S	304 S.S	304 S.S
7	LOADING W'T			STEEL		