



nuflo[®] Control Valve

Actuator Built-in



INNOBIZ
Innovation Association

Venture for
Tomorrow



UNIFLO[®]

Company History

1992 Established SEWOO.

1997 nuflo 2-in-1 control valve.
International patents for nuflo valve designs.

1998 nuflo butterfly control valve.

1999 NT(New Technology) Award.
Authorized a venture company.

2000 nuflo ball control valve.
International patents for nuflo control valve.
Awarded "Excellent Technical Manufacturer" from LG Chemical and POSCO.

2001 ISO9001 Certificated.

2003 Transition Sewoo I&S.

2005 Patent Certificate, Trademark

- Patent : No. 0280018 (How the opening of pneumatic valves and pneumatic valves)
- Patent : No. 0283593 (for the conveyance of Opening and closing valve device)
- Patent : No. 0515005 (the opening and closing device of the valve for Fluid transfer)
- Trademark : No. 0459034 (nuflo : Not transport bushings for machinery. other, 6cases)

2008 Sewoo I&S is converted into a corporation.
Renewed ISO9001 Certification.
INNO-BIZ Certificated.
Venture company Certificated.

2010 Moved to the Current Location.

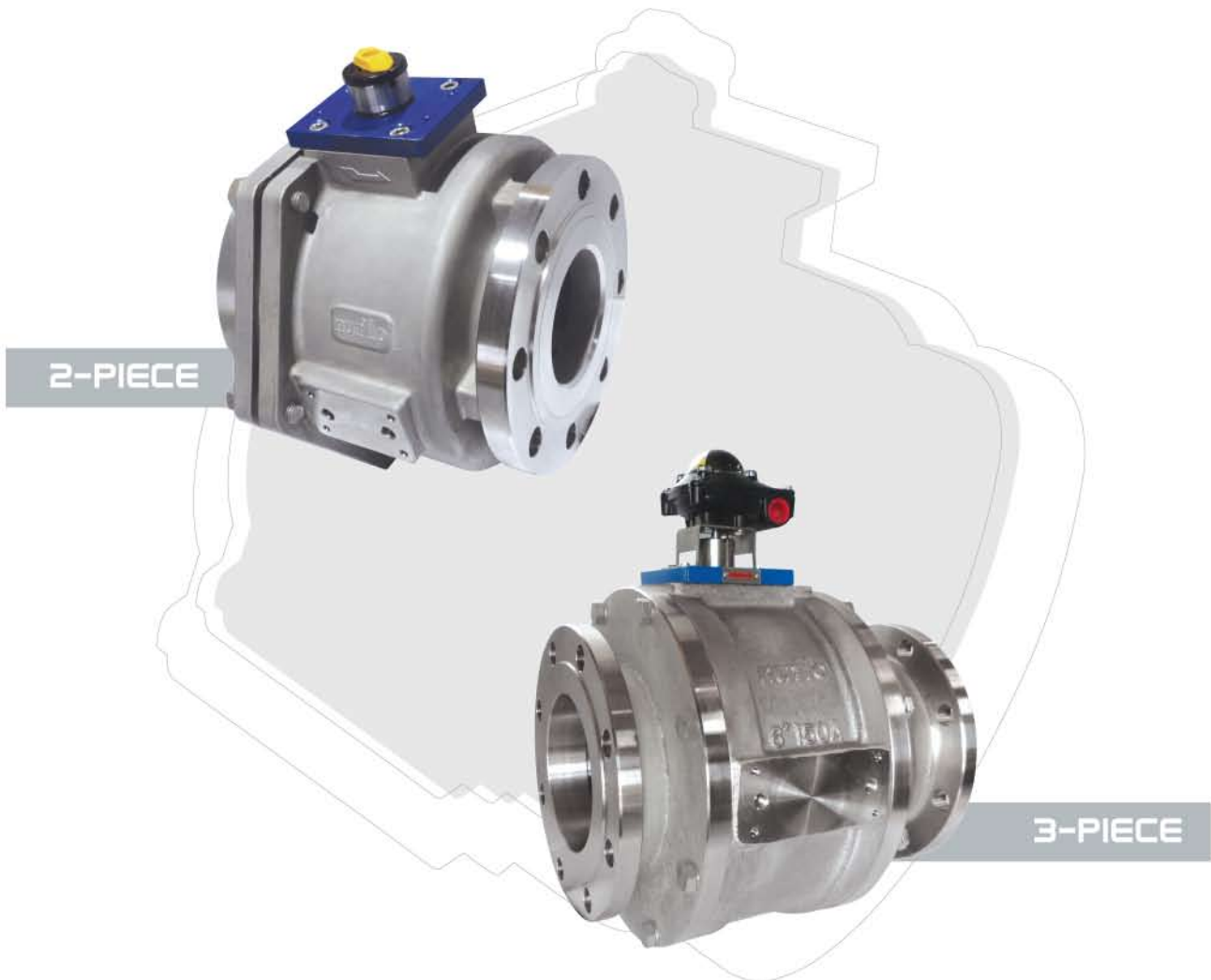
2011 Renewed ISO9001 Certification.
R&D Dept. Certificated.

2012 ISO14001 Certificated.

2013 Changed to Company name "UniFlo".



What is nuflo Valve?



Actuator Built-in Type Pneumatic Control Valve in New Concept

액츄에이터 내장형 신개념 컨트롤 밸브.

- Compact Design _ 간단한 외관구조
- Low operation Torque _ 작은 토크로 작동
- Low air consumption _ 적은 AIR 소모량
- Water Hammering Protection _ Water Hammering 방지
- No leakage around stem _ Stem 부위의 누수 없음
- Self cleaning seat _ Seat 부위 자동세척

Why nuflo Valve?

Features

nuflo® valve have superior life.

- _ nuflo®의 월등한 수명 유지.

Prevent Water Hammering.

- _ Water Hammering 방지.

Suitable for various Vacuum Line (Max 740mmHg).

- _ 각종 진공라인에 적합 (Max 740mmHg).

Best application for corrosion and toxic fluid.

- _ 부식물과 독극물 유체 라인에 최적화.

Best application for slurry and Tar fluid Line.

- _ 이물질과 타르 유체 라인에 최적화.

ANSI Class VI Seat tightness.

- _ ANSI Leakage Class VI의 누수 방지.

Applications

Where needed long life warranty.

- _ 장기간 수명을 보장 받아야 하는 곳.

Space-constrained locations.

- _ 공간의 제약이 많은 곳.

Where needed no leak.

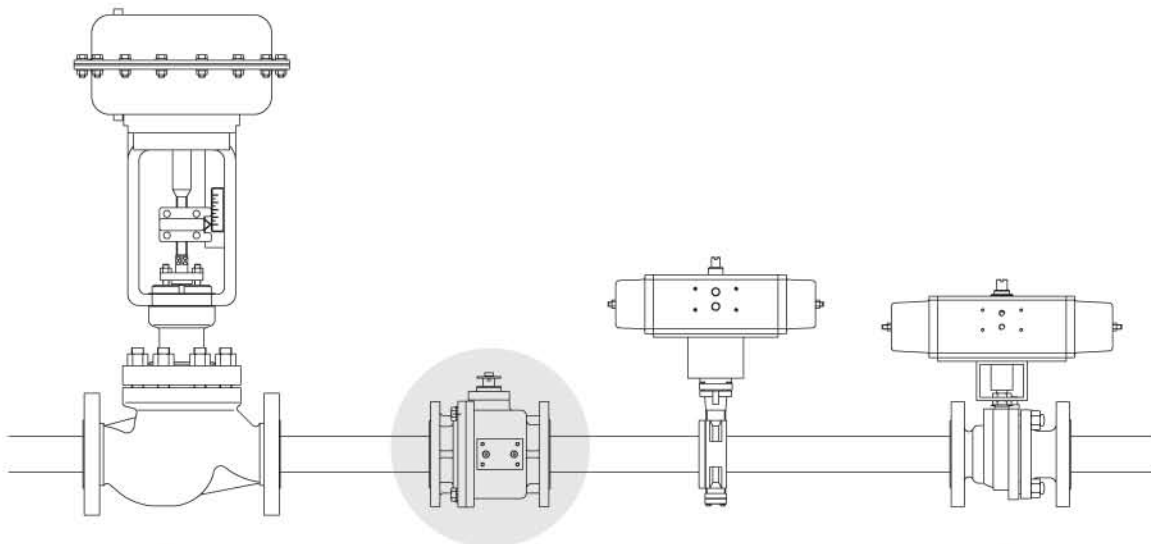
- _ 외부로 유체가 누수 되지 않아야 하는 곳.

Where needed material cost savings When plumbing.

- _ 배관 공사 시 공간절감 및 자재비 절감이 필요한 곳.

Where needed Easy on-site maintenance and repair.

- _ 간단한 현장 유지, 보수가 필요한 곳.



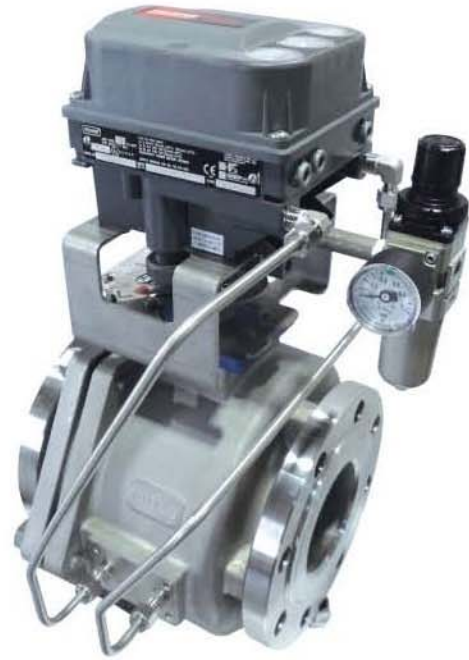
Glove Valve

Compact Design

Butterfly Valve

Ball Valve

Specification / Order code



| | |
|------------------------------|--|
| Control Type | ON-OFF / Modulating |
| Size | 15A ~ 500A (1/2"~20") |
| Actuation | Pneumatic (2~8 / for DOUBLE ACTING, 3.5~8 / for SPRING RETURN) |
| Rotation Angle | 90° |
| Connection for accessories | Namur Standard(VDE/VDI 3845) |
| Body Material | SCS13 / A351 CF8, SCS14 / A351 CF8M, SCS16 / A351 CF3M |
| Seat Material | PTFE / RTFE / PEEK / METAL |
| Packing (O-Ring / Quad-Ring) | NBR / VITON / EPDM / SILICONE |
| Temperature | -20°C ~ 100°C / 100°C ~ 200°C (Option) |
| Rating | ANSI 150#, 300#, 600# / DIN2501 PN10,16,25,40 / JIS 10K, 20K, 40K |
| End Connection | RF FLANGE |
| Tightness | ANSI CLASS V, VI |
| Operating Time (Sec.) | 1/2"~2" : 0.3~0.5, 2 1/2"~4" : 0.5~0.8, 5"~8" : 0.5~1.5, 10"~16" : 1~3, 16"~20" : 2~5 |
| Fluid | Air, Water, Gas, Tar, Petrochemical related products, Slurry liquid, Aggressive fluid. |

American Society of Mechanical Engineers

- B 16.5 Pipe Flanges and Flanged Fittings
- B 16.10 Face to face and End to end Dimensions of Ferrous Valves
- B 16.34 Valves-flanged and Butt-Welding end

Japanese Industrial Standard

- B 2001 Nominal Size and Bore of Valves
- B 2002 Face to face and End to end Dimensions of Valves
- B 2003 General Rules for Inspection of Valves
- B 2210 Flanged and Fittings

Order Code

VALVE SERIES

SW

—

LENGTH TYPE

ST

—

VALVE SIZE

100A

—

PRESSURE RATING

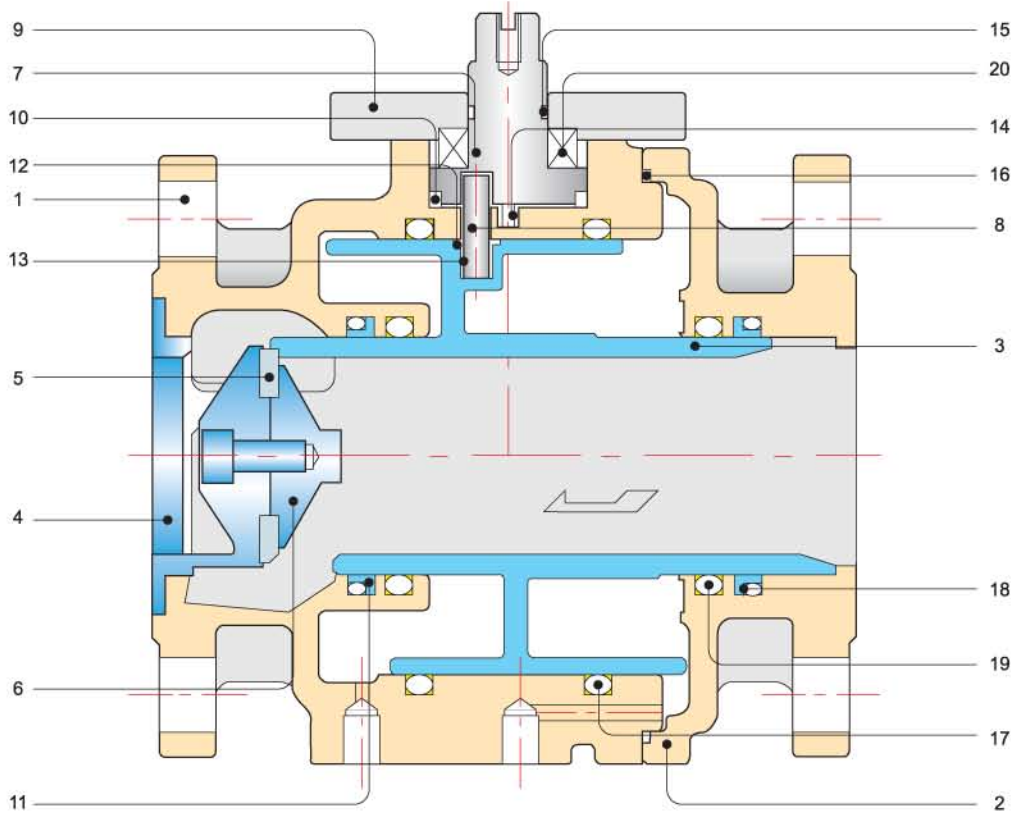
10K

ST : Standard
SP : Special

15A ~ 500A
1/2" ~ 20"

JIS 10K/20/40K
ANSI 150#/300#/600#

nuflo Construction



Parts

Disc

Operating by Small Torque.

- _ 적은 토크로 작동.

Port Trim

Designed for tight Sealing.

- _ 완벽한 Sealing(누수방지)구조로 설계.

Port Base

Guide provided for seat.

- _ 시트의 위치를 가이드 함.

Stem

Ready for various application of accessory.

- _ 다양한 악세서리 적용 가능.

Packing

Tight Sealing & Long life cycle.

- _ 최고의 봉합효과로 Disc작동 시 유체의 누수현상을 방지.

Seat

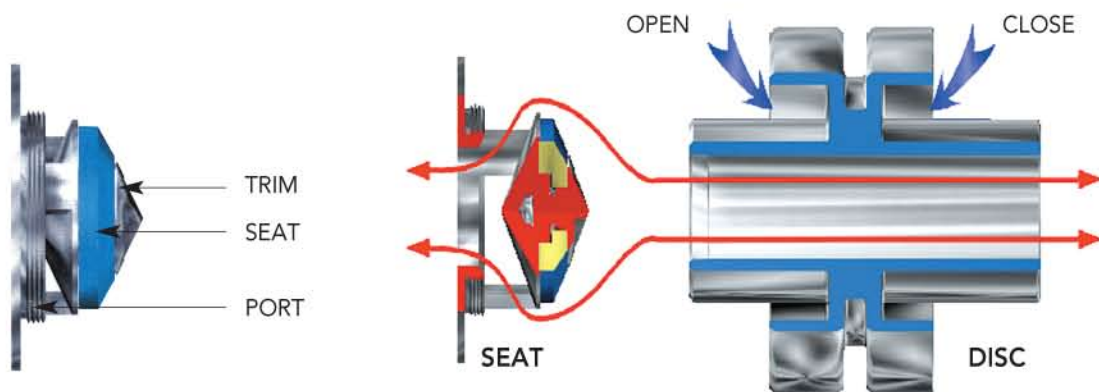
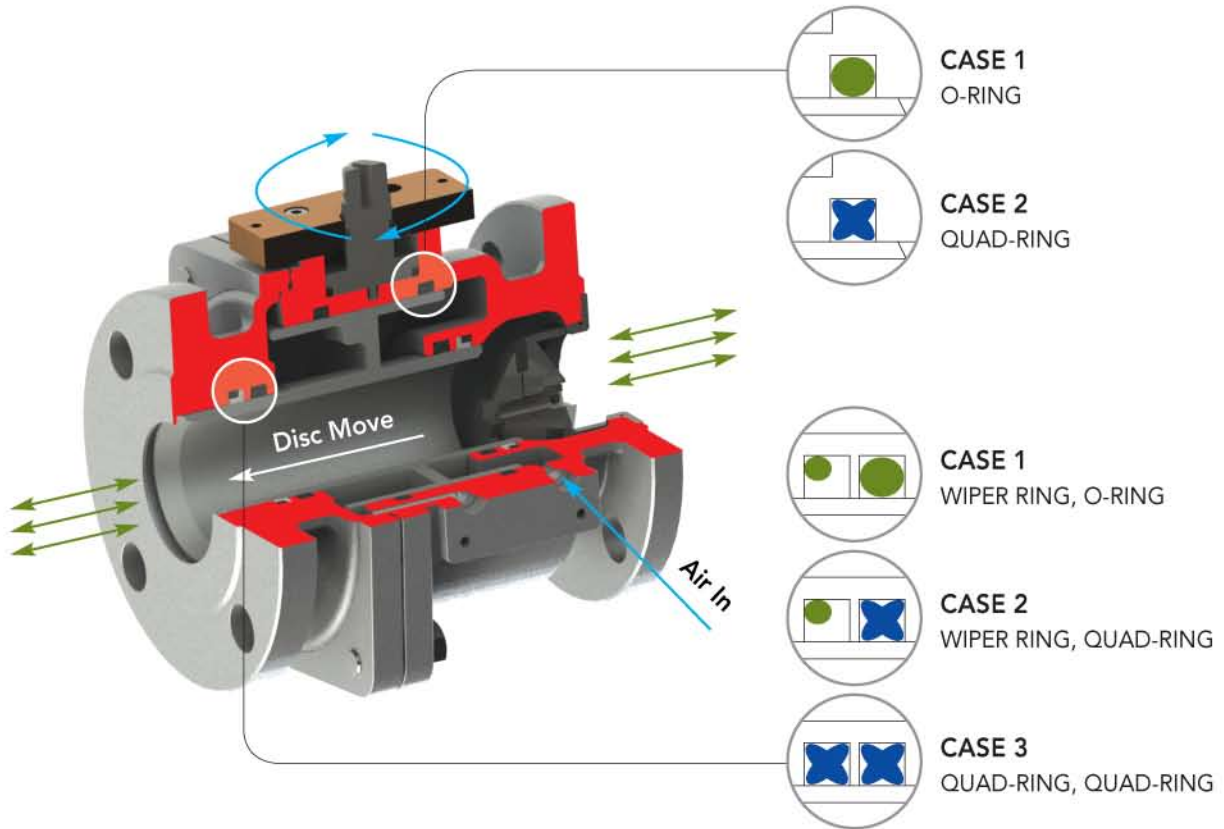
Replaceable for types of fluids, temp. etc.

- _ 다양한 유체의 유형과 온도의 범위에 따라 교체 가능.

NO Part / Material

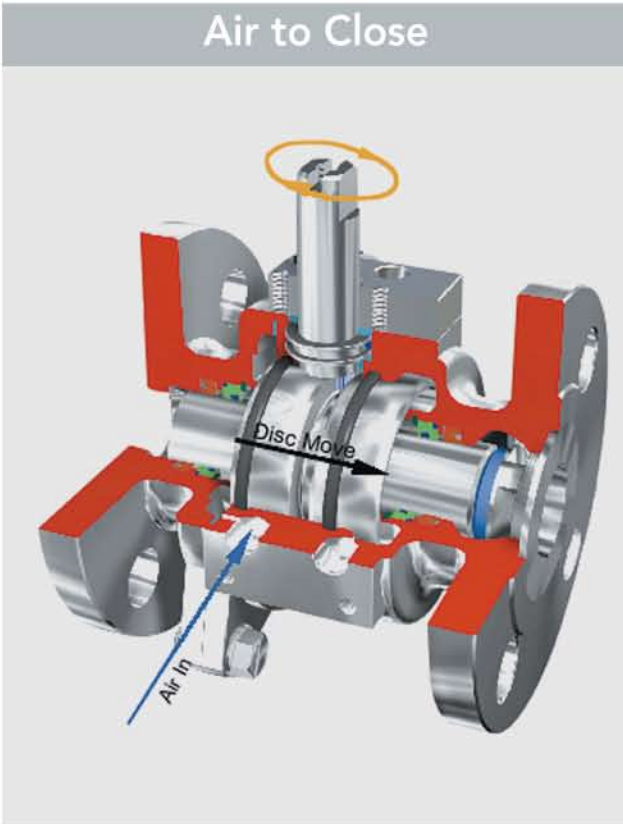
- | | |
|----|--|
| 1 | Valve Body / Stainless Steel |
| 2 | Cover / Stainless Steel |
| 3 | Disc / Stainless Steel |
| 4 | Port Base / Stainless Steel |
| 5 | Seat / PTFE / RTFE / PEEK / METAL |
| 6 | Port Trim / Stainless Steel |
| 7 | Stem / Stainless Steel |
| 8 | Stem Pin / Piano Steel |
| 9 | Stem Plate / Al Alloy |
| 10 | Stem Guide Ring / Brass |
| 11 | Wiper Ring / Quad-Ring / PTFE / Rubber |
| 12 | Thrust Washer / PTFE |
| 13 | Inner Ring / Bearing Metal |
| 14 | DU-Bush / Alloy |
| 15 | O-Ring / Rubber |
| 16 | O-Ring / Rubber |
| 17 | O-Ring / Quad-Ring / Rubber |
| 18 | O-Ring / Quad-Ring / Rubber |
| 19 | O-Ring / Quad-Ring / Rubber |
| 20 | Ball Bearing / Bearing Metal |

Packing Application



Double Acting

Air to Close

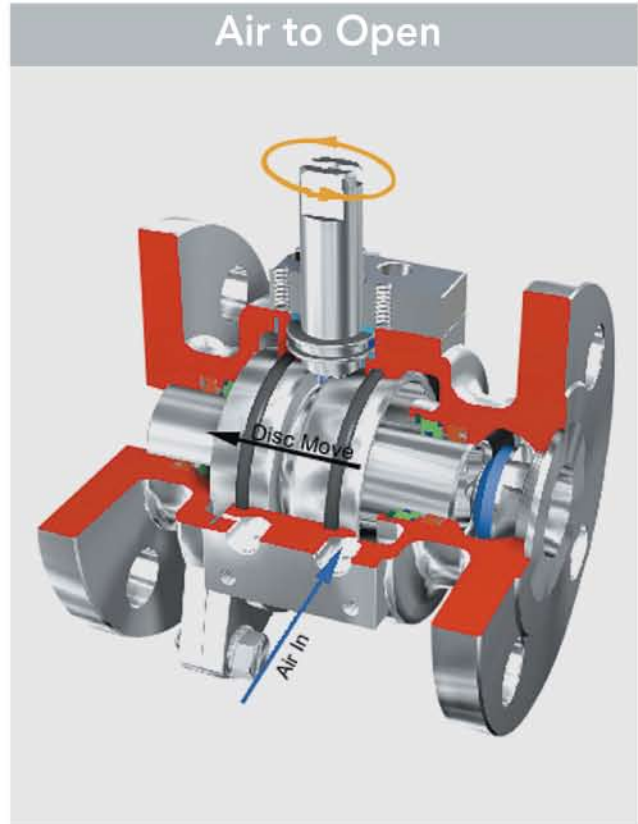


STEM ROTATE (Counter Clockwise 90°)

Supplying air through the AIR PORT "A", the disc move towards the seat direction. And stem rotate clockwise direction. The above drawing shows the final position.

_ AIR PORT "A"로 에어를 공급했을 때, 디스크가 시트방향으로 움직이게 됩니다. 그리고 STEM은 시계방향으로 회전합니다. 도면은 최종 위치를 보여줍니다.

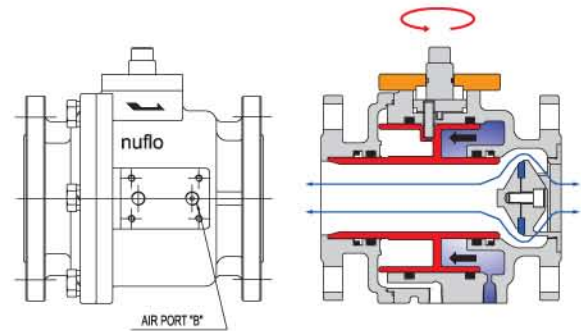
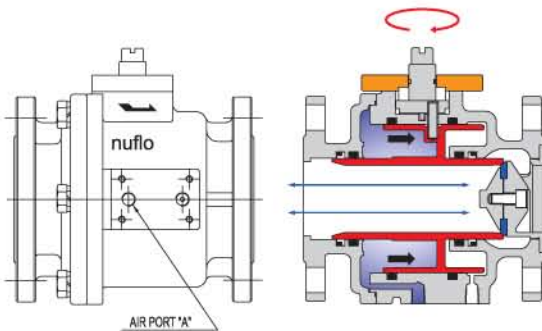
Air to Open



STEM ROTATE (Clockwise 90°)

Supplying air through the AIR PORT "B", the disc move outwards direction. And stem rotate counter clockwise direction. The above drawing shows final position.

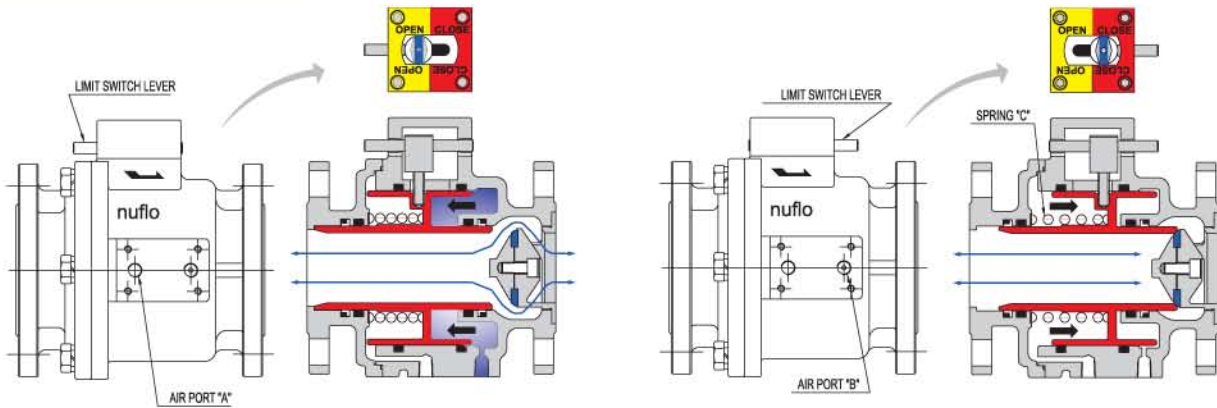
_ AIR PORT "B"로 에어를 공급했을 때, 디스크가 바깥쪽 방향으로 움직이게 됩니다. 그리고 STEM은 반시계방향으로 회전합니다. 도면은 최종 위치를 보여줍니다.



Spring Return

Less than 4" linear type stem apply. _ 4인치 이하 linear type stem 적용.

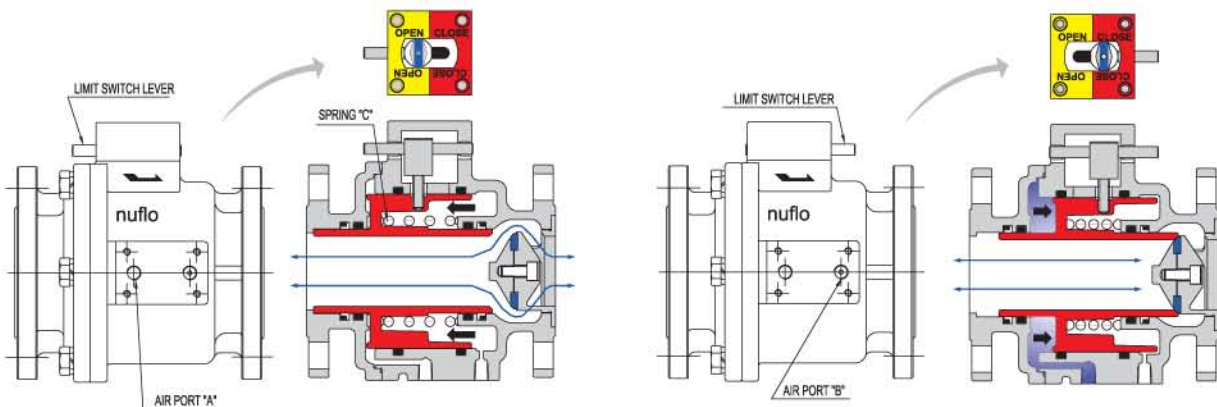
Fail to Close



Supplying air through the AIR PORT "B", the disc & limit switch lever outwards direction. Without air supply, the disc & limit switch lever of single acting valve(fall close) towards the seat direction due to spring. The above drawing shows the final position.

_ AIR PORT "B"로 에어를 공급했을 때, 디스크와 리미트 스위치 레버가 바깥쪽으로 움직이게 됩니다. 에어공급이 없을 때, 단동식 밸브(fall close)는 SPRING "C"에 의해 스위치 레버가 시트방향으로 움직이게 됩니다. 도면은 최종 위치를 보여줍니다.

Fail to Open



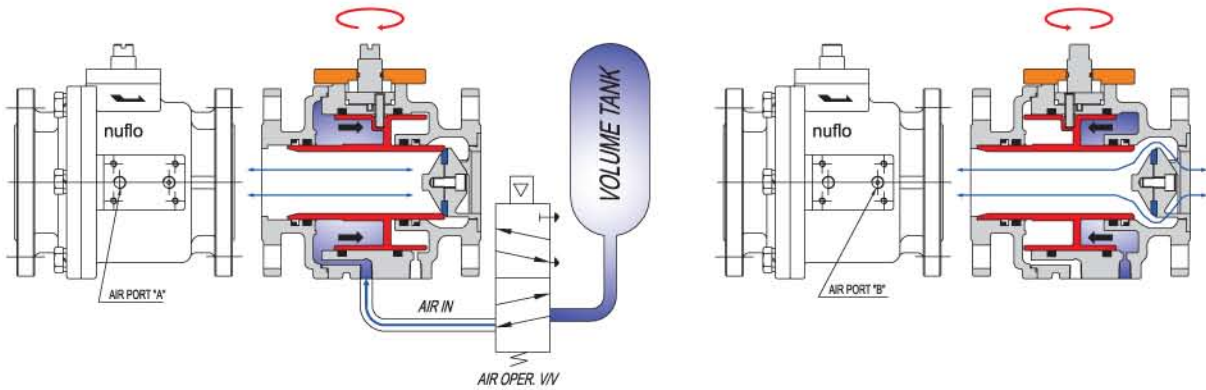
Supplying air through the AIR PORT "A", the disc & limit switch lever towards the seat direction. Without air supply, the disc & limit switch lever of single acting valve(fall open) outwards direction due to spring. The above drawing shows the final position.

_ AIR PORT "A"로 에어를 공급했을 때, 디스크와 리미트 스위치 레버가 시트방향으로 움직이게 됩니다. 에어공급이 없을 때, 단동식 밸브(fall close)는 SPRING "C"에 의해 스위치 레버가 바깥쪽 방향으로 움직이게 됩니다. 도면은 최종 위치를 보여줍니다.

Single Acting by Volume Tank

A whole size apply. _ 전체 사이즈 적용.

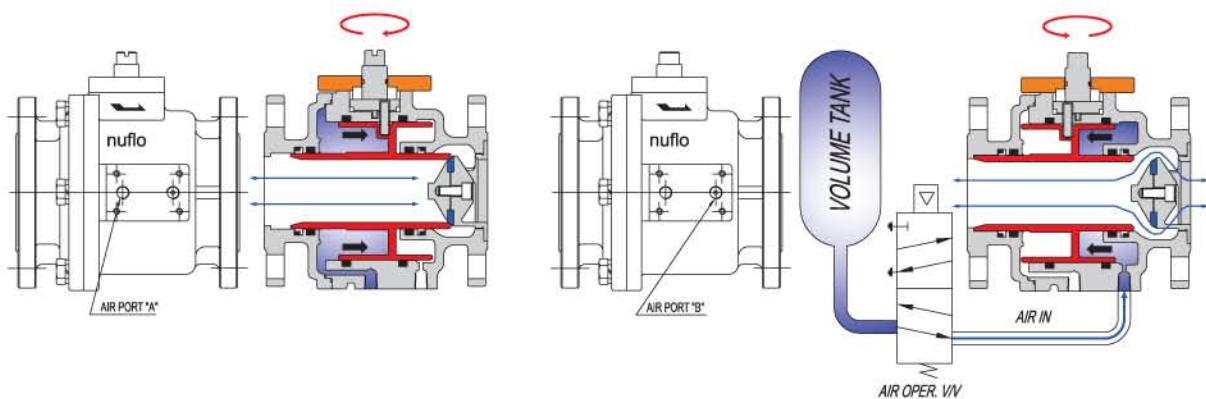
Fail to Close



Supplying air through the AIR PORT "B", the disc outwards direction. Without air supply, the disc of single acting valve(fall close) towards the seat direction due to Volume Tank. The above drawing shows the final position.

_ AIR PORT "B"로 에어를 공급했을 때, 디스크가 바깥쪽 방향으로 움직이게 됩니다. 에어공급이 없을 때, 볼륨탱크에 의해서 디스크가 시트방향으로 움직이게 됩니다. 도면은 최종 위치를 보여줍니다.

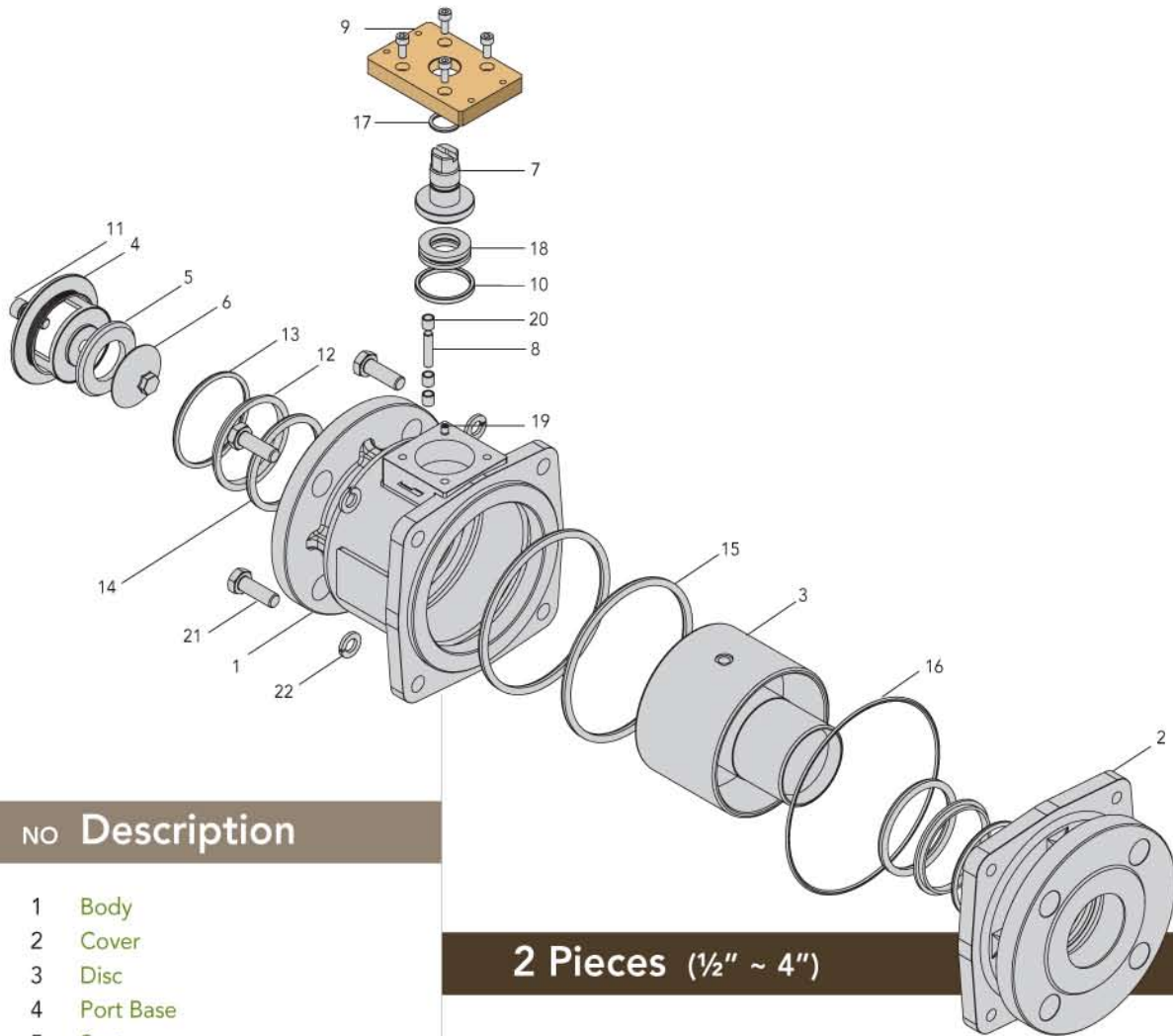
Fail to Open



Supplying air through the AIR PORT "A", the disc towards the seat direction. Without air supply, the disc of single acting valve(fall open) outwards direction due to Volume Tank. The above drawing shows the final position.

_ AIR PORT "A"로 에어를 공급했을 때, 디스크가 시트방향으로 움직이게 됩니다. 에어공급이 없을 때, 볼륨탱크에 의해서 디스크가 바깥쪽 방향으로 움직이게 됩니다. 도면은 최종 위치를 보여줍니다.

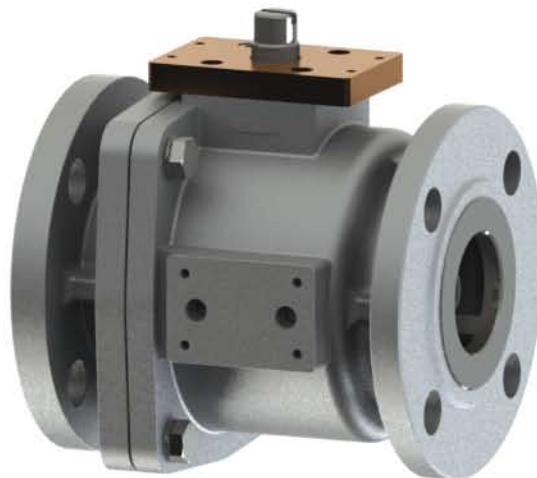
Part List



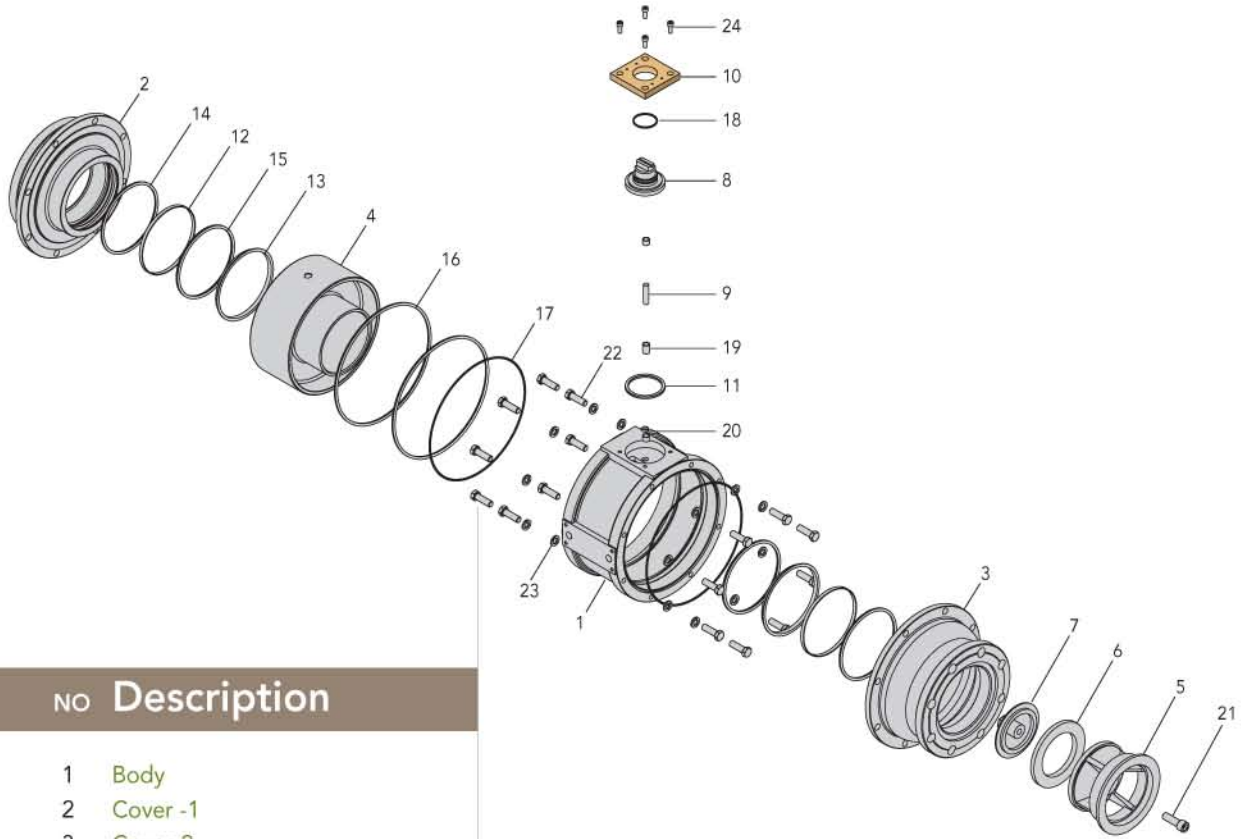
| NO | Description |
|----|-------------|
|----|-------------|

- | | |
|----|------------------------|
| 1 | Body |
| 2 | Cover |
| 3 | Disc |
| 4 | Port Base |
| 5 | Seat |
| 6 | Port Trim |
| 7 | Stem |
| 8 | Stem Pin |
| 9 | Stem Plate |
| 10 | Stem Guide Ring |
| 11 | Port Base Bolt |
| 12 | Wiper Ring / Quad-Ring |
| 13 | O-Ring / Quad-Ring |
| 14 | O-Ring / Quad-Ring |
| 15 | O-Ring / Quad-Ring |
| 16 | O-Ring |
| 17 | O-Ring |
| 18 | Ball Bearing |
| 19 | DU Bush |
| 20 | Inner Ring |
| 21 | Body Bolt |
| 22 | Spring Washer |

2 Pieces (1/2" ~ 4")



Part List



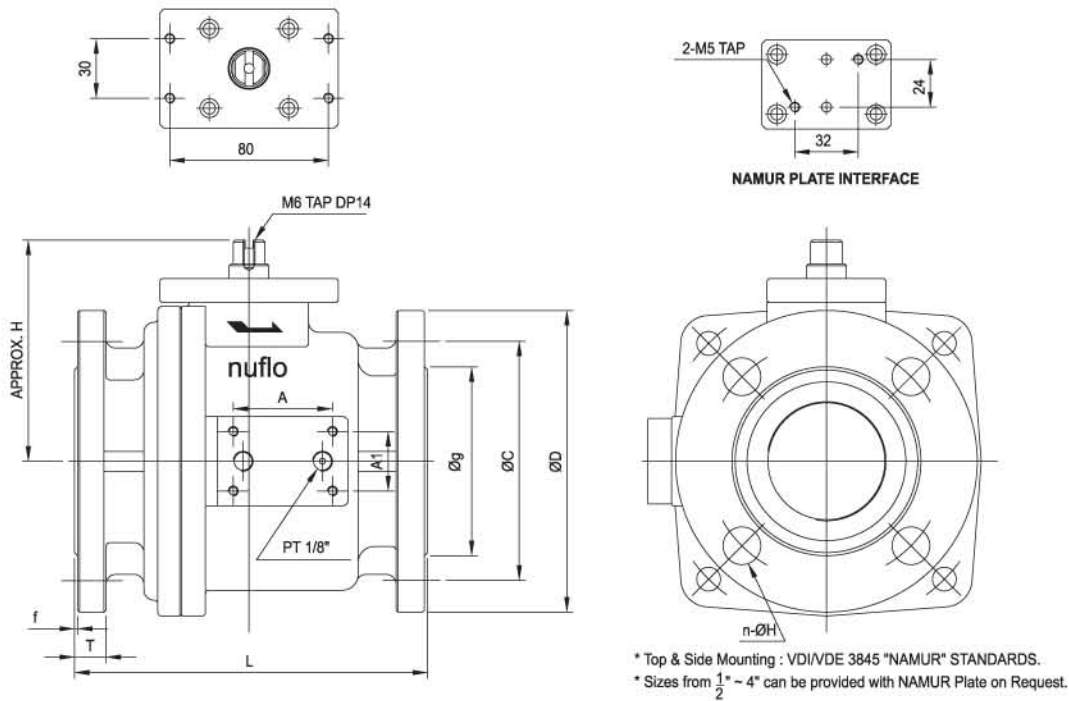
NO Description

- 1 Body
- 2 Cover -1
- 3 Cover-2
- 4 Disc
- 5 Port Base
- 6 Seat
- 7 Port Trim
- 8 Stem
- 9 Stem Pin
- 10 Stem Plate
- 11 Sten Guide Ring
- 12 Wear Ring
- 13 Wiper Ring / Quad Ring
- 14 O-Ring / Quad Ring
- 15 O-Ring / Quad Ring
- 16 O-Ring / Quad Ring
- 17 O-Ring
- 18 O-Ring
- 19 Inner Ring
- 20 DU Bush
- 21 Port Base Bolt
- 22 Body Bolt
- 23 Spring Washer
- 24 Plate Bolt

3 Pieces (5" ~ 20")



Dimension



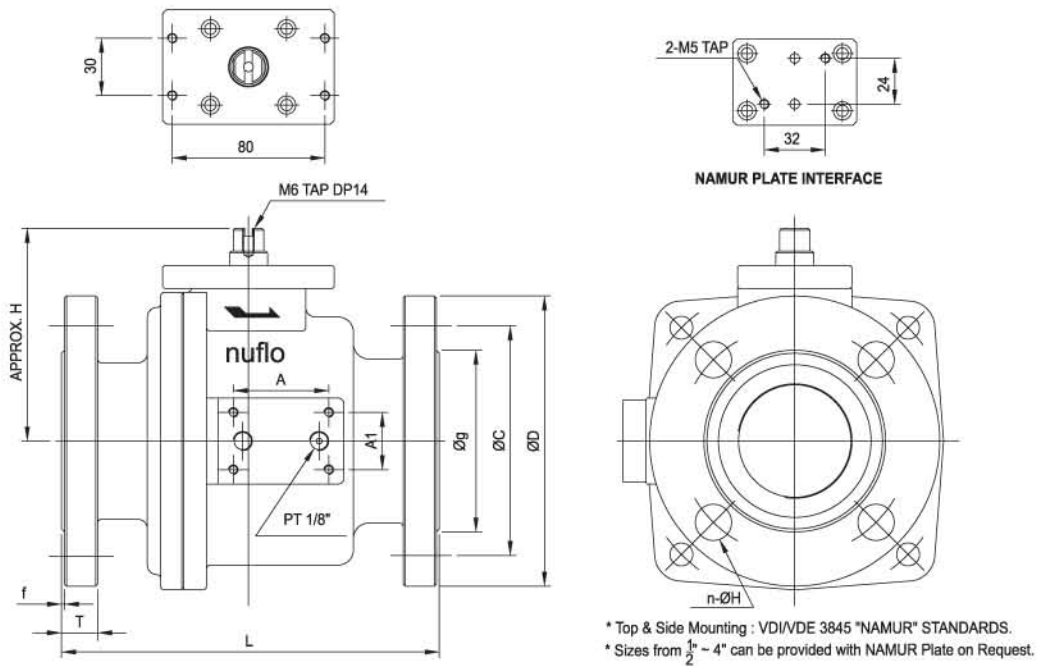
JIS 10K

| Size | inch | 1/2" | 3/4" | 1" | 1 1/4" | 1 1/2" | 2" | 2 1/2" | 3" | 4" |
|-----------------|----------------|-------|-------|------|--------|--------|------|--------|------|-------|
| | mm | 15A | 20A | 25A | 32A | 40A | 50A | 65A | 80A | 100A |
| L | mm | 108 | 108 | 127 | 166 | 166 | 178 | 190 | 203 | 229 |
| H | mm | 91.5 | 91.5 | 94 | 109.5 | 109.5 | 112 | 130 | 154 | 168 |
| g | mm | 51 | 56 | 65 | 76 | 85 | 96 | 120 | 130 | 151 |
| C | mm | 70 | 75 | 90 | 100 | 105 | 120 | 140 | 150 | 175 |
| D | mm | 95 | 100 | 125 | 135 | 140 | 155 | 175 | 195 | 210 |
| T | mm | 12 | 14 | 14 | 16 | 16 | 16 | 18 | 18 | 18 |
| f | mm | 1 | 1 | 2 | 2 | 2 | 2 | 2 | 2 | 2 |
| n-ØH | | 4-M12 | 4-M12 | 4-19 | 4-19 | 4-19 | 4-19 | 4-19 | 8-19 | 8-19 |
| Stroke | mm | 9.8 | 9.8 | 10 | 16 | 16 | 16 | 21 | 24 | 28 |
| Weight | (Approx.)kg | 8 | 8 | 9 | 10.5 | 11.5 | 13.7 | 20 | 30 | 36 |
| Air Con. | /hr/Half Cycle | 4.6 | 4.6 | 6.2 | 13.3 | 13.3 | 17.9 | 25.5 | 83.5 | 114.7 |
| A | mm | 24 | 24 | 24 | 49 | 49 | 50 | 50 | 60 | 60 |
| A1 | mm | 32 | 32 | 32 | 29 | 29 | 30 | 32 | 32 | 32 |

ANSI 150Lbs

| Size | inch | 1/2" | 3/4" | 1" | 1 1/4" | 1 1/2" | 2" | 2 1/2" | 3" | 4" |
|-----------------|----------------|-------|-------|------|--------|--------|-------|--------|-------|-------|
| | mm | 15A | 20A | 25A | 32A | 40A | 50A | 65A | 80A | 100A |
| L | mm | 108 | 108 | 127 | 166 | 166 | 178 | 190 | 203 | 229 |
| H | mm | 91.5 | 91.5 | 94 | 109.5 | 109.5 | 112 | 130 | 154 | 168 |
| g | mm | 35 | 43 | 51 | 64 | 73 | 92 | 105 | 127 | 157 |
| C | mm | 60.5 | 70 | 79.5 | 89 | 98.5 | 120.5 | 139.5 | 152.5 | 190.5 |
| D | mm | 89 | 98 | 108 | 117 | 127 | 152 | 178 | 190 | 229 |
| T | mm | 11.2 | 14 | 14.3 | 15.9 | 17.5 | 19.1 | 22.3 | 23.9 | 23.9 |
| f | mm | 1.6 | 1.6 | 1.6 | 1.6 | 1.6 | 1.6 | 1.6 | 1.6 | 1.6 |
| n-ØH | | 4-M12 | 4-M12 | 4-15 | 4-15 | 4-15 | 4-19 | 4-19 | 4-19 | 8-19 |
| Stroke | mm | 9.8 | 9.8 | 10 | 16 | 16 | 16 | 21 | 24 | 28 |
| Weight | (Approx.)kg | 8 | 8 | 9 | 10.5 | 11.5 | 13.7 | 20 | 30 | 36 |
| Air Con. | /hr/Half Cycle | 4.6 | 4.6 | 6.2 | 13.3 | 13.3 | 17.9 | 25.5 | 83.5 | 114.7 |
| A | mm | 24 | 24 | 24 | 49 | 49 | 50 | 50 | 60 | 60 |
| A1 | mm | 32 | 32 | 32 | 29 | 29 | 30 | 32 | 32 | 32 |

Dimension



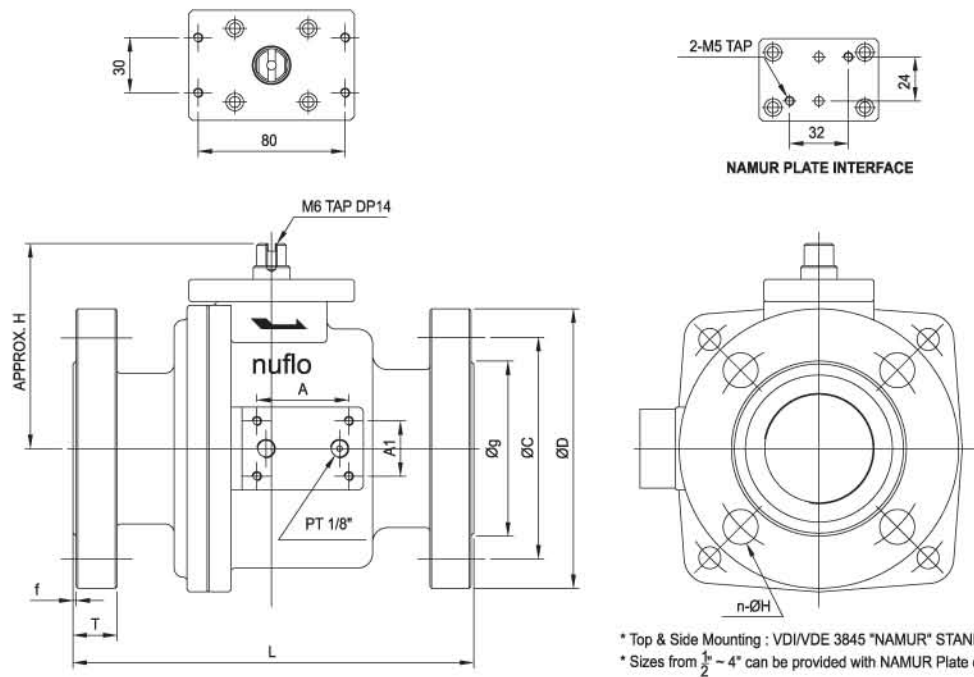
JIS 20K

| Size | inch | 1/2" | 3/4" | 1" | 1 1/4" | 1 1/2" | 2" | 2 1/2" | 3" | 4" |
|-----------------|----------------|------|------|------|--------|--------|------|--------|------|-------|
| | mm | 15A | 20A | 25A | 32A | 40A | 50A | 65A | 80A | 100A |
| L | mm | 140 | 152 | 165 | 178 | 190 | 216 | 241 | 283 | 305 |
| H | mm | 91.5 | 91.5 | 94 | 109.5 | 109.5 | 112 | 130 | 154 | 168 |
| g | mm | 51 | 56 | 67 | 76 | 81 | 96 | 116 | 132 | 160 |
| C | mm | 70 | 75 | 90 | 100 | 105 | 120 | 140 | 160 | 185 |
| D | mm | 95 | 100 | 125 | 135 | 140 | 155 | 175 | 200 | 225 |
| T | mm | 14 | 16 | 16 | 18 | 18 | 18 | 20 | 22 | 24 |
| f | mm | 1 | 1 | 1 | 2 | 2 | 2 | 2 | 2 | 2 |
| n-ØH | | 4-15 | 4-15 | 4-19 | 4-19 | 4-19 | 8-19 | 8-19 | 8-23 | 8-23 |
| Stroke | mm | 9.8 | 9.8 | 10 | 16 | 16 | 16 | 21 | 24 | 28 |
| Weight | (Approx.)kg | 9 | 9 | 10 | 12 | 13 | 16 | 22 | 33 | 40 |
| Air Con. | /hr/Half Cycle | 4.6 | 4.6 | 6.2 | 13.3 | 13.3 | 17.9 | 25.5 | 83.5 | 114.7 |
| A | mm | 24 | 24 | 24 | 49 | 49 | 50 | 50 | 60 | 60 |
| A1 | mm | 32 | 32 | 32 | 29 | 29 | 30 | 32 | 32 | 32 |

ANSI 300lbs

| Size | inch | 1/2" | 3/4" | 1" | 1 1/4" | 1 1/2" | 2" | 2 1/2" | 3" | 4" |
|-----------------|----------------|------|------|------|--------|--------|------|--------|------|-------|
| | mm | 15A | 20A | 25A | 32A | 40A | 50A | 65A | 80A | 100A |
| L | mm | 140 | 152 | 165 | 178 | 190 | 219 | 241 | 283 | 305 |
| H | mm | 91.5 | 91.5 | 94 | 109.5 | 109.5 | 112 | 130 | 154 | 168 |
| g | mm | 35 | 43 | 51 | 64 | 73 | 92 | 105 | 127 | 157 |
| C | mm | 66.5 | 82.6 | 89 | 98.5 | 114.5 | 127 | 149 | 168 | 200 |
| D | mm | 95 | 117 | 124 | 133 | 156 | 165 | 190 | 210 | 254 |
| T | mm | 14.3 | 15.7 | 17.5 | 19.1 | 20.7 | 22.3 | 25.4 | 28.6 | 31.8 |
| f | mm | 1.6 | 1.6 | 1.6 | 1.6 | 1.6 | 1.6 | 1.6 | 1.6 | 1.6 |
| n-ØH | | 4-16 | 4-19 | 4-19 | 4-19 | 4-22 | 8-19 | 8-22 | 8-22 | 8-22 |
| Stroke | mm | 9.8 | 9.8 | 10 | 16 | 16 | 16 | 21 | 24 | 28 |
| Weight | (Approx.)kg | 9 | 9 | 10 | 12 | 13 | 16 | 22 | 33 | 40 |
| Air Con. | /hr/Half Cycle | 4.6 | 4.6 | 6.2 | 13.3 | 13.3 | 17.9 | 25.5 | 83.5 | 114.7 |
| A | mm | 24 | 24 | 24 | 49 | 49 | 50 | 50 | 60 | 60 |
| A1 | mm | 32 | 32 | 32 | 29 | 29 | 30 | 32 | 32 | 32 |

Dimension



* Top & Side Mounting : VDI/VDE 3845 "NAMUR" STANDARDS.
 * Sizes from 1/2" - 4" can be provided with NAMUR Plate on Request.

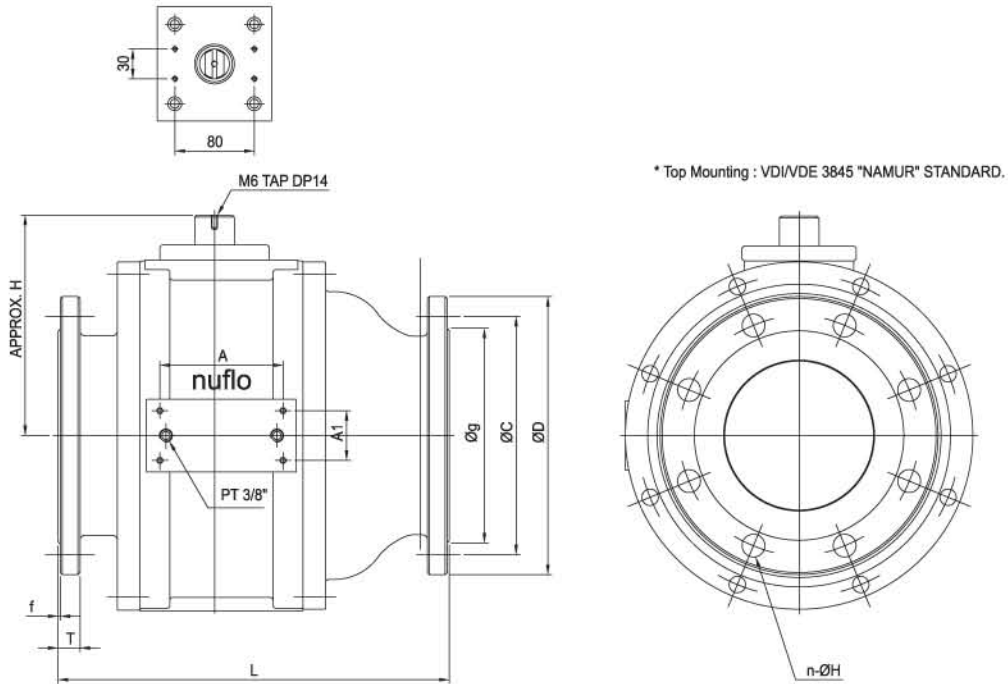
JIS 40K

| Size | inch | 1/2" | 3/4" | 1" | 1 1/4" | 1 1/2" | 2" | 2 1/2" | 3" | 4" |
|-----------------|----------------|------|------|------|--------|--------|------|--------|------|-------|
| | mm | 15A | 20A | 25A | 32A | 40A | 50A | 65A | 80A | 100A |
| L | mm | 165 | 190 | 216 | 241 | 241 | 292 | 330 | 356 | 432 |
| H | mm | 91.5 | 91.5 | 94 | 109.5 | 109.5 | 112 | 130 | 154 | 168 |
| g | mm | 51 | 60 | 70 | 80 | 90 | 105 | 130 | 140 | 165 |
| C | mm | 80 | 85 | 95 | 105 | 120 | 130 | 160 | 170 | 205 |
| D | mm | 115 | 120 | 130 | 140 | 160 | 165 | 200 | 210 | 250 |
| T | mm | 20 | 20 | 22 | 24 | 24 | 26 | 60 | 32 | 36 |
| f | mm | 1 | 1 | 1 | 2 | 2 | 2 | 2 | 2 | 2 |
| n-ØH | | 4-19 | 4-19 | 4-19 | 4-19 | 4-23 | 8-19 | 8-23 | 8-23 | 8-25 |
| Stroke | mm | 9.8 | 9.8 | 10 | 16 | 16 | 16 | 21 | 24 | 28 |
| Weight | (Approx.)kg | 10 | 10 | 12 | 14 | 15 | 18 | 26 | 39 | 47 |
| Air Con. | /hr/Half Cycle | 4.6 | 4.6 | 6.2 | 13.3 | 13.3 | 17.9 | 25.5 | 83.5 | 114.7 |
| A | mm | 24 | 24 | 24 | 49 | 49 | 50 | 50 | 60 | 60 |
| A1 | mm | 32 | 32 | 32 | 29 | 29 | 30 | 32 | 32 | 32 |

ANSI 600lbs

| Size | inch | 1/2" | 3/4" | 1" | 1 1/4" | 1 1/2" | 2" | 2 1/2" | 3" | 4" |
|-----------------|----------------|------|------|------|--------|--------|------|--------|------|-------|
| | mm | 15A | 20A | 25A | 32A | 40A | 50A | 65A | 80A | 100A |
| L | mm | 165 | 190 | 216 | 241 | 241 | 292 | 330 | 356 | 432 |
| H | mm | 91.5 | 91.5 | 94 | 109.5 | 109.5 | 112 | 130 | 154 | 168 |
| g | mm | 35 | 43 | 51 | 64 | 73 | 92 | 105 | 127 | 157 |
| C | mm | 66.5 | 82.6 | 89 | 98.5 | 114.5 | 127 | 149 | 168 | 216 |
| D | mm | 95 | 117 | 124 | 133 | 156 | 165 | 190 | 210 | 273 |
| T | mm | 14.2 | 15.7 | 23.9 | 27.1 | 28.7 | 31.8 | 35. | 38.2 | 44.5 |
| f | mm | 6.4 | 6.4 | 6.4 | 6.4 | 6.4 | 6.4 | 6.4 | 6.4 | 6.4 |
| n-ØH | | 4-16 | 4-19 | 1-19 | 4-19 | 4+22 | 8-19 | 8-22 | 8-22 | 8-25 |
| Stroke | mm | 9.8 | 9.8 | 10 | 16 | 16 | 16 | 21 | 24 | 28 |
| Weight | (Approx.)kg | 10 | 10 | 12 | 14 | 15 | 18 | 26 | 39 | 47 |
| Air Con. | /hr/Half Cycle | 4.6 | 4.6 | 6.2 | 13.3 | 13.3 | 17.9 | 25.5 | 83.5 | 114.7 |
| A | mm | 24 | 24 | 24 | 49 | 49 | 50 | 50 | 60 | 60 |
| A1 | mm | 32 | 32 | 32 | 29 | 29 | 30 | 32 | 32 | 32 |

Dimension



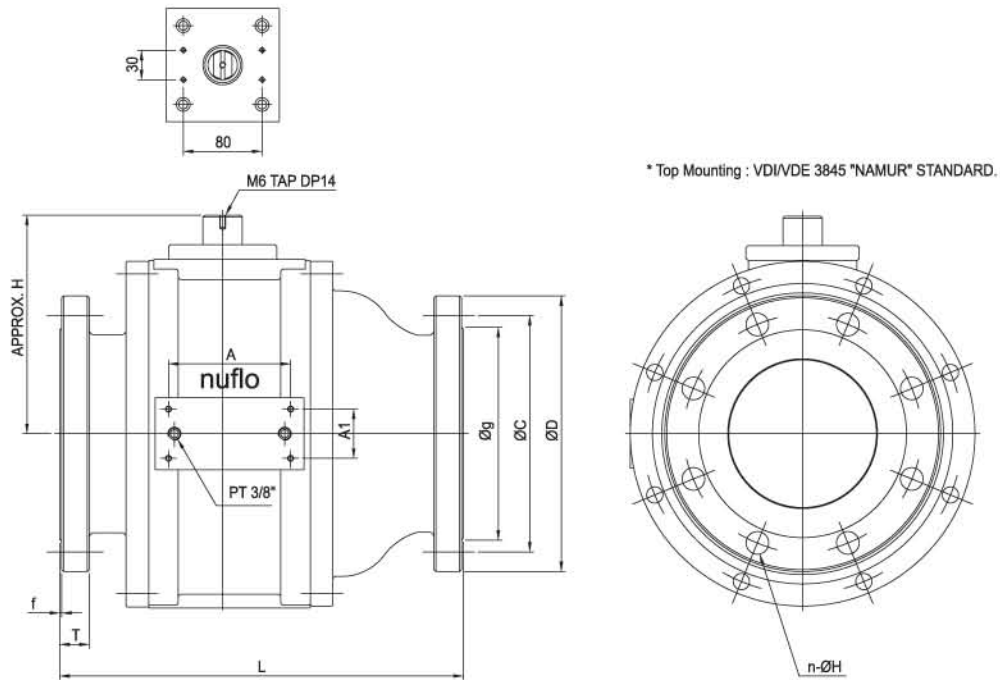
JIS 10K

| Size | inch | 5" | 6" | 8" | 10" | 12" | 14" | 16" | 18" | 20" |
|-----------------|----------------|------|------|-------|-------|-------|--------|--------|--------|--------|
| | mm | 125A | 150A | 200A | 250A | 300A | 350A | 400A | 450A | 500A |
| L | mm | 356 | 394 | 457 | 533 | 610 | 686 | 864 | 864 | 914 |
| H | mm | 240 | 250 | 256 | 286 | 390 | 424 | 439 | 449 | 500 |
| g | mm | 155 | 215 | 262 | 324 | 368 | 413 | 475 | 530 | 585 |
| C | mm | 210 | 240 | 290 | 355 | 400 | 445 | 510 | 565 | 620 |
| D | mm | 250 | 280 | 330 | 400 | 445 | 490 | 560 | 620 | 675 |
| T | mm | 20 | 22 | 22 | 24 | 24 | 26 | 28 | 30 | 30 |
| f | mm | 2 | 2 | 2 | 2 | 3 | 3 | 3 | 3 | 3 |
| n-ØH | | 8-23 | 8-23 | 12-23 | 12-25 | 16-25 | 16-25 | 16-27 | 20-27 | 20-27 |
| Stroke | mm | 32 | 37.5 | 50 | 63 | 75 | 87.5 | 100 | 100 | 100 |
| Weight | (Approx.)kg | 116 | 126 | 164 | 291 | 420 | 667 | 1004 | 1023 | 1100 |
| Air Con. | /hr/Half Cycle | 69.1 | 72.5 | 231.6 | 442.7 | 575.5 | 1741.8 | 2232.9 | 2436.5 | 2692.7 |
| A | mm | 84 | 124 | 134 | 170 | | | | | |
| A1 | mm | 50 | 50 | 50 | 50 | | | | | |

ANSI 150Lbs

| Size | inch | 5" | 6" | 8" | 10" | 12" | 14" | 16" | 18" | 20" |
|-----------------|----------------|------|-------|-------|-------|-------|--------|--------|--------|--------|
| | mm | 125A | 150A | 200A | 250A | 300A | 350A | 400A | 450A | 500A |
| L | mm | 356 | 394 | 457 | 533 | 610 | 686 | 864 | 864 | 914 |
| H | mm | 240 | 250 | 256 | 286 | 390 | 424 | 439 | 449 | 500 |
| g | mm | 186 | 216 | 270 | 324 | 381 | 413 | 470 | 533 | 584 |
| C | mm | 216 | 241.5 | 298.5 | 362 | 432 | 476 | 510 | 578 | 635 |
| D | mm | 254 | 279 | 343 | 406 | 483 | 533 | 597 | 635 | 699 |
| T | mm | 23.9 | 25.4 | 28.6 | 30.2 | 31.8 | 35.1 | 36.6 | 39.6 | 42.9 |
| f | mm | 1.6 | 1.6 | 1.6 | 1.6 | 1.6 | 1.6 | 1.6 | 1.6 | 1.6 |
| n-ØH | | 8-22 | 8-22 | 8-22 | 12-25 | 12-25 | 12-28 | 16-28 | 16-32 | 20-32 |
| Stroke | mm | 32 | 37.5 | 50 | 63 | 75 | 87.5 | 100 | 100 | 100 |
| Weight | (Approx.)kg | 116 | 126 | 164 | 291 | 420 | 667 | 1004 | 1023 | 1100 |
| Air Con. | /hr/Half Cycle | 69.1 | 72.5 | 231.6 | 442.7 | 575.5 | 1741.8 | 2232.9 | 2436.5 | 2692.7 |
| A | mm | 84 | 124 | 134 | 170 | | | | | |
| A1 | mm | 50 | 50 | 50 | 50 | | | | | |

Dimension



JIS 20K

| Size | inch | 5" | 6" | 8" | 10" | 12" | 14" | 16" | 18" | 20" |
|-----------------|----------------|------|-------|-------|-------|-------|--------|--------|--------|--------|
| | mm | 125A | 150A | 200A | 250A | 300A | 350A | 400A | 450A | 500A |
| L | mm | 381 | 403 | 502 | 568 | 686 | 762 | 864 | 864 | 991 |
| H | mm | 240 | 250 | 256 | 286 | 390 | 424 | 439 | 449 | 500 |
| g | mm | 195 | 230 | 275 | 345 | 395 | 440 | 495 | 560 | 615 |
| C | mm | 225 | 2690 | 305 | 380 | 430 | 480 | 540 | 605 | 660 |
| D | mm | 270 | 305 | 350 | 430 | 480 | 540 | 605 | 678 | 730 |
| T | mm | 26 | 28 | 30 | 34 | 36 | 40 | 46 | 48 | 50 |
| f | mm | 2 | 2 | 2 | 2 | 3 | 3 | 3 | 3 | 3 |
| n-ØH | | 8-25 | 12-25 | 12-25 | 12-27 | 16-27 | 16-33 | 16-33 | 20-33 | 20-33 |
| Stroke | mm | 32 | 37.5 | 50 | 63 | 75 | 87.5 | 100 | 100 | 100 |
| Weight | (Approx.)kg | 128 | 139 | 181 | 321 | 462 | 734 | 1105 | 1145 | 1200 |
| Air Con. | /hr/Half Cycle | 69.1 | 72.5 | 231.6 | 442.7 | 575.5 | 1741.8 | 2232.9 | 2436.5 | 2692.7 |
| A | mm | 84 | 124 | 134 | 170 | | | | | |
| A1 | mm | 50 | 50 | 50 | 50 | | | | | |

ANSI 300lbs

| Size | inch | 5" | 6" | 8" | 10" | 12" | 14" | 16" | 18" | 20" |
|-----------------|----------------|------|-------|-------|-------|-------|--------|--------|--------|--------|
| | mm | 125A | 150A | 200A | 250A | 300A | 350A | 400A | 450A | 500A |
| L | mm | 381 | 403 | 502 | 468 | 686 | 762 | 864 | 864 | 991 |
| H | mm | 240 | 250 | 256 | 286 | 390 | 424 | 439 | 449 | 500 |
| g | mm | 186 | 216 | 270 | 324 | 381 | 413 | 470 | 555 | 584 |
| C | mm | 235 | 270 | 330 | 387.5 | 451 | 514.5 | 571.5 | 628.5 | 686 |
| D | mm | 279 | 318 | 381 | 444 | 521 | 584 | 648 | 711 | 775 |
| T | mm | 35 | 36.6 | 41.3 | 47.7 | 50.8 | 53.8 | 57.2 | 60.5 | 63.5 |
| f | mm | 1.6 | 1.6 | 1.6 | 1.6 | 1.6 | 1.6 | 1.6 | 1.6 | 1.6 |
| n-ØH | | 8-22 | 12-28 | 16-25 | 16-29 | 16-32 | 20-32 | 20-35 | 24-35 | 24-35 |
| Stroke | mm | 32 | 37.5 | 50 | 63 | 75 | 87.5 | 100 | 100 | 100 |
| Weight | (Approx.)kg | 128 | 139 | 181 | 321 | 462 | 734 | 1105 | 1145 | 1200 |
| Air Con. | /hr/Half Cycle | 69.1 | 72.5 | 231.6 | 442.7 | 575.5 | 1741.8 | 2232.9 | 2436.5 | 2692.7 |
| A | mm | 84 | 124 | 134 | 170 | | | | | |
| A1 | mm | 50 | 50 | 50 | 50 | | | | | |

Typical Application



Typical Application



The solution
for **today!**
The standard
for **tomorrow!**

UNIFLO Co., Ltd. _____

Shiwha Industrial Complex 4Ma 319, 703-11, Seonggok-Dong,
Danwon-Gu, Ansan-Si, Gyeonggi-Do, Korea(Zipcode:425-1577)
TEL. +82.31.498.1577 FAX. +82.31.498.1574
E-mail. uniflo@uniflovalve.com Website. www.uniflovalve.com

Copyright UniFlo Co., Ltd. All rights reserved.