

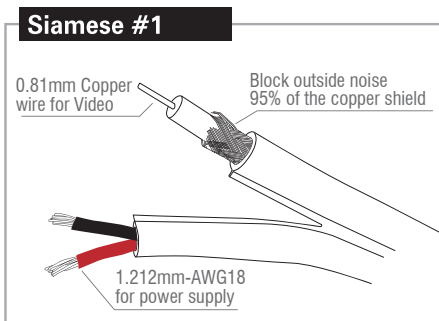
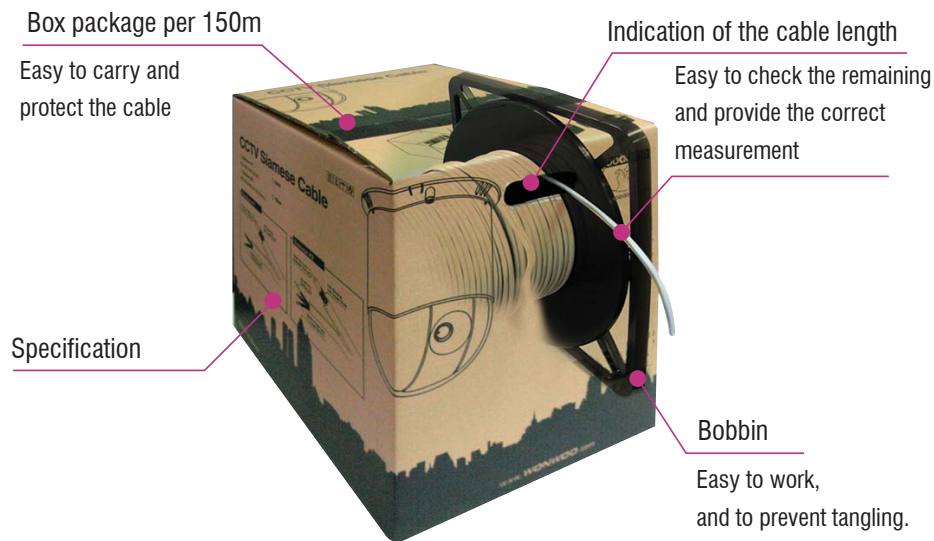


CABLE SELECTION

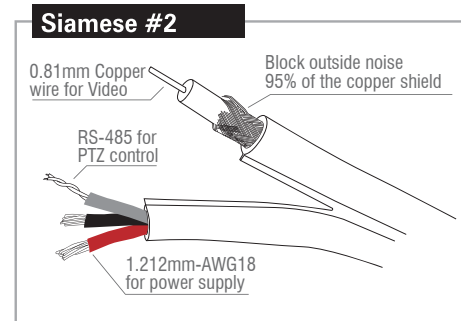
MODEL	SPECIFICATION
 <p>Siamese #1</p>	Coaxial Cable, Power

MODEL	SPECIFICATION
 <p>Siamese #2</p>	Coaxial Cable, Power, Communication

SIAMESE CABLE



For standard dome cameras, with RG-59U coaxial cable for the video and AWG18 cable for stable power supply.



For PTZ cameras and Alarm related cameras with Siamese#1 plus RS-485 communication.