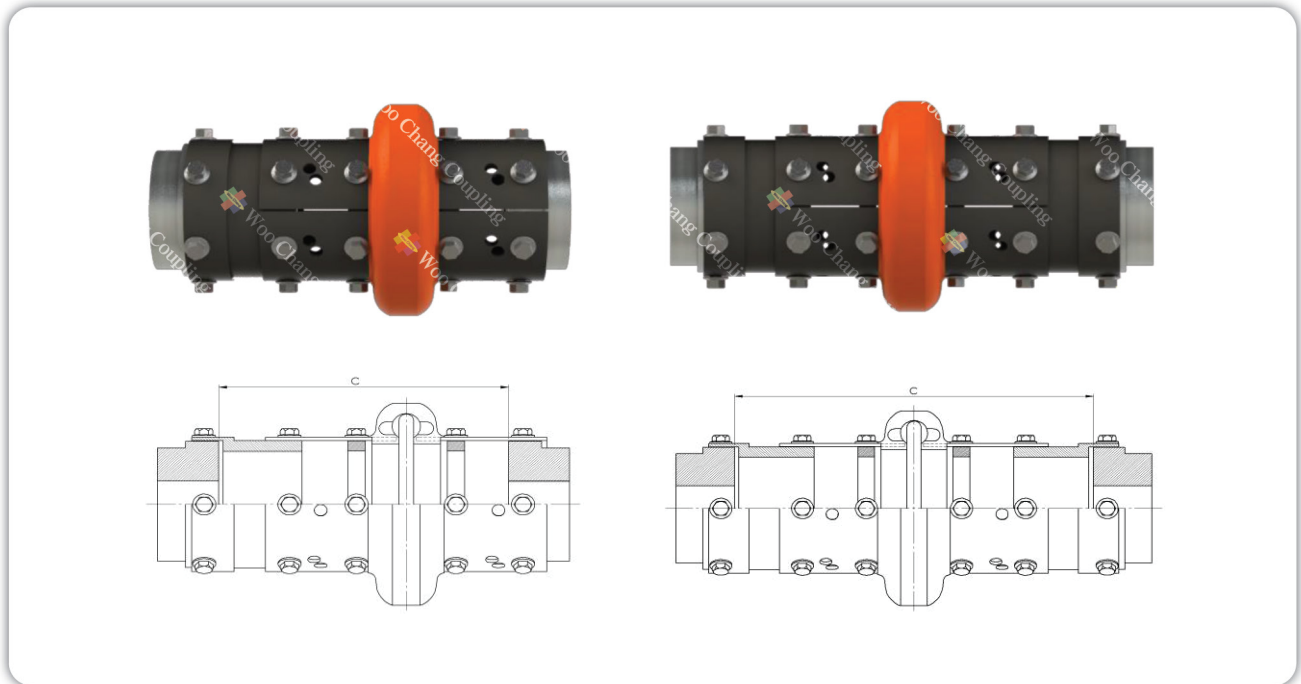


## U-flex Spacer Extended



Size	Max. RPM Standard	Max. RPM Matched Assembly	Maximum Spacing *C* Dimensions (mm)									Weight (Kg) Straight Hub Two SE
			Straight Hubs			QD Hubs			Taper Lock Hubs			
			Max. Without SE	One SE	Two SE	Max. Without SE	One SE	Two SE	Max. Without SE	One SE	Two SE	
UE03	1,800	3,600	127.00	177.80	228.60	-	-	-	136.65	187.45	238.25	3.8
UE04	1,800	3,600	127.00	177.80	228.60	141.22	192.02	242.82	136.65	187.45	238.25	4.6
UE05	1,800	3,600	127.00	177.80	228.60	128.52	179.32	230.12	136.65	187.45	238.25	6.6
UE10	1,800	3,600	127.00	177.80	228.60	139.45	190.25	241.05	133.35	184.15	234.95	8.6
UE20	1,800	3,600	177.80	247.65	317.50	176.78	246.63	316.48	171.45	241.30	311.15	14.8
UE30	1,800	3,600	177.80	247.65	317.50	163.58	227.84	297.69	165.10	234.95	304.80	21.6
UE40	1,800	3,600	177.80	247.65	317.50	145.80	209.04	278.89	152.40	222.25	292.10	31.7
UE50	1,800	3,100	177.80	247.65	317.50	158.50	221.74	291.59	152.40	222.25	292.10	43.0
UE60	1,800	2,800	247.65	365.25	482.60	195.07	312.67	430.02	222.25	339.85	457.20	67.4
UE70	1,800	2,600	247.65	384.30	520.70	170.69	307.34	443.74	186.44	323.09	459.49	79.3
UE80	1,500	1,800	247.65	390.65	533.40	120.90	263.91	406.65	173.74	314.20	457.20	141.6
UE100	1,500	1,800	95.25	222.25	349.25	44.45	177.80	311.15	152.40	285.75	419.10	201.6
UE120	1,500	1,800	123.95	257.30	390.65	44.20	171.20	298.20	181.10	308.10	435.10	313.9

※ Coupling weight, without bore machining