

Flexible Hose & Coupling

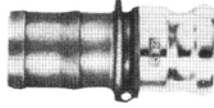
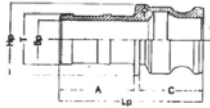
5. Quick Couplings

Quick Coupling(CAM LOCK)

P(PLUG)

HOSE CONNECTION

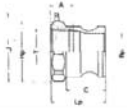
633-E



제품기호	사이즈 INCH	寸法(mm)					
		Lp	A	C	øHp	øT	øBp
LE-6TPH	3/4"	89	52	34	34	21	12
LE-8TPH	1"	104	58	43	40	27	19
LE-10TPH	1 1/4"	111	58	49	48	34	25
LE-12TPH	1 1/2"	116	61	51	58	41	32
LE-16TPH	2"	134	71	59	69	53	44
LE-20TPH	2 1/2"	146	80	61	81	67	56
LE-24TPH	3"	170	102	63	100	79	67
LE-32TPH	4"	182	109	68	133	105	89

FEMALE TH'D CONNECTION

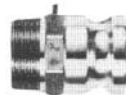
633-A



제품기호	사이즈 INCH	寸法(mm)						
		Lp	A	C	J	HP	øBp	T
LA-6TPF	3/4"	42	20	26	48	6角36	21	PT3/4"
LA-8TPF	1"	52	24	34	52	6角41	23	PT1"
LA-10TPF	1 1/4"	59	26	40	62	6角50	28	PT1 1/4"
LA-12TPF	1 1/2"	58	24	42	72	6角60	37	PT1 1/2"
LA-16TPF	2"	64	27	48	84	6角70	45	PT2"
LA-20TPF	2 1/2"	85	32	50	100	6角85	57	PT2 1/2"
LA-24TPF	3"	72	36	51	115	6角100	73	PT3"
LA-32TPF	4"	82	45	53	143	6角130	97	PT4"

MALE TH'D CONNECTION

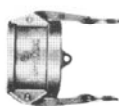
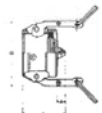
633-F



제품기호	사이즈 INCH	寸法(mm)							
		Lp	A	C	J	HP	øBp	T	
LF-6TPM	3/4"	61	20	26	48	6角36	21	PT3/4"	
LF-8TPM	1"	73	24	32	52	6角41	23	PT1"	
LF-10TPM	1 1/4"	81	26	40	62	6角50	28	PT1 1/4"	
LF-12TPM	1 1/2"	81	24	42	66	6角55	37	PT1 1/2"	
LF-16TPM	2"	90	27	18	79	6角65	45	PT2"	
LF-20TPM	2 1/2"	101	32	50	95	6角90	57	PT2 1/2"	
LF-24TPM	3"	106	36	51	110	6角95	73	PT3"	
LF-32TPM	4"	124	45	53	143	6角130	97	PT4"	

CAP FOR PLUG(L-Series)

634-B

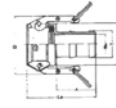
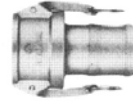


제품기호	사이즈 INCH	寸法(mm)		
		L	A	øH
L-6PD	3/4"	43	8	61
L-8PD	1"	51	8	61
L-10PD	1 1/4"	57	9	82
L-12PD	1 1/2"	58	10	90
L-16PD	2"	65	10	100
L-20PD	2 1/2"	69	10	112
L-24PD	3"	72	10	139
L-32PD	4"	76	10	167

S(SOCKET)

HOSE CONNECTION

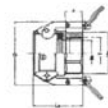
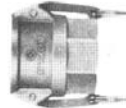
633-C



제품기호	사이즈 INCH	寸法(mm)					
		Ls	A	D	øHs	øT	øBs
LC-6TSH	3/4"	85	52	61	42	21	12
LC-8TSH	1"	99	58	61	47	27	19
LC-10TSH	1 1/4"	104	58	82	59	34	25
LC-12TSH	1 1/2"	108	61	90	65	41	32
LC-16TSH	2"	123	71	100	76	53	44
LC-20TSH	2 1/2"	137	80	112	90	67	56
LC-24TSH	3"	161	102	139	108	79	67
LC-32TSH	4"	172	109	167	139	105	89

FEMALE TH'D CONNECTION

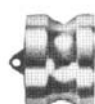
633-D



제품기호	사이즈 INCH	寸法(mm)						
		Ls	A	D	Hs	øBs	T	
LD-6TSF	3/4"	53	22	61	6角36	21	PT3/4"	
LD-8TSF	1"	65	25	61	6角41	25	PT1"	
LD-10TSF	1 1/4"	73	28	82	6角50	33	PT1 1/4"	
LD-12TSF	1 1/2"	71	24	90	6角60	38	PT1 1/2"	
LD-16TSF	2"	85	27	100	6角70	48	PT2"	
LD-20TSF	2 1/2"	89	32	112	6角85	59	PT2 1/2"	
LD-24TSF	3"	95	36	139	6角100	73	PT3"	
LD-32TSF	4"	107	48	167	6角130	94	PT4"	

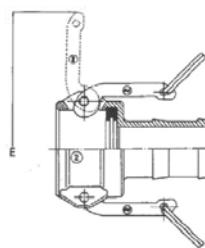
MALE TH'D CONNECTION

634-A



제품기호	사이즈 INCH	寸法(mm)		
		L	A	øH
L-6SD	3/4"	36	8	32
L-8SD	1"	43	8	37
L-10SD	1 1/4"	50	9	46
L-12SD	1 1/2"	50	9	53
L-16SD	2"	57	10	63
L-20SD	2 1/2"	60	10	76
L-24SD	3"	62	10	92
L-32SD	4"	67	12	120

레바의 최대 全開長



사이즈 INCH	寸法 E (mm)
3/4"	122
1"	132
1 1/4"	183
1 1/2"	191
2"	201
2 1/2"	213
3"	250
4"	278

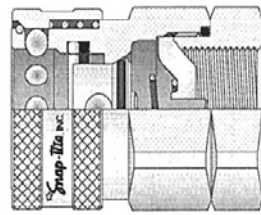
※기타 사양 및 형상에 관한 것은 당사에 연락주시면 상세히 사양을 알려 드리겠습니다.

Snap Tite Quick Coupling

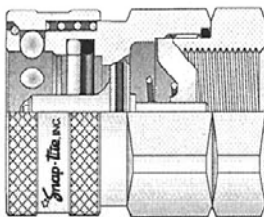
H Series quick disconnects have been proven by years of use on hydraulic-pneumatic applications and in handling of many gases and fluids. The H Series fully engineered design meets or exceeds MIL-C-51234 and provides superior flow characteristics with built in reliability.

PH Option - Has the same advantages built into the H Series with the addition of an instant, automatic bleed-off valve built into the valve for fast, easy connection of hydraulic lines and for other applications that call for periodic connection against trapped static hydraulic pressure. The PH option can be placed in either the valve coupler or the valve nipple and are completely interchangeable with the H Series coupler or nipple. The PH option has successfully been field tested in connecting against static pressures up to 3,000 psi (210 bar). Available in steel, Trivalent plated, in sizes 3/8", 1/2", 3/4" and 1".

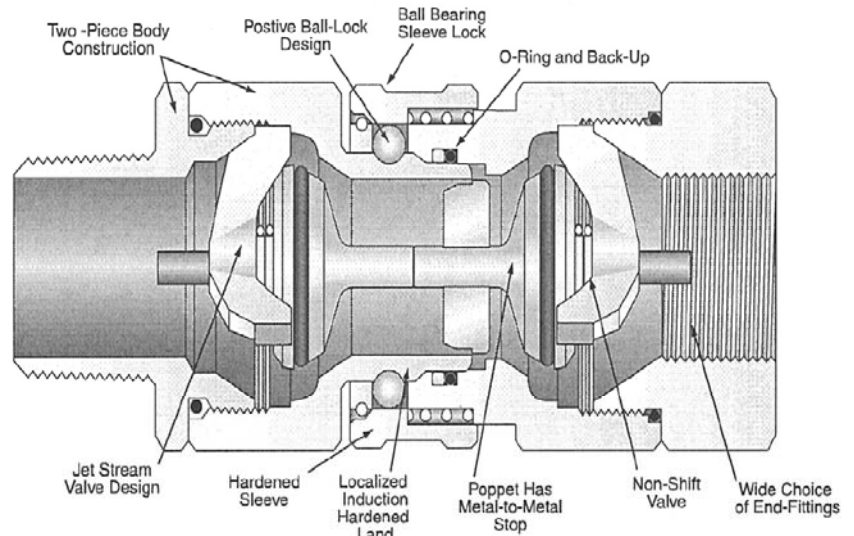
IH Option - The IH Series is identical to the H Series except for the valve which was designed specifically for durability when used in pneumatic systems using reciprocating, pulsating and rotary motion air tools. Cylindrical construction of the IH valve provides 360° contact with the plain H Series nipple. This permits repeated cycling while enabling efficient operation and long life. Available in steel, Trivalent plated in sizes 1/4", 3/8", 1/2" and 3/4".



IH Option



PH Option



WORKING PRESSURES

Quick Disconnect Size	Valve & Valve (Double Shut-off) Valve & Plain (Single Shut-off)								Plain & Plain (No Shut-off)							
	Steel		Aluminum		Brass		Stainless Steel		Steel		Aluminum		Brass		Stainless Steel	
	psi	bar	psi	bar	psi	bar	psi	bar	psi	bar	psi	bar	psi	bar	psi	bar
1/4"	6500	448	2250	155	2250	155	5000	345	11000	759	4000	276	4000	276	10000	690
3/8"	4500	310	2250	155	2250	155	4000	276	11000	759	4000	276	4000	276	8000	552
1/2"	4000	276	1750	121	2000	138	3750	259	11000	759	4000	276	4000	276	8000	552
3/4"	3500	241	1750	121	2000	138	2000	138	9000	621	3500	241	3500	241	7000	483
1"	2000	138	1500	103	1750	121	2000	138	6000	414	3000	207	3000	207	4000	276
1-1/4"	1750	121	375	26	350	24	1500	103	5000	345	1000	69	1000	69	3000	207
1-1/2"	1500	103	375	26	350	24	1500	103	5000	345	1000	69	1000	69	3000	207
2"	1500	103	300	21	400	28	500	34	4000	276	750	52	750	52	1000	69
2-1/2"	1000	69	300	21	400	28	400	28	1000	69	300	21	400	28	400	28
3"	750	52	200	14	200	14	400	28	750	52	200	14	200	14	400	28
4"	500	34	150	10	150	10	300	21	500	34	150	10	150	10	300	21

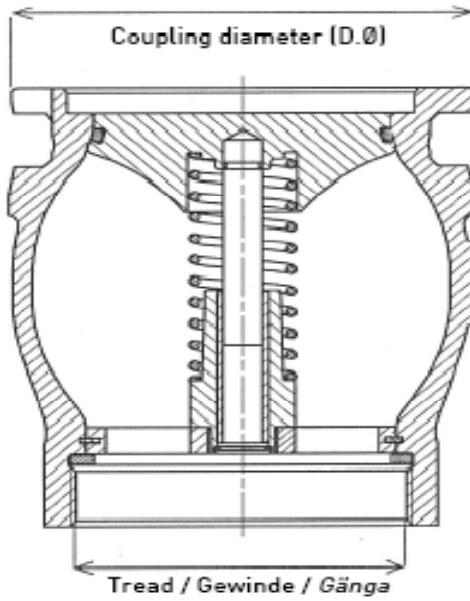
NOTE: Pressure ratings were established under static pressure conditions. Therefore, pressure ratings for any given flow, pressure surge, and/or vibration may vary from these ratings.

Pressure and Flow Data

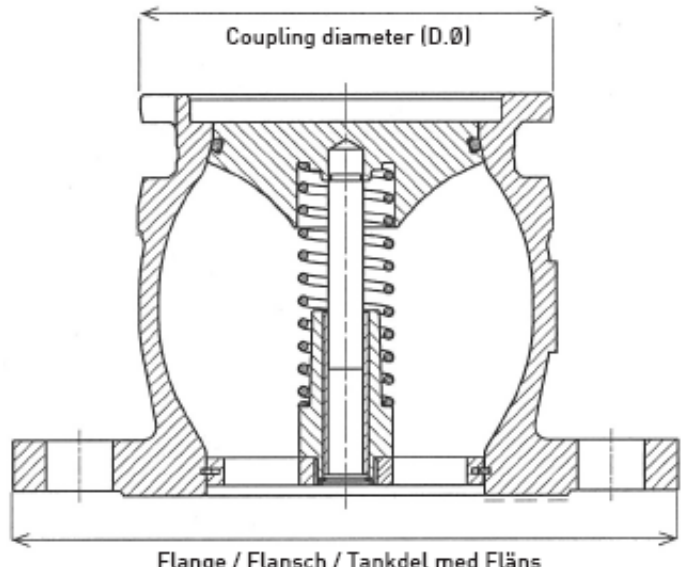
Pressure ratings of standard quick disconnects can be increased for some applications by slight design modifications or if specific operating conditions are met. On applications requiring higher ratings than those listed or pressure surges, please consult the factory. Burst pressures listed were taken at the point at which failure rendered the quick disconnect inoperative. (Proof pressure equals 1-1/2 times the working pressure; burst pressure equals 2 times working pressure.)

TODO MATIC Quick Coupling

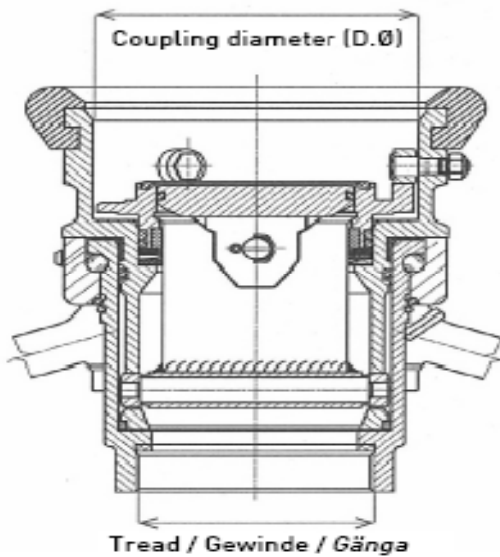
Tank Unit with Thread



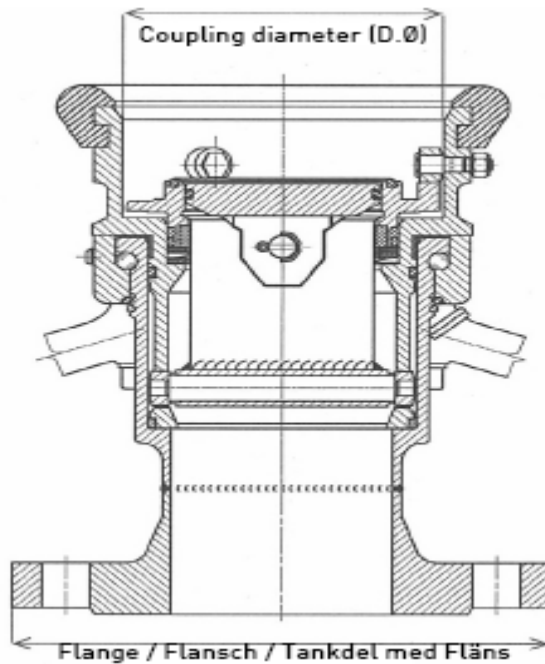
Tank Unit with Flange



Hose Unit with Thread



Hose Unit with Flange



Dimension

Dimension Tank unit		Coupling diameter
DN Muttereil		Kupplungsdurchmesser
Dimension slangdel		Fattningsdiameter
Inch	DN	D.Ø
3/4"	19DN	56mm
1"	25DN	56mm
1 1/4"	32DN	56mm
1 1/2"	40DN	70mm
2"	50DN	70mm
2 1/2"	65DN	105mm
3"	80DN	119mm
4"	100DN	164mm
5"	150DN	238mm