

EHB

ELEVATED BIDIRECTIONAL HIGH INTENSITY LIGHT

EHB-REDL : RUNWAY EDGE LIGHT

Compliance with standards

ICAO : Annex14 Para 5.3.9

IEC : 61827

FAA : AC 150/5345-46, L-862

K S : KS W 5021(Korean Standard)



The EHB consists of a frangible stem in aluminium casting mounted on a 2 inch 11 TPI threaded coupling, an upper body in die casting aluminium housing the GY-9.5 lamp holder and the optical parts made of heat resistant glass. All the hardware is made of stainless steel. The optical assembly consists of an outer glass dome having an external smooth surface to prevent accumulation of dirt and two beam shaping lenses. Coloured inner lenses can be mounted if required by ICAO colour coding. The light fitting is supplied with a 2-pole plug FAA L-823 with heat resistant wires.

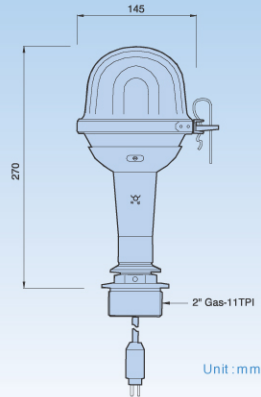
Features

- Body casting made of aluminium alloy for lightness, mechanical strength and durability
- Environmental friendly materials
- Easy lamp replacement without any tools
- Smooth outer dome eliminating the risk of build up of dirt, easy to clean
- Contained dimensions to withstand jet blast
- Compliant for 45 & 60 m wide runways in CAT III operations with a 120W & 150W 6.6A lamp
- Long lamp life - 1000 hours at full brilliancy



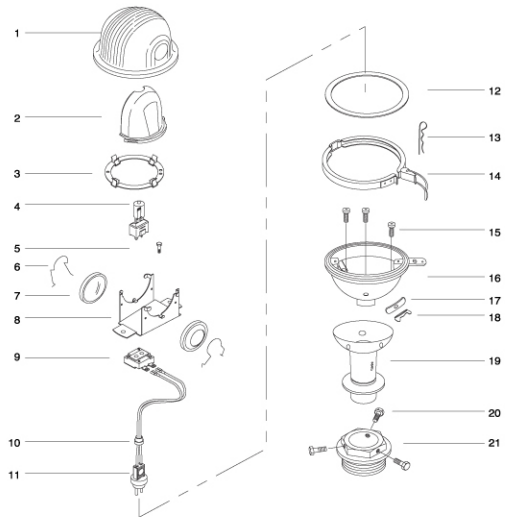
EHB

ELEVATED BIDIRECTIONAL HIGH INTENSITY LIGHT



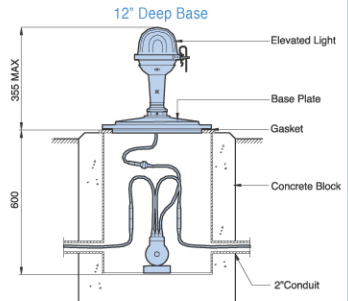
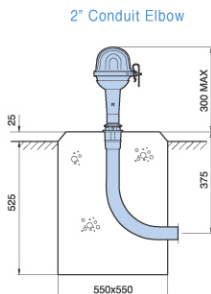
1. Dome lens
2. Color filter
3. Filter support ASS'Y
4. Halogen lamp
5. Bolt
6. Lens fixing spring
7. Inner lens
8. Socket lens support
9. Socket
10. Cord bush
11. Two-pole plug cable with plug
12. Gasket
13. Locking pin
14. Ring Band assembly
15. Bolt
16. Upper body
17. Body fixing washer
18. Wing nut
19. Lower body
20. Bolt
21. Coupling(2')

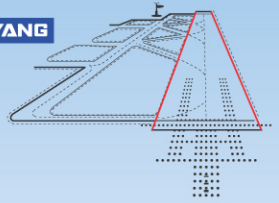
Components



Typical Mounting System

Unit : mm





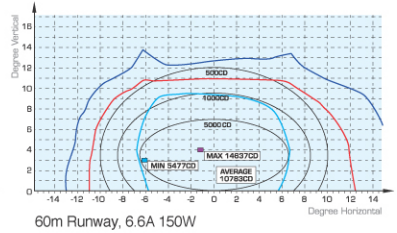
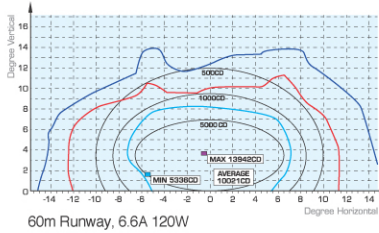
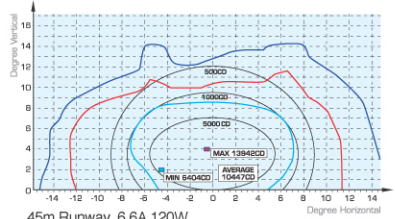
Photometric Performance

► Runway Edge Light

Application	Angle		Lamp	ICAO Intensity	Average Intensity
	V	H			
45m	0~7 °	±5.5 °	120Wx1	10,000	10,447cd
60m	0~7 °	±6.5 °	120Wx1	10,000	10,021cd
60m	0~7 °	±6.5 °	150Wx1	10,000	10,783cd

● NOTE

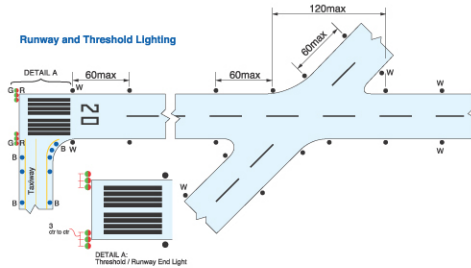
1. For yellow light multiply by 0.4
 2. Chromaticity
- White X:0.4239, Y:0.3977 -Yellow X:0.6045, Y:0.3944



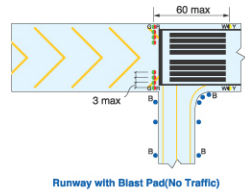
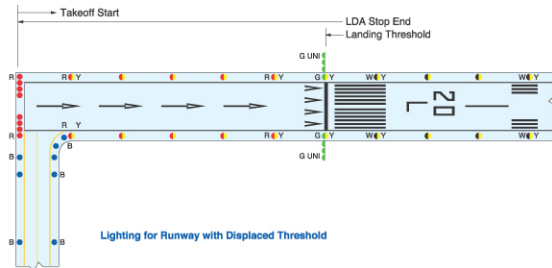
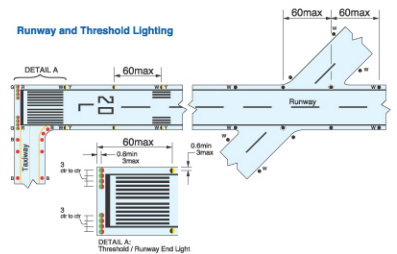
Lighting Layout Information

Unit : m

Runway and Threshold Lighting



Runway and Threshold Lighting



Ordering Code

E H B - R E D L - 1 2 0 - 0 1

Model Name EHB-REDL

Lamp Wattage 120-6.6A 120W(GY-9.5) 150-6.6A 150W(GY-9.5)

Light Color 01: White/White 02: White/Yellow

Description

Model Name	Item	Specification
EHB - REDL	Runway Edge Light	6.6A 120W * 1 White/White
		6.6A 120W * 1 White/Yellow
		6.6A 150W * 1 White/White
		6.6A 150W * 1 White/Yellow

Spare Parts

Description	Specification	Ordering code
Light Body	Runway Edge Light	Z120300
Inner Lens		142-006A
Outer Lens(Dome)		142-014A
Color Filter	Yellow	143-034A
	Red	143-032A
	Blank	143-086A
Lamp	6.6A 120W, GY-9.5	111-217A
	6.6A 150W, GY-9.5	111-218A

Head Office

738-2, Kwanyang-Dong, Dongan-Ku,
Anyang City, Kyunggi-Do, Korea

Tel : 82-31-422-0021 Fax : 82-31-424-6044

http://www.youyang.co.kr E-mail: youyang@youyang.co.kr