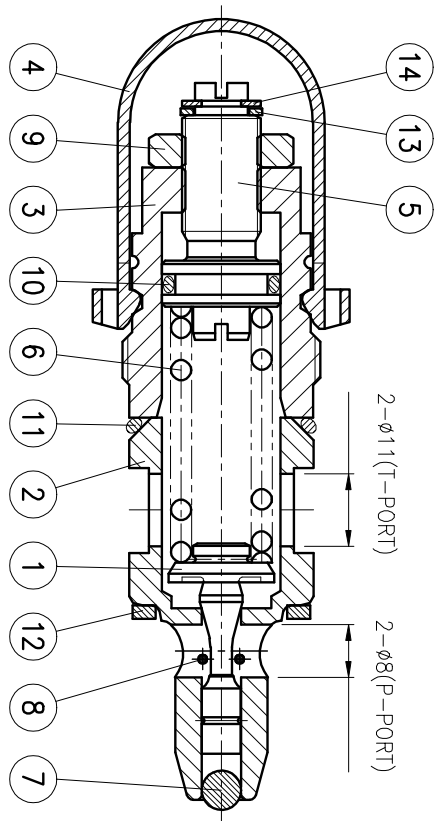
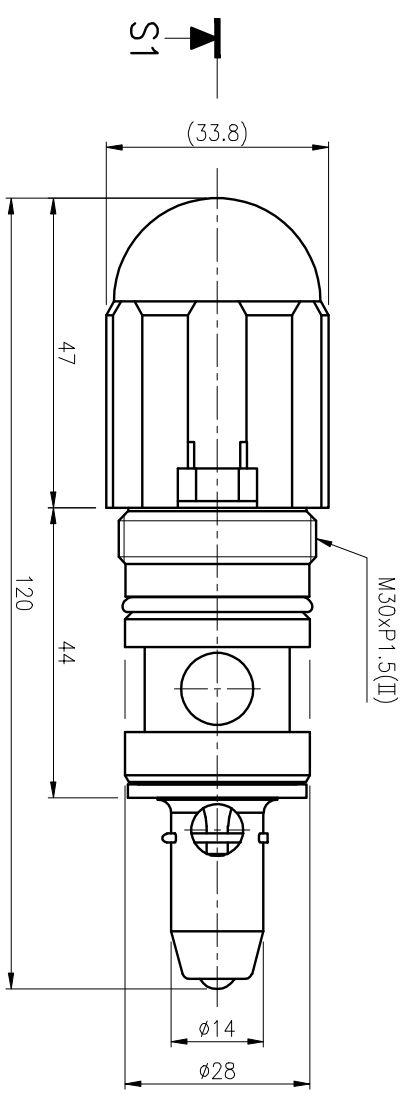


ITEM	DESCRIPTION	SIZE	MATERIAL	QTY	REMARKS
------	-------------	------	----------	-----	---------

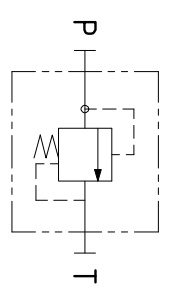
SPECIFICATION

- 최대유량(P → T) : 120 L/min
- 사용압력범위
 - 1 : 7 ~ 67 kgf/cm²
 - 2 : 70 ~ 180 kgf/cm²
 - 3 : 100 ~ 250 kgf/cm²
 - 4 : 50 ~ 350 kgf/cm²
- 형식 기호 설명 : DC1V-10-※



SECTION S1-S1

NO	DESCRIPTION	MATERIAL	DRAW.NO	QTY	REMARK
14	형 SNAP-RING			1	
13	WASHER		8841789	1	
12	SEAL-WASHER		8841717	1	
11	O-RING			1	
10	O-RING			1	
9	LOCK NUT		8841788	1	
8	STOPPER		8841718	1	
7	BALL			1	
6	180K SPRING		8841716	1	
5	67K SPRING		8841715	1	
4	ADJUST SCREW		8841714	1	
3	CAP		8830755	1	
2	RETAINER		8830754	1	
1	SEAT		8830753	1	
1	POPPET		8830752	1	



유압회로도

NO.	DATE	REVISIONS	QTY	CHARGE	APPROVED	DATE

주식회사 덕인공업 DUKIN INDUSTRIES CO., LTD.

PLANT: RELIEF VALVE

FACTORY: RELIEF VALVE

TITLE: DC1V-10 ASS'Y (단면구조도)

SCALE: 1.25:1

DWG: mm

DATE: 2007.08

REFERENCE DWG. NO.

DRAWING NO. 8830832

REV