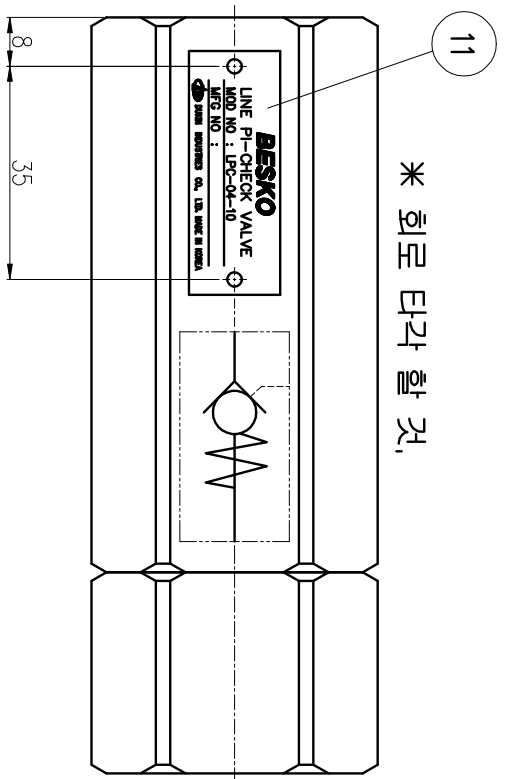
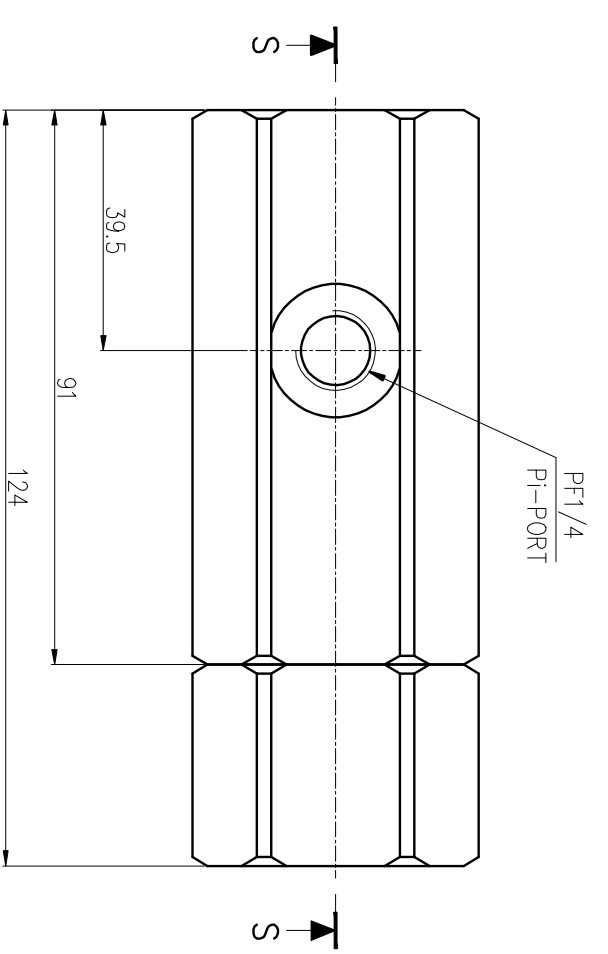


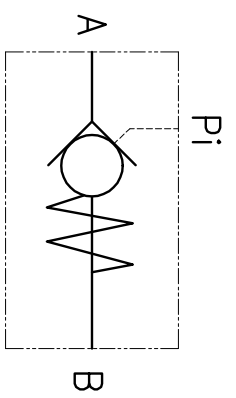
ITEM	DESCRIPTION	SIZE	MATERIAL	Q'TY	REMARKS



* 회로 타각 할 것.

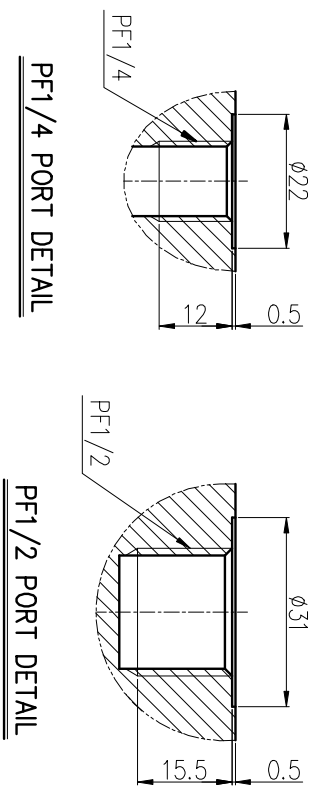
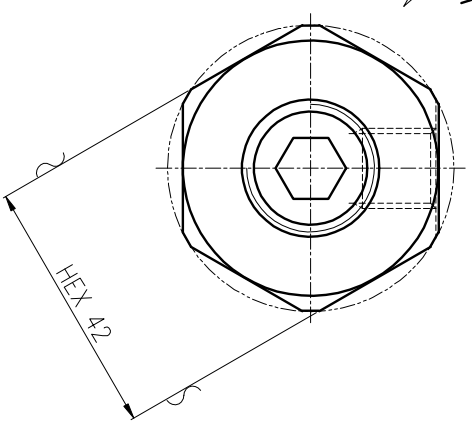
SPECIFICATION

- 최고사용압력 : 300 kgf/cm²
- 최대유량 : 45 l/min
- CRACKING 압력 : 1 kgf/cm²
- 면적비 - 4.4:1
- TORQUE 범위 : 1,800~2,000 kgf.cm
- 형식기호설명 :



SECTION S-S

VIEW "A"



ITEM	DESCRIPTION	DRAWING NO	MATERIAL	Q'TY	REMARKS
11	NAME PLATE	8842597		1	
10	O-RING			1	ASS568-013A
9	O-RING			1	ASS568-021A
8	PISTON SPRING	8842596		1	
7	PISTON	8831227		1	
6	CHECK SPRING	8842595		1	
5	CHECK	8842593		1	
4	막음 PLUG	8842594		1	PF1/2
3	O-RING			1	1BP26
2	CHECK PLUG	8831226		1	M30xP1.5
1	BODY	8831225		1	

주식회사 덕인공업 DUKIN INDUSTRIES CO., LTD.

PLANT: STANDARD FACILITY: LINE PI-CHECK VALVE

TITLE: LPC-04-10 (ASS'Y)

SCALE: N/S DATE: 2011.02

DIM: mm

REFERENCE DWG. NO.:

DRAWING NO.: 8831224

NO.	DATE	REVISIONS	Q'TY	CHARGE	APPROVED	DATE	SIGN
1	...						DESIGNED
2	...						CHECKED
3	...						REVIEWED
4	...						APPROVED
5	...						
6	...						