

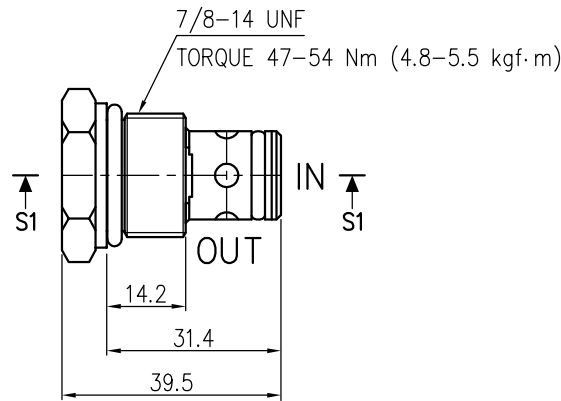
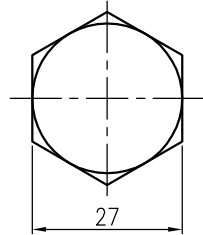
1

2

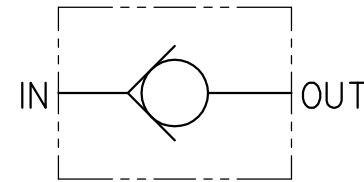
3

4

ITEM	DESCRIPTION	SIZE	MATERIAL	Q'TY	REMARKS
------	-------------	------	----------	------	---------

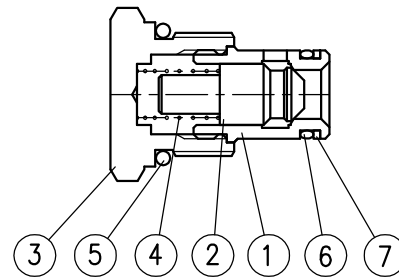


회로도



SPECIFICATION

- 1. 사용유 : ISO VG 46상당
- 2. 사용유온 : -10°C -120°C
- 3. 사용압력 : 210 kgf/cm²
- 4. 사용유량 : 45 l/min
- 5. 내부누유 1.5 DROP/min AT 210 kgf/cm²
- 6. 중량 : 0.08 kg



SECTION S1-S1

7	BACK UP RING			1	014용 1.2T
6	O-RING			1	AS568-014(Hs70)
5	O-RING			1	AS568-910(Hs90)
4	SPRING		8841200	1	
3	PLUG		8841203	1	
2	CHECK		8841201	1	
1	SLEEVE		8830471	1	
NO	DESCRIPTION	MATERIAL	DRAW.NO	Q'TY	REMARK

	...					주식회사 득인기공 DUKIN INDUSTRIES CO., LTD.	SCALE 1/1	DATE 2004.07				
	...						DIM mm					
	...						PLANT	FACILITY CARTRIDGE VALVE	REFERENCE DWG. NO.	REV		
	...						TITLE					
	...						CHECK VALVE ASS'Y		DRAWING NO.	REV		
...					SIGN	DESIGNED	CHECKED	REVIEWED	APPROVED	DISKETTE NO.	8830472	
NO.	DATE	REVISIONS	Q'TY	CHARGE	APPROVED	DATE						

1

2

3