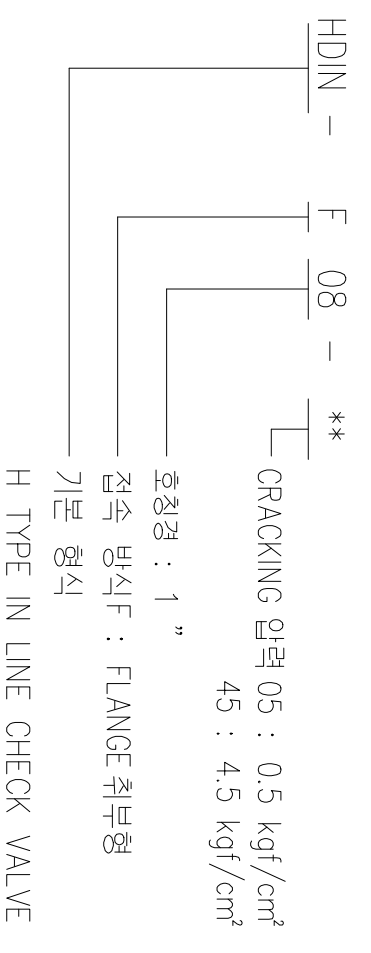


ITEM	DESCRIPTION	SIZE	MATERIAL	Q'TY	REMARKS
------	-------------	------	----------	------	---------

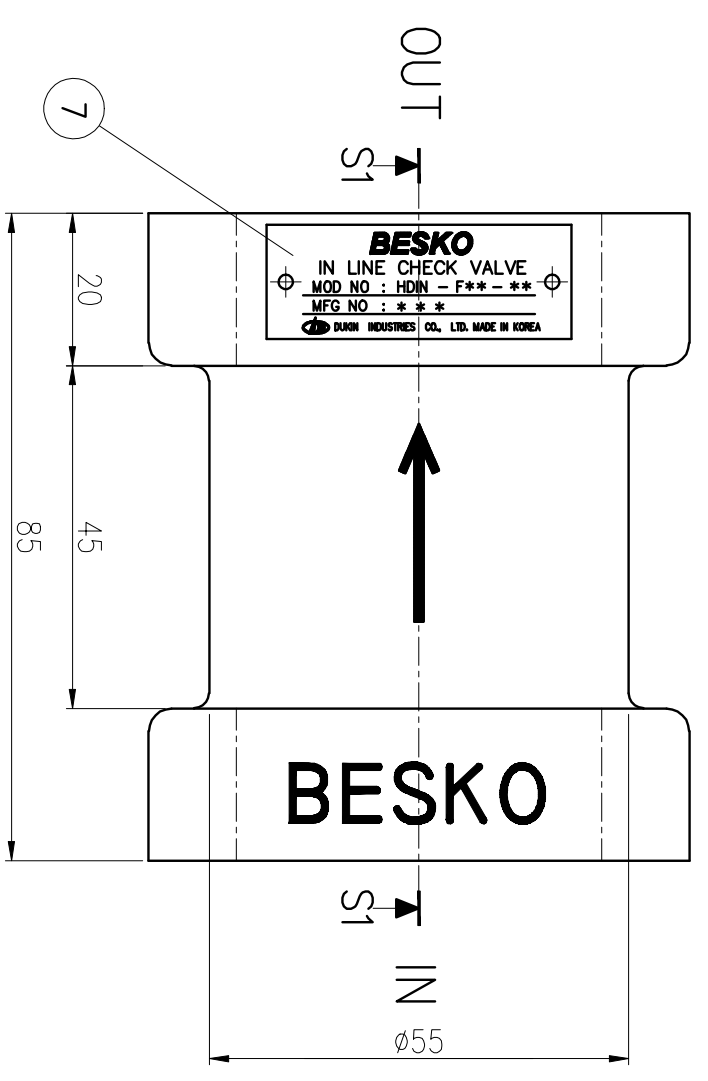
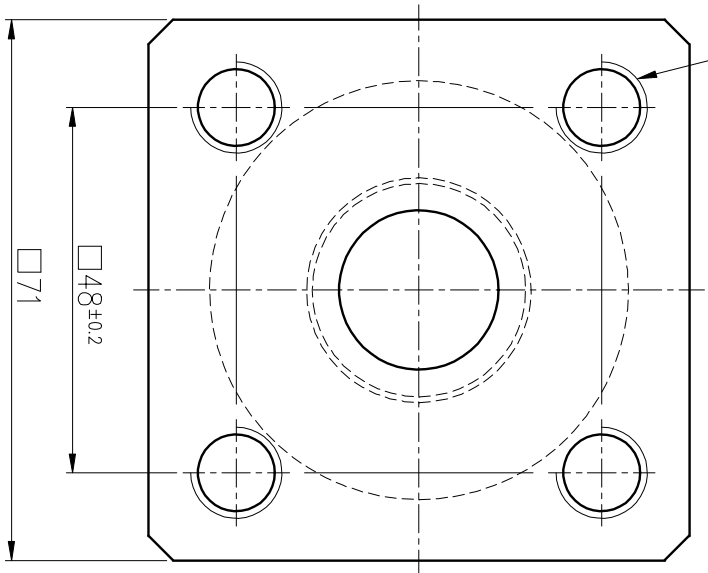
형식 기호 설명



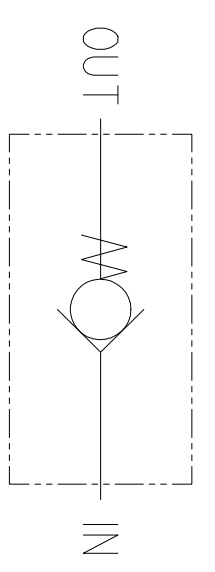
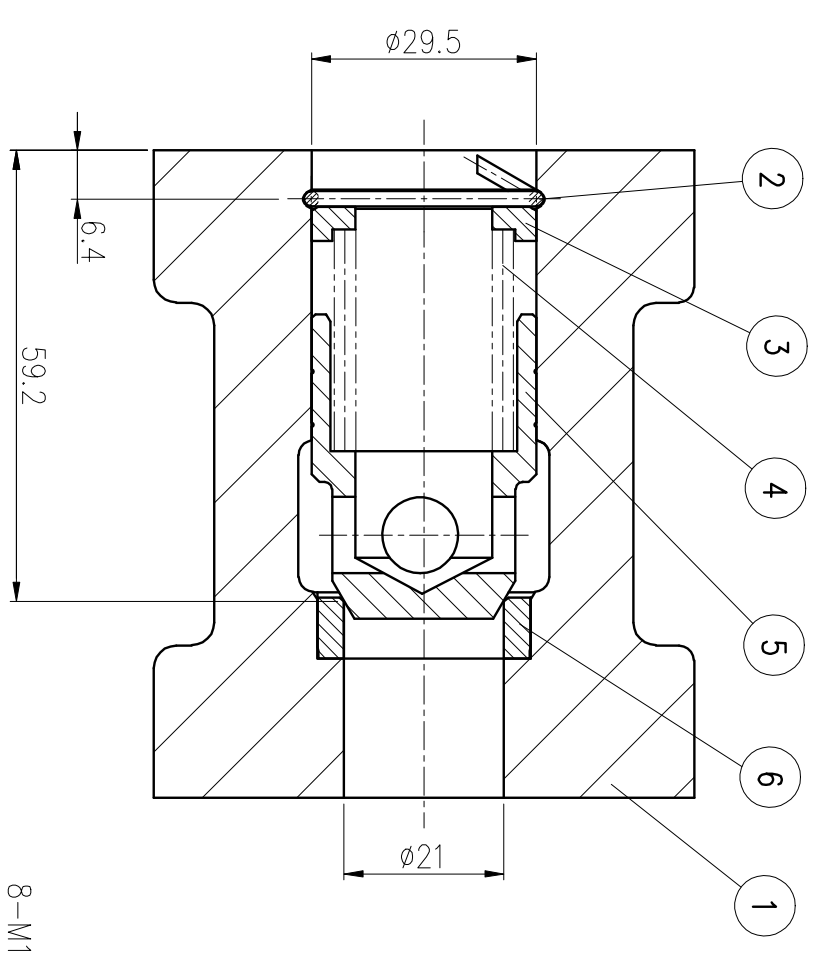
NOTE

1. 사용유 : ISO VG 46 상당
2. 최고사용압력 : 210 kgf/cm²
3. CRACKING 압력 : 0.5 kgf/cm²
4.5 kgf/cm²
4. 최대 유량 : 100 l/min
5. 도장 색 : MUNSELL NO 3.9B-5.2/3.6 (하늘색)

NO	DESCRIPTION	MATERIAL	DRAW.NO	Q'TY	REMARK
7	NAME PLATE		8842489	1	
6	SEAT		8842571	1	
5	CHECK		8841146	1	
4	SPRING		8841149	(1)	CR:4.5K
			8841148	(1)	CR:0.5K
3	SPACER		8841147	1	
2	RETAIN RING		8841198	1	
1	BODY		8831187	1	



SECTION S1-S1



BESKO
IN LINE CHECK VALVE
MOD NO : HDIN - F** - **
MFG NO : * * *
DUNKIN INDUSTRIES CO., LTD. MADE IN KOREA

BESKO



PLANT STANDARD FACILITY
TITLE IN LINE CHECK VALVE
HDIN-F08-** (ASS'Y)

NO.	DATE	REVISIONS	Q'TY	CHARGE	APPROVED	DATE	SIGN
1	...						DESIGNED
2	...						CHECKED
3	...						REVIEWED
4	...						APPROVED
5	...						
6	...						

SCALE	1/1	DATE	2011.02
DWG	mm	REFERENCE DWG. NO.	
DRAWING NO.	8831188		
REV	REV		

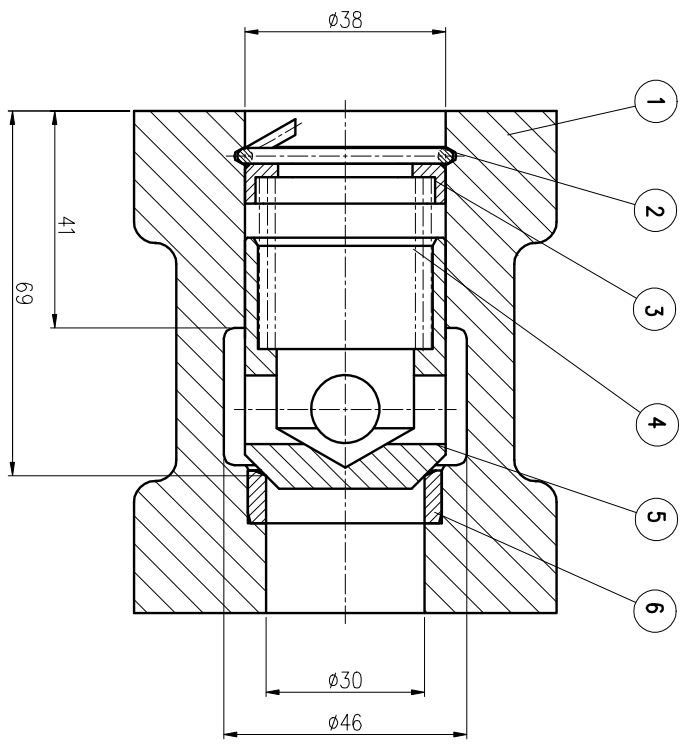
A B C

A B C

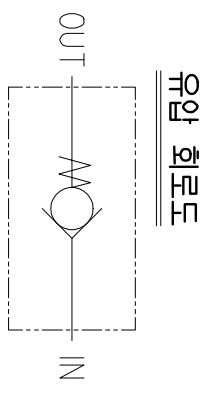
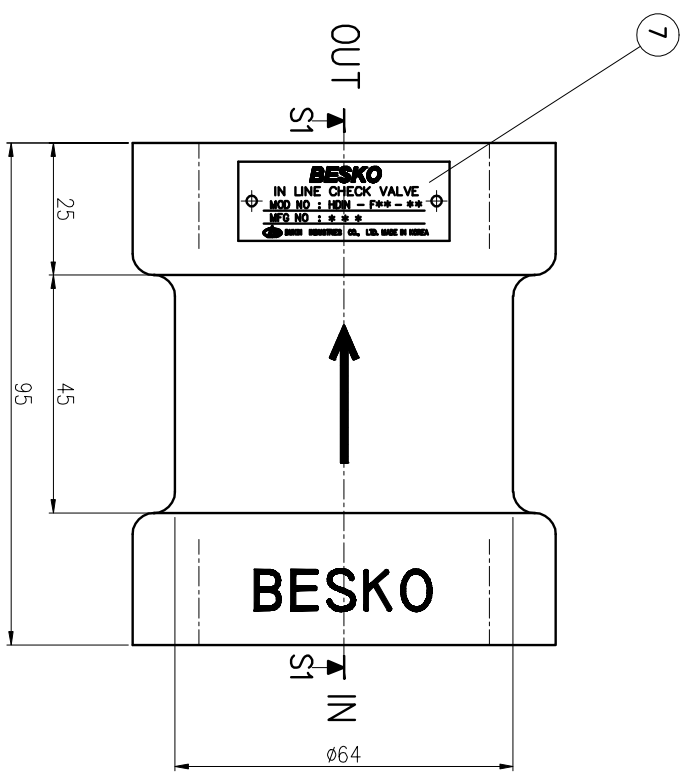
A3 (420x297)

덕인공업

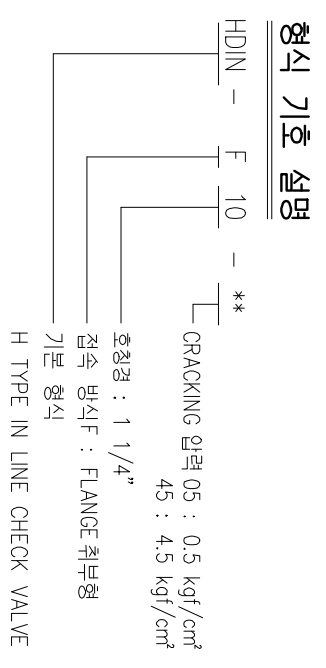
ITEM	DESCRIPTION	SIZE	MATERIAL	Q'TY	REMARKS
------	-------------	------	----------	------	---------



SECTION S1-S1



유압 회로도

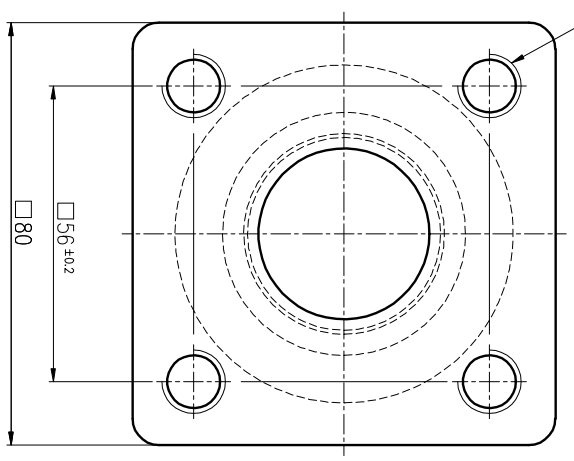


형식 기호 설명

NOTE

1. 사용유 : ISO VG 46 상당
2. 최고사용압력 : 210 kgf/cm²
3. CRACKING 압력 : 0.5 kgf/cm²
4.5 kgf/cm²
4. 최대 유량 : 190 l/min
5. 도장 색 : MUNSELL NO 3.9B-5.2/3.6 (하늘색) △x1

8-M12 D/R 관통
TAP DP 20



NO	DESCRIPTION	MATERIAL	DRAWING NO	Q'TY	REMARK
7	NAME PLATE		8842489	1	
6	SEAT		8842572	1	
5	CHECK		8842534	1	
4	SPRING		8842567-1 (1)	1	CR: 4.5K
			8842533-1 (1)	1	CR: 0.5K
3	SPACER		8842531	1	
2	RETAIN RING		8842532	1	
1	BODY		8820647	1	

주방용 덕인기공 DUKIN INDUSTRIES CO., LTD.

PLANT: STANDARD FACILITY: INLINE CHECK VALVE

TITLE: HDIN-F10-** (ASS'Y)

SCALE: 1/1 DATE: 2011.02

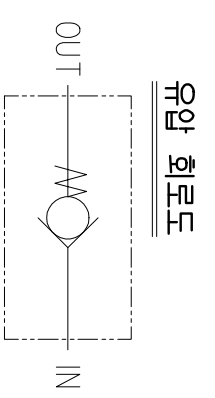
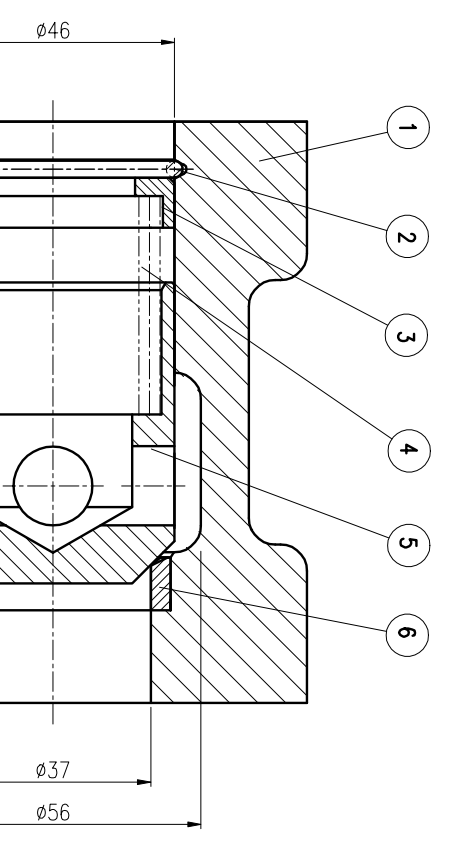
DM: mm

REFERENCE DWG. NO.

DRAWING NO: 8820649

NO	DATE	REVISIONS	Q'TY	CHANGE	APPROVED	DATE	DESIGNED	CHECKED	REVIEWED	APPROVED	DISKETTE NO.	REV
△	...											
△	...											
△	...											

ITEM	DESCRIPTION	SIZE	MATERIAL	Q'TY	REMARKS
------	-------------	------	----------	------	---------



형식 기호 설명

HDIN - F 12 - **

CRACKING 압력 05 : 0.5 kgf/cm²
45 : 4.5 kgf/cm²

호칭경 : 1 1/2"

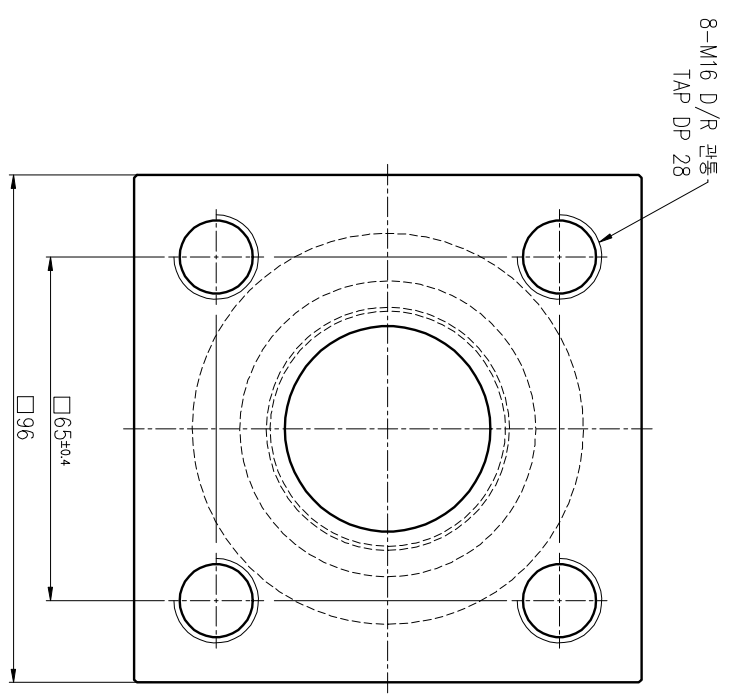
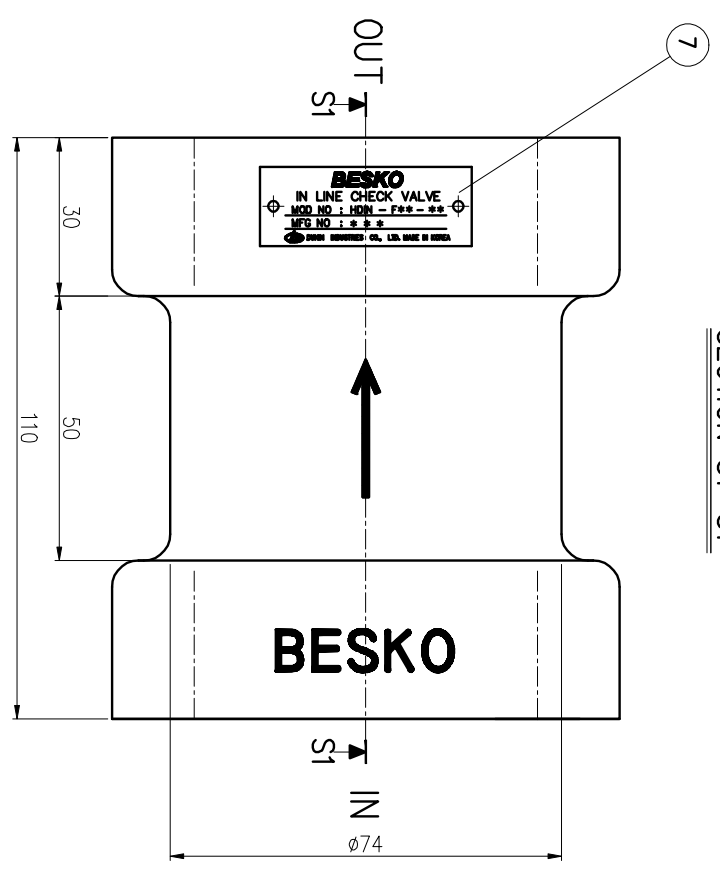
접속 방식 F : FLANGE 좌부형

기본 형식

H TYPE IN LINE CHECK VALVE

NOTE

1. 사용유 : ISO VG 46 상당
2. 최고사용압력 : 210 kgf/cm²
3. CRACKING 압력 : 0.5 kgf/cm²
4.5 kgf/cm²
4. 최대 유량 : 240 l/min
5. 도장 색 : MUNSELL NO 3.9B-5.2/3.6 (하늘색)



NO	DESCRIPTION	MATERIAL	DRAWN/NO	Q'TY	REMARK
7	NAME PLATE		8842489	1	
6	SEAT		8842573	1	
5	CHECK		8842568	1	
4	SPRING		8842566 (1)	1	CR: 4.5K
3	SPACER		8842480 (1)	1	CR: 0.5K
2	RETAIN RING		8842478	1	
1	BODY		8842479	1	
			8820648	1	

<p>주식회사 덕인공업 DUKIN INDUSTRIES CO., LTD.</p>		<p>SCALE: 1/1</p> <p>DATE: 2011.02</p>
PLANT: STANDARD	FACILITY: INLINE CHECK VALVE	REFERENCE DWG. NO.
TITLE: HDIN-F12-** (ASS'Y)		DRAWING NO: 8820650
DESIGNED: [Signature]	CHECKED: [Signature]	APPROVED: [Signature]
DATE: [Date]	DATE: [Date]	DATE: [Date]
REVISIONS	Q'TY	CHANGE
NO	DATE	APPROVED

A B C D 1 2 3 4 5