

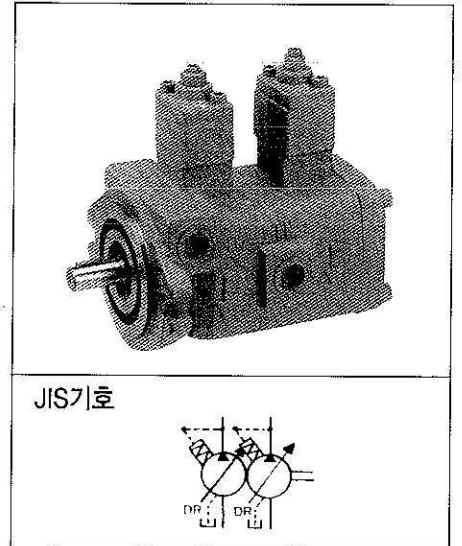
## VARIABLE DOUBLE VANE PUMP

## VPD-2020, 3030 SERIES

### ▣ 형식기호설명

VPD-\*\*\*-32-\*\*\*

- design번호
- cover측 압력조정범위
- shaft측 압력조정범위
- 1 : 10 ~ 20kgf/cm<sup>2</sup>
- 2 : 15 ~ 35kgf/cm<sup>2</sup>
- 3 : 30 ~ 70kgf/cm<sup>2</sup>
- cover측 유량
- 20 : 20 ℓ/min at 1,800rpm
- 30 : 30 ℓ/min
- shaft측 유량
- 20 : 20 ℓ/min at 1,800rpm
- 30 : 30 ℓ/min
- 기본형식



### ▣ 사양

| 형식기호     | 토출량(Q /min) |         | 회전수(rpm) |          | 최고설정압(kgf/cm <sup>2</sup> ) |         | 순간최고압(kgf/cm <sup>2</sup> ) |         |
|----------|-------------|---------|----------|----------|-----------------------------|---------|-----------------------------|---------|
|          | shaft 측     | cover 측 | shaft 측  | cover 측  | shaft 측                     | cover 측 | shaft 측                     | cover 측 |
| VPD-2020 | max 20      | max 20  | max 1800 | max 1800 | max 50                      | max 50  | max 70                      | max 70  |
| VPD-3030 | max 30      | max 30  | max 1800 | max 1800 | max 50                      | max 50  | max 70                      | max 70  |

### ▣ 외형치수도

